



# 15PF-8 15" PAPER CONE FOAM SURROUND WOOFER

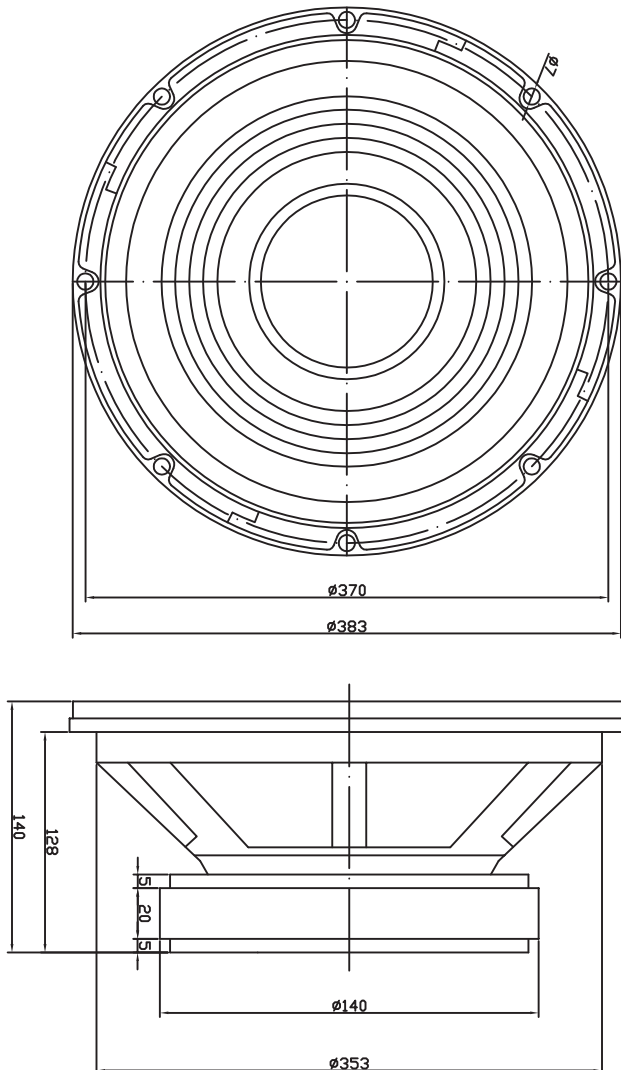
## FEATURES

- Perfect for use in sealed and infinite baffle designs
- Poly-laminated paper cone, treated foam surround, and polymer dust cap
- Smooth frequency response with minimal cone breakup
- Great replacement speaker

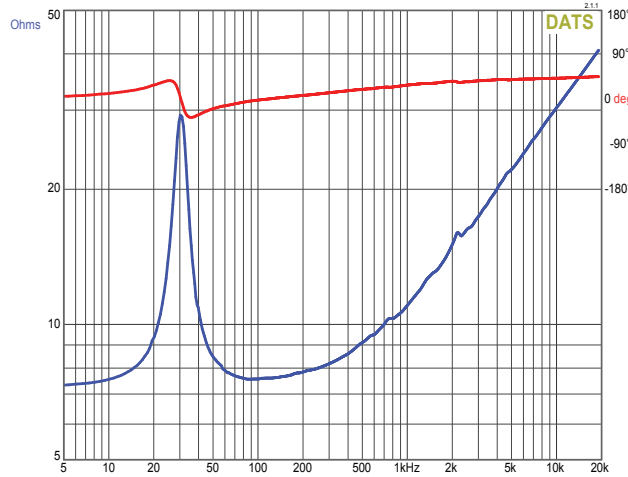
## PARAMETERS

Impedance	8 ohms
Re	7.3 ohms
Le	1.3 mH
Fs	30 Hz
Qms	5.75
Qes	1.91
Qts	1.43
Mms	119.3 g
Cms	0.23 mm/N
Sd	825.6 cm <sup>2</sup>
Vd	330 cm <sup>3</sup>
BL	9.3 Tm
Vas	223.9 liters
Xmax	4 mm
VC Diameter	38 mm
SPL	88 dB @ 2.83V/1m
RMS Power Handling (AES 426B)	150 watts
Usable Frequency Range (Hz)	25 - 4,000 Hz

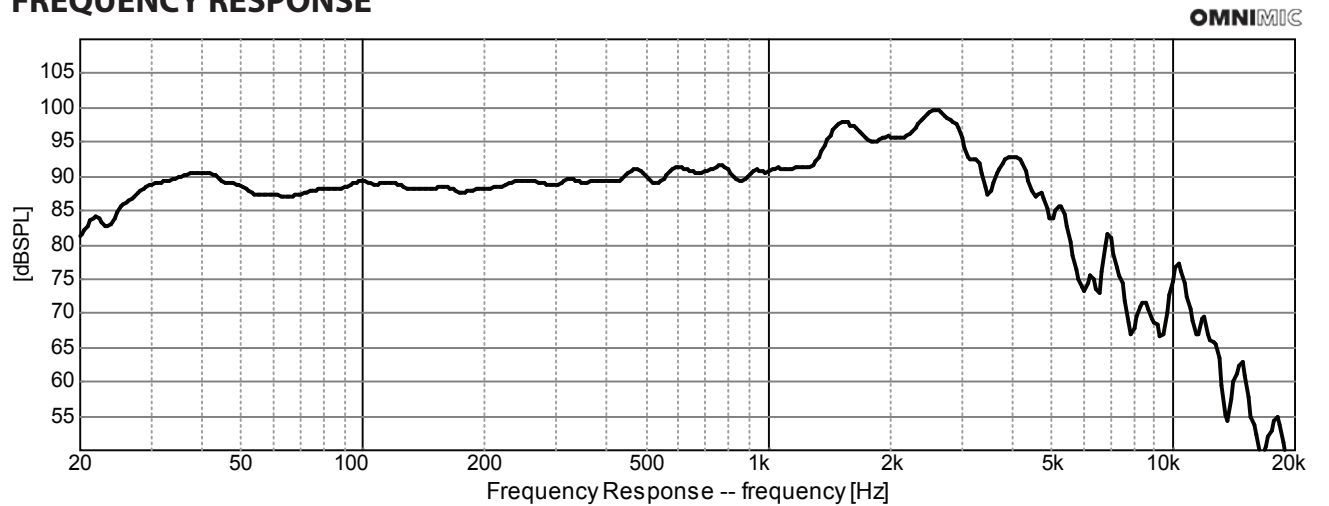
## MECHANICAL DRAWING



## IMPEDANCE/PHASE



## FREQUENCY RESPONSE



Note: 1/24<sup>th</sup> octave smoothing - nearfield response included in graph below 450 Hz.