



5SBM1-8
5-1/4" SEALED BACK
MIDRANGE WITH
1" VOICE COIL
8 OHM

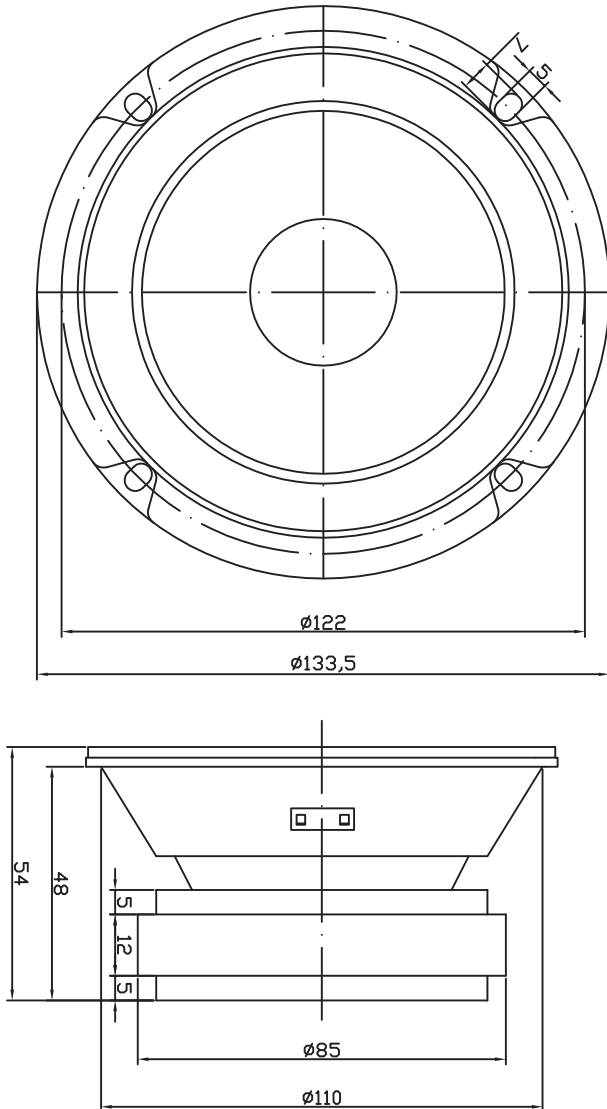
FEATURES

- Sealed back design allows for cabinet installation without a separate midrange enclosure
- Treated paper cone and foam surround for a natural sound
- 1" high temperature aluminum voice coil allows high power handling
- Great replacement speaker

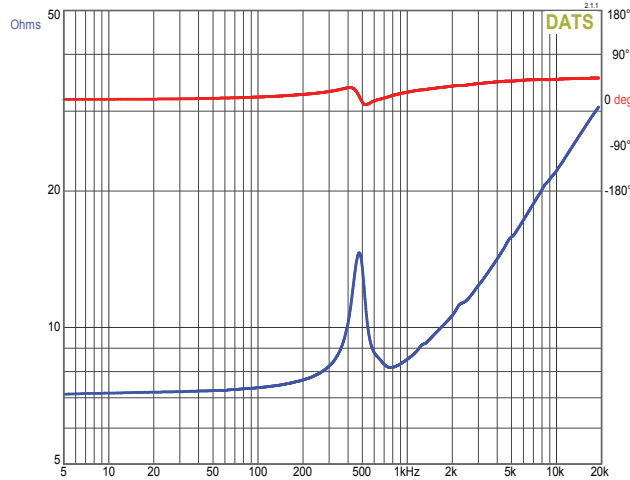
PARAMETERS

| | |
|-------------------------------|------------------|
| Impedance | 8 ohms |
| Re | 7.1 ohms |
| Le | 0.8 mH |
| Fs | 475 Hz |
| Qms | - |
| Qes | - |
| Qts | - |
| Mms | - |
| Cms | - |
| Sd | - |
| Vd | - |
| BL | - |
| Vas | - |
| Xmax | - |
| VC Diameter | 25 mm |
| SPL | 91 dB @ 2.83V/1m |
| RMS Power Handling (AES 426B) | 100 watts |
| Usable Frequency Range (Hz) | 500 - 10,000 Hz |

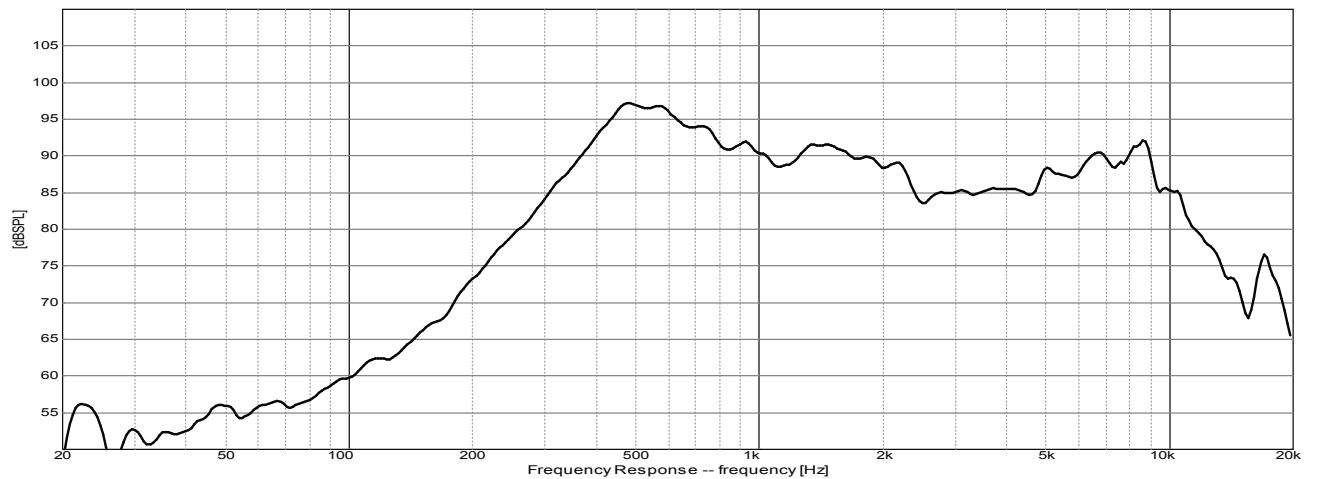
MECHANICAL DRAWING



IMPEDANCE/PHASE



FREQUENCY RESPONSE



Note: 1/24th octave smoothing - nearfield response included in graph below 450 Hz.