



4FR-8
FULL-RANGE
4-1/2" SPEAKER
PIONEER TYPE
A11EC80-02F

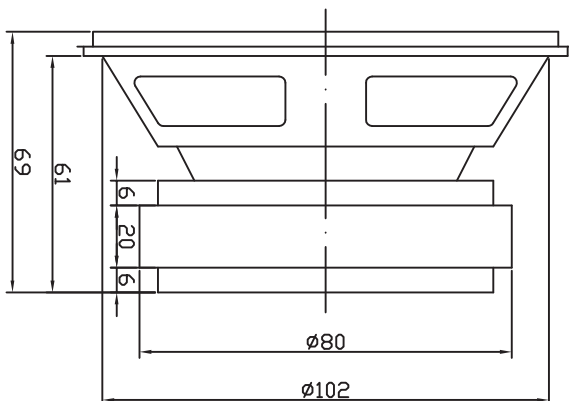
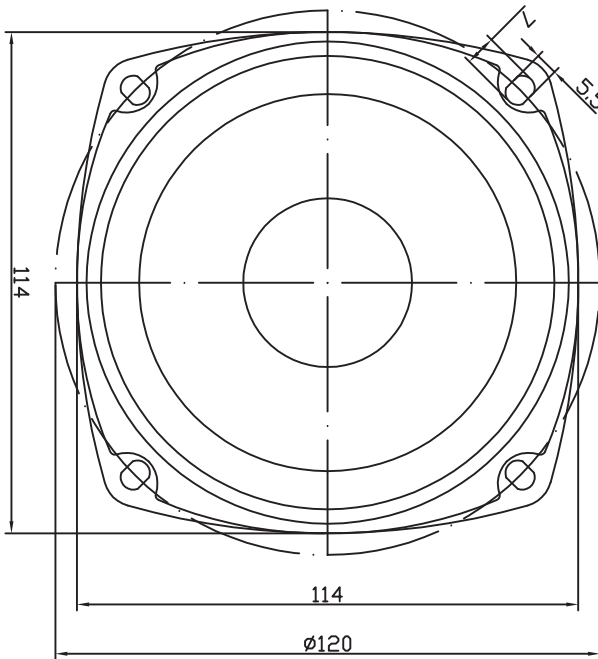
FEATURES

- Replacement for Pioneer A11EC80-02F
- Extended bandwidth and high sensitivity
- Natural-sounding paper cone
- Quality GRS construction
- Great replacement speaker

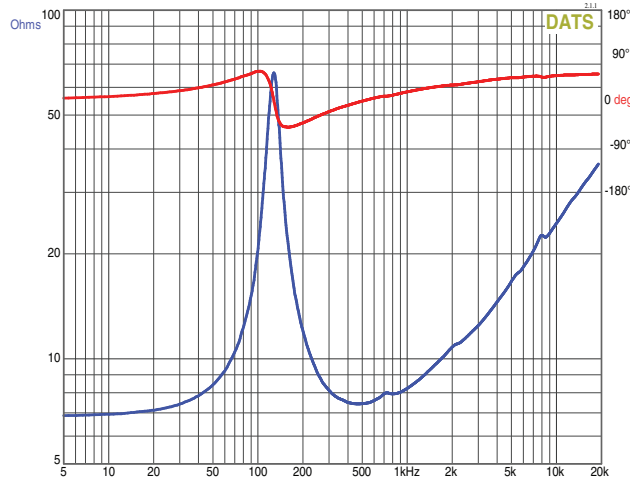
PARAMETERS

Impedance	8 ohms
Re	6.9 ohms
Le	0.7 mH
Fs	127 Hz
Qms	6.71
Qes	0.78
Qts	0.70
Mms	5.8 g
Cms	0.27 mm/N
Sd	66.1 cm ²
Vd	7 cm ³
BL	6.4 Tm
Vas	1.7 liters
Xmax	1 mm
VC Diameter	25 mm
SPL	89 dB @ 2.83V/1m
RMS Power Handling (AES 426B)	15 watts
Usable Frequency Range (Hz)	100 - 10,000 Hz

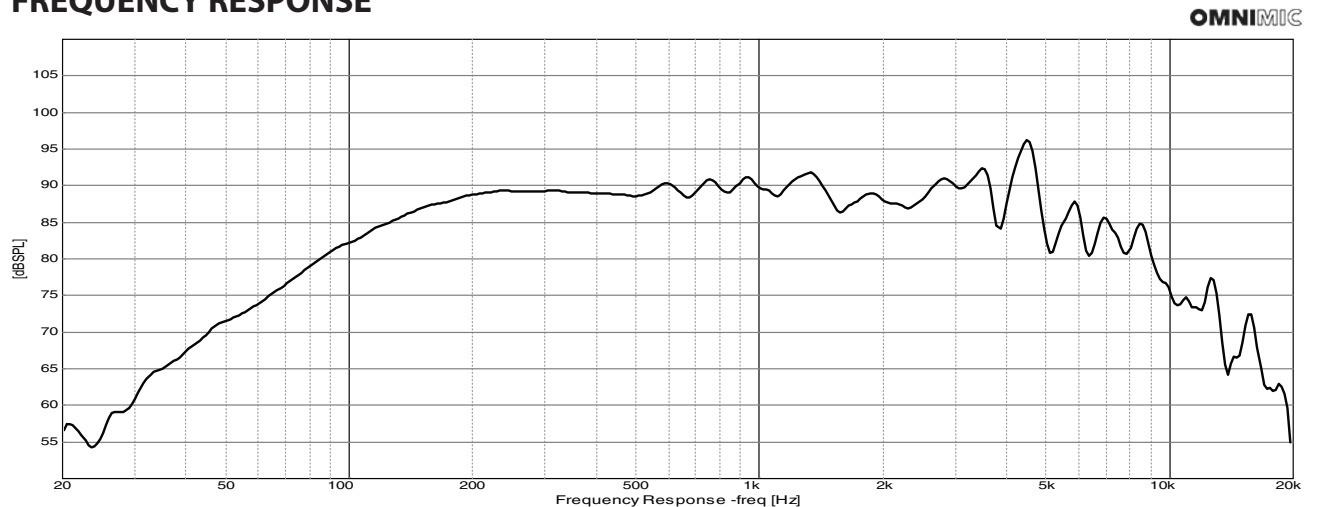
MECHANICAL DRAWING



IMPEDANCE/PHASE



FREQUENCY RESPONSE



Note: 1/24th octave smoothing - nearfield response included in graph below 450 Hz.