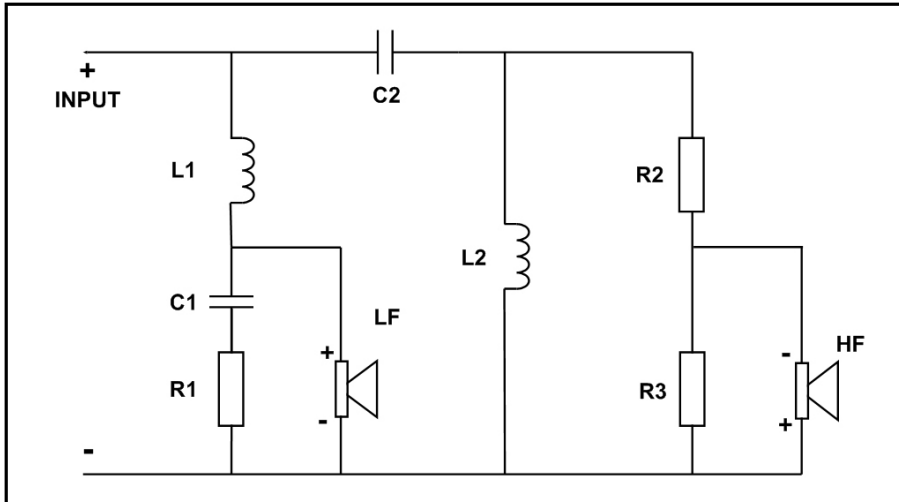


SUGGESTED CROSSOVER DESIGN

TFX0515

5-inch pressed steel chassis
ferrite magnet, coaxial driver

Crossover Circuit Diagram



Crossover Circuit Components

	Component	Value	Description	Additional
L ₁	Inductor	0.75mH	Air-cored	<0.3Ω
L ₂	Inductor	0.8mH	Air-cored	<0.3Ω
C ₁	Capacitor	12μF	Polyprop, non-polarised	5%>250V
C ₂	Capacitor	3.9μF	Polyprop, non-polarised	5%>250V
R ₁	Resistor	2.2Ω	Ceramic, wirewound	>11W
R ₂	Resistor	3.3Ω	Ceramic, wirewound	>11W
R ₃	Resistor	8.2Ω	Ceramic, wirewound	>11W

General Specifications

Power rating: LF..... 150W (AES Standard)
 Power rating: HF..... 10W (AES Standard)
 Nominal Impedance: LF..... 8Ω
 Nominal Impedance: HF..... 8Ω
 Sensitivity: LF..... 89dB
 Sensitivity: HF..... 96dB
 Frequency response..... 80Hz-20,000Hz
 Crossover frequency..... 2000Hz

Suggested Cabinet Alignment

Volume (Vb)..... 3.5lt/0.12ft³
 Tuning frequency (Fb)..... 80Hz
 Vent diameter (Vd)..... 30mm/1.2in
 Vent length (Vl)..... 85mm/3.4in

Driver Mounting Information

Overall diameter: 151mm/5.9in(max)
 Overall depth..... 72mm/2.8in
 Terminal: LF..... Spade, 6.3mm/0.25in
 Terminal: HF..... Spade, 6.3mm/0.25in
 Cut-out diameter..... 116mm/4.6in
 Mounting slot dimensions..... Ø4.5mm/0.18in
 Number of mounting slots..... 4
 Mounting PCD 140mm/5.5in
 Unit weight..... 1.6kg/3.5lb

