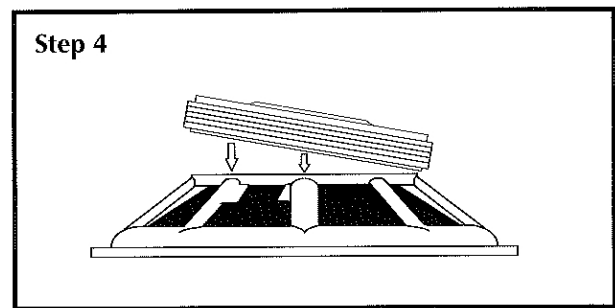
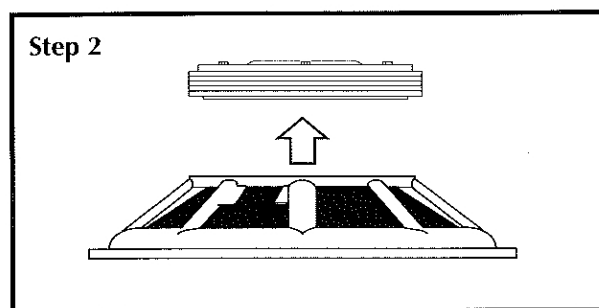
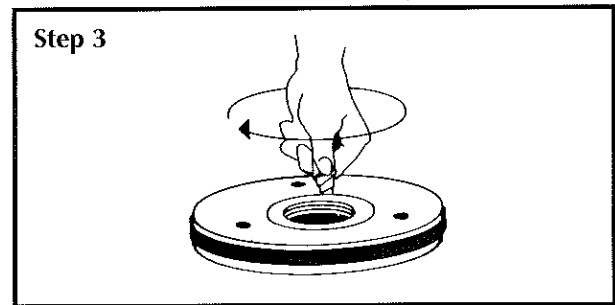
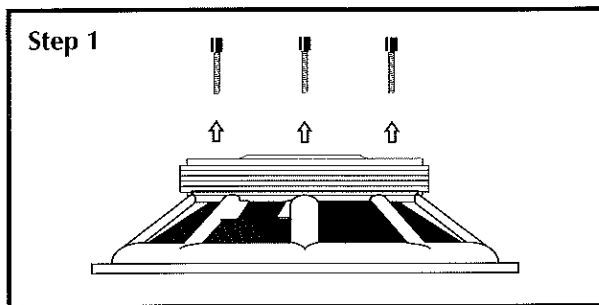


The Black Widow®/Super Structure™ remains far ahead of any of its competitors because of its performance and unique design. The cone/basket assembly is field replaceable. The value of this exclusive and unique feature is obvious. No more reconing with all the worrying about whether it was done "like the factory did it." No more carrying complete and expensive replacement loudspeakers. With the Black Widow®/Super Structure™, lightweight and relatively inexpensive replacement basket assemblies are all that is needed. The replacement basket assemblies come straight from the factory so the assurance of high quality parts and workmanship comes with each assembly.

REPLACEMENT OF SPEAKER BASKET ASSEMBLY


NOTE: Prior to replacement procedure, clean work area of all metal objects and other debris.

1. With speaker lying face down, remove the three screws on back of magnet structure with 7/16" nut driver.
2. After screws are removed, lift the magnet structure off the basket frame.
3. Clean the voice coil "gap" before magnet structure is put on new replacement basket (as shown below). Fold a piece of masking tape over on itself several times, sticky side out, and insert it into the voice coil "gap." Run it all the way around the "gap" several times to remove all particles of metal and other trash before magnet structure is put on new replacement basket.
4. Holding magnet structure in slanted position, gently lower the structure down onto the basket so that it rests inside the magnet structure counter bore, being sure to align the screw holes, and lower the structure down into place. Insert screws and tighten.



ONE-YEAR LIMITED WARRANTY: For details, refer to the warranty statement.

Copies of this statement may be obtained by contacting
Peavey Electronics Corporation, P.O. Box 2898, Meridian, MS 39302-2898.

 Logo referenced in Directive 2002/96/EC Annex IV (OJ(L)37/38, 13.02.03 and defined in EN 50419: 2005
The bar is the symbol for marking of new waste and is applied only to equipment manufactured after 13 August 2005

Features and specifications subject to change without notice.

Peavey Electronics Corporation • 5022 Hartley Peavey Drive • Meridian • MS • 39305 • (601) 483-5365 • FAX (601) 486-1278 • www.peavey.com
©1994 Printed in the U.S.A. 9/05 #80300099

