

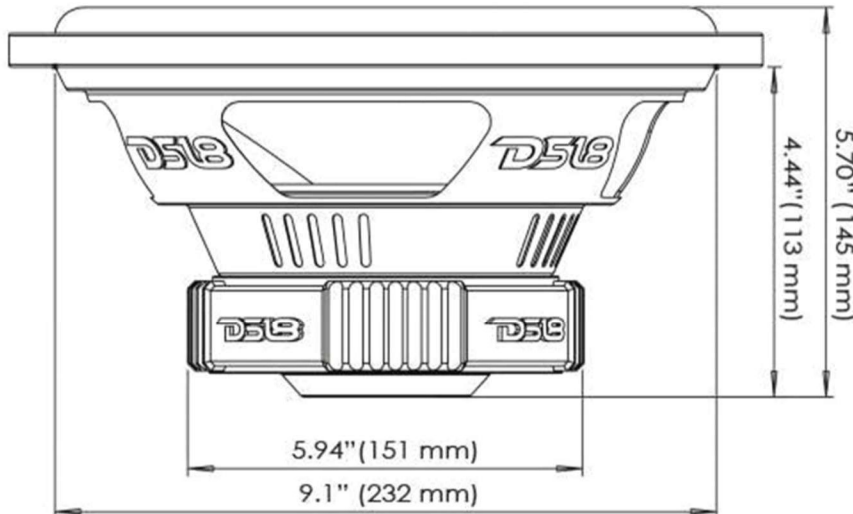
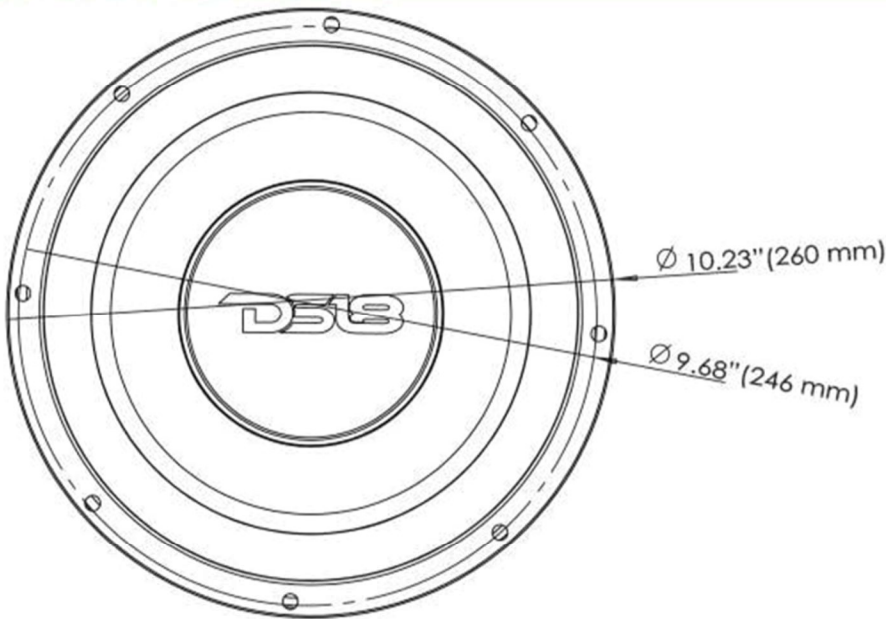
SLC-10S

10" SUBWOOFER SINGLE 4 OHMS

DS18

SELECT

DIMENSIONS



Specifications:

Overall Diameter	260mm(10.23in)
Baffle Cutout Diameter	232mm(9.13in)
Depth	113mm(4.45in)
Minimum Impedance	4 Ω
Rms Power Handling	220 W
Maximum Power Handling	440 W
Sensitivity (1w/1m)	88 dB
Frequency Response	40 - 4.5 KHZ
Voice Coil Diameter	50.8mm(2.0in)
Winding Material	CCAW
Magnet Weight	Ferrite 45 oz
Basket Material	Steel

DS18 SELECT



Measurements

Optimum Sealed (ft ³ / liters)	0.70ft ³ / 19.8L
Optimum Ported (ft ³ / liters)	1.09ft ³ / 30.8L
Displacement	0.04ft ³

Thiele & Small Parameters

Fs	40Hz
Re	3.6
Qes	0.891
Qms	5.878
Qts	0.774
Vas	37L
Xmax	17mm (0.67")



10" SUBWOOFER SINGLE 4 OHMS

SLC-10S