



PRO-TWX1

1" VOICE COIL ALUMINUM TWEETER WITH BULLET

Nominal Impedance: 4 ohms

Peak Power Handling: 240 Watts

Program Power Handling: 120 Watts

AES Rated Power Handling: 60 Watts

Sensitivity (1W/1W): 103 dB

Frequency Response: 3.5K-20Khz

Voice Coil Diameter: 1"

Diaphragm Material: Aluminum

Magnet Material: Ferrite

Body Material: Aluminum



PRO-TWX1

1" VOICE COIL ALUMINUM TWEETER WITH BULLET



OWNER'S MANUAL

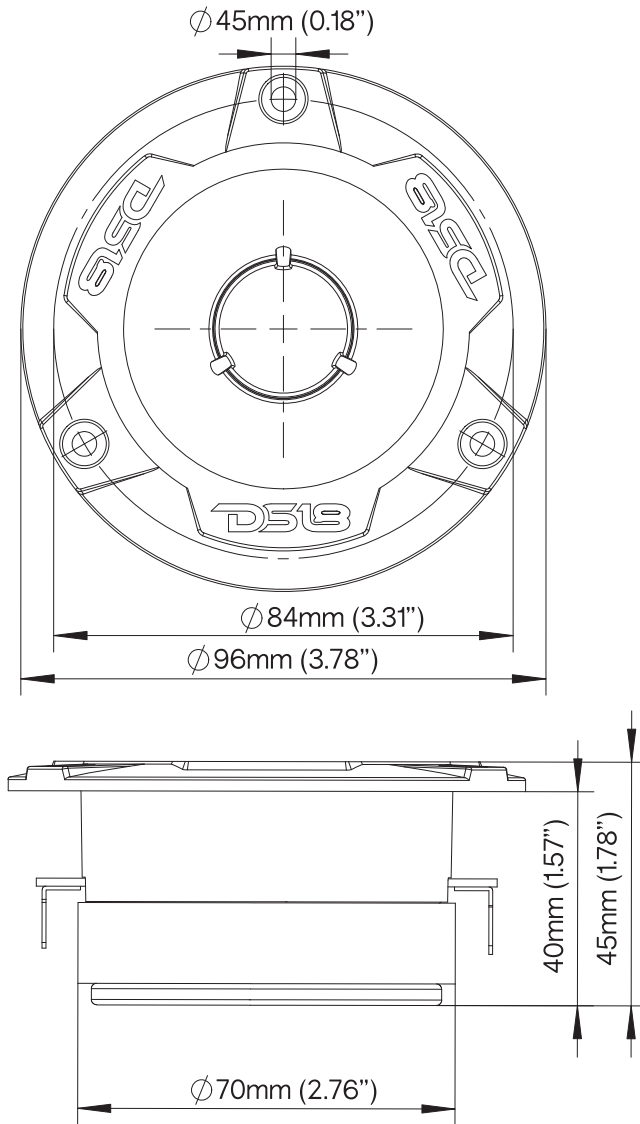
#WELIKEITLOUD    

WWW.DS18.COM



# PRO-TWX1

1" VOICE COIL ALUMINUM TWEETER WITH BULLET



## DATA SHEET

### SPECIFICATIONS:

Nominal Diameter .....	1"
Nominal Impedance .....	4 ohms
Peak Power Handling .....	240 Watts
Program Power Handling .....	120 Watts
AES Power Handling .....	60 Watts
Sensitivity (1W/1W) .....	103 dB
Frequency Response .....	3.5K-20Khz
Recommended HI Pass Crossover .....	2 KHz

### Motor

Voice Coil Diameter .....	1"
Voice Coil Former Material .....	Kapton
Winding Material .....	KCCAW
Diaphragm Material .....	Aluminum
Magnet Material .....	Ferrite
Body Material .....	Aluminum

### Measurement

Overall Diameter .....	3.78" / 96mm
Overall Depth .....	1.78" / 45mm
Front Mount Baffle Cutout .....	2.76" / 70mm
Mounting Depth .....	1.57" / 40mm

PRO-TWX1 1" VOICE COIL ALUMINUM TWEETER WITH BULLET