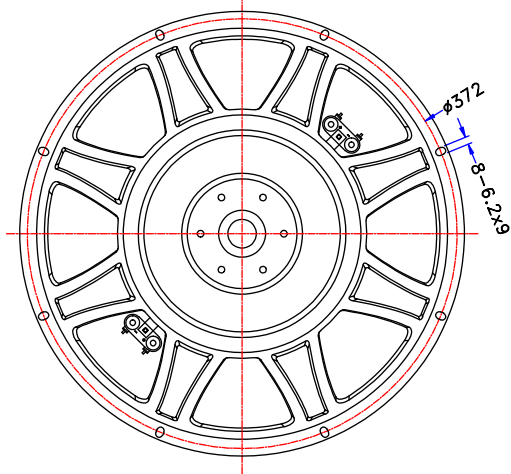
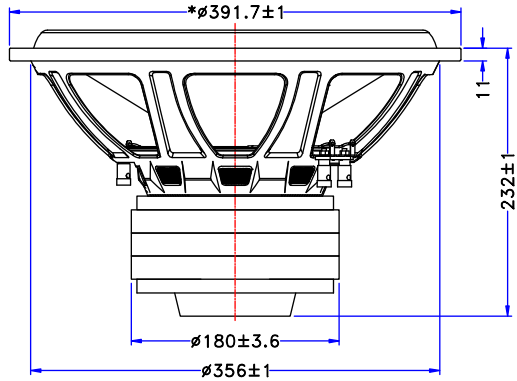




15" Max-X High Excursion DVC Subwoofer 2 Ohms Per Coil

MX15-22



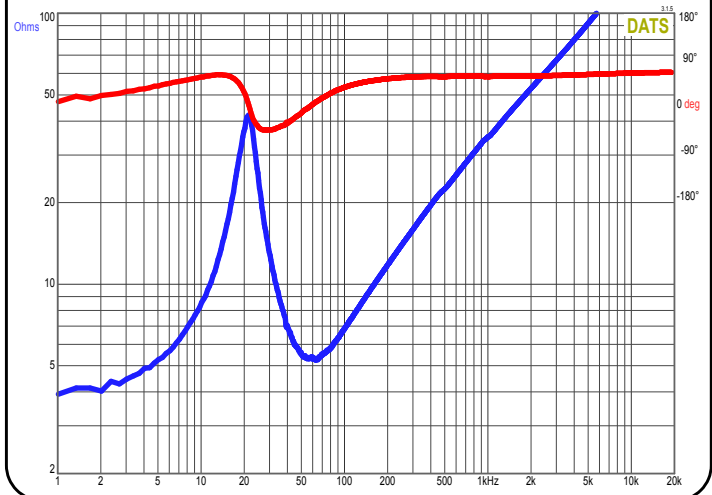
PARAMETERS

Impedance	2+2 ohms
Re	3.99 ohms
Le	5.51 mH @ 1 kHz
Fs	21.7 Hz
Qms	4.27
Qes	0.46
Qts	0.40
Mms	348 g
Cms	0.16 mm/N
Sd	819.8 cm ²
Vd	1558 cm ³
BL	20.6 Tm
Vas	146 liters
Xmax	19 mm
XBL (Klippel verified excursion @ 70% BL)	24.4 mm
VC Diameter	2.5"
SPL	90.2 @ 2.83V/1m
RMS Power Handling	800 watts
Usable Frequency Range	18 - 400 Hz

FEATURES

- High excursion and maximized surface area for excellent displacement capability
- Seamless dish cone is extremely rigid and durable with a sleek and modern look
- Custom tooled surround allows long throw without sacrificing cone area
- Extensive venting cools the voice coil enabling high power handling with low power compression
- Dual spiders maintain linear excursion for lower distortion even when pushed to the limit
- The dual 2 ohm voice coils give you the ability to get the most out of any amplifier

IMPEDANCE/PHASE



FREQUENCY RESPONSE

