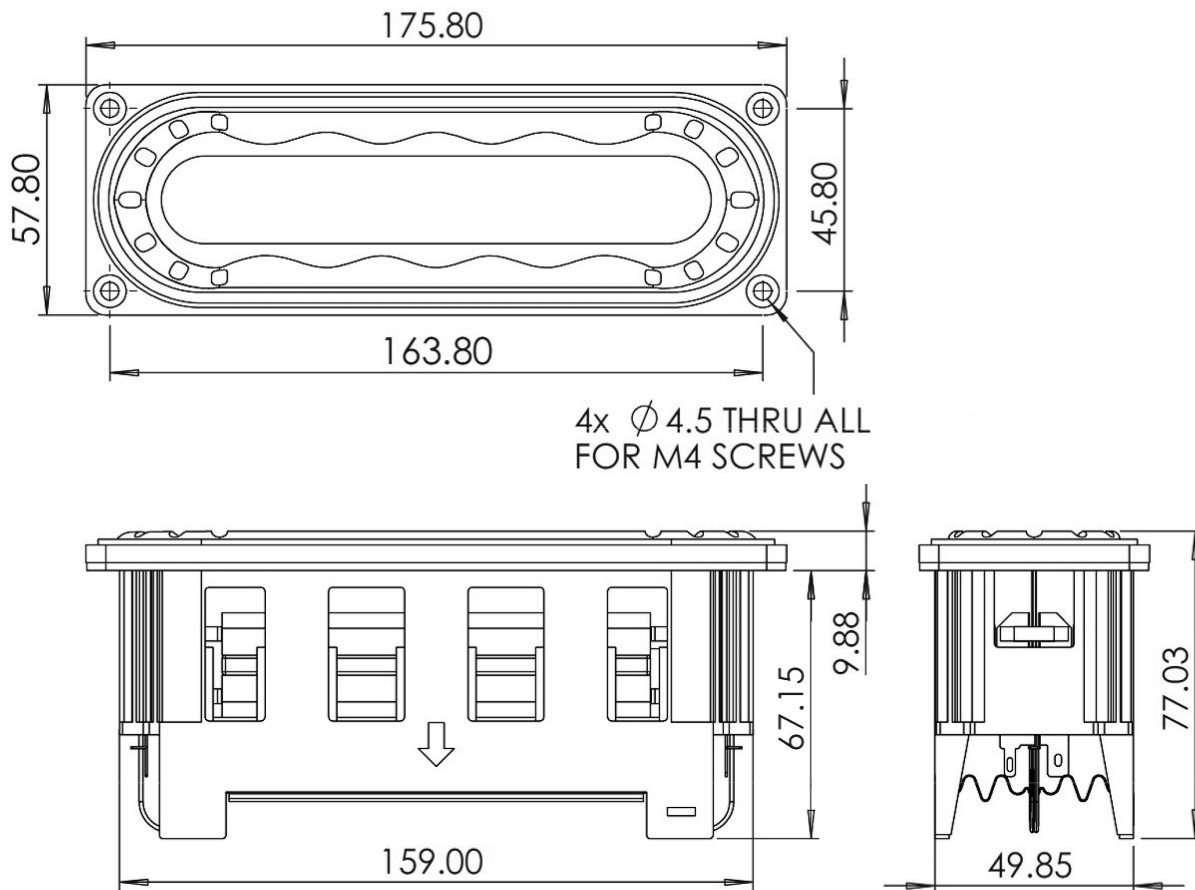




## 2" x 7" Res-Core™ Neodymium Woofer 4 Ohm

RC180-55



### FEATURES

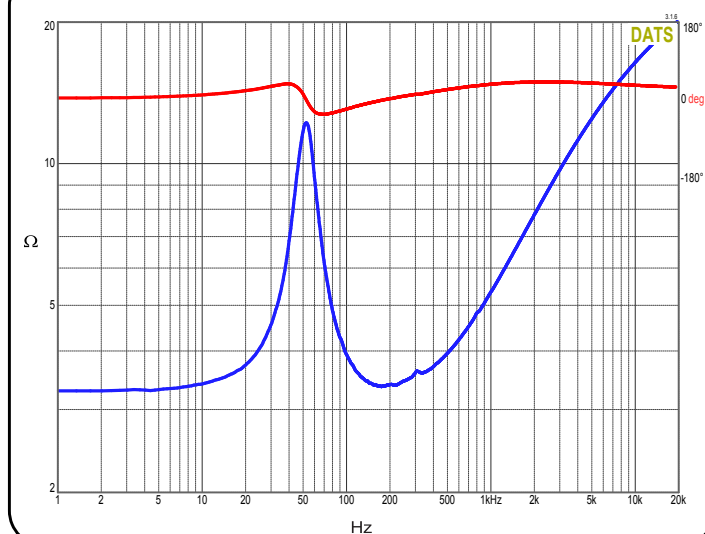
- Patented Res-Core™ technology turns the voice coil on its side for higher displacement and improved frequency response
- Powerful quad gap neodymium motor keeps motor force constant beyond  $\pm 4.5$  mm of excursion
- Fully supported diaphragm minimizes breakup for extremely smooth response with low distortion
- Long throw surround and huge rear mounted spider for unrestricted excursion with incredible linearity
- Completely open design offers unmatched airflow and efficient cooling to allow high power handling
- Perfect for compact systems that need to deliver powerful low frequency response

### PARAMETERS

Impedance	4 ohms
Re	3.3 ohms
Le	0.1 mH
Fs	52 Hz
Qms	3.31
Qes	1.23
Qts	0.89
Mms	20.1g
Cms	0.46 mm/N
Sd	56.4 cm <sup>2</sup>
Vd	26.5 cm <sup>3</sup>
BL	4.23 Tm
Vas	2.04 liters
Xmax	4.7 mm*
VC Diameter	N/A
SPL	79.6 dB @ 2.83V/1m
RMS Power Handling (AES 426B)	35 watts
Usable Frequency Range (Hz)	50 - 2,500 Hz

\*Xmax @ 82% BL

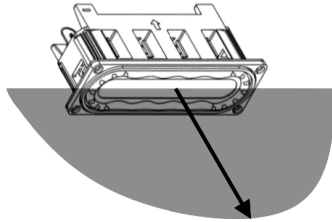
### IMPEDANCE/PHASE



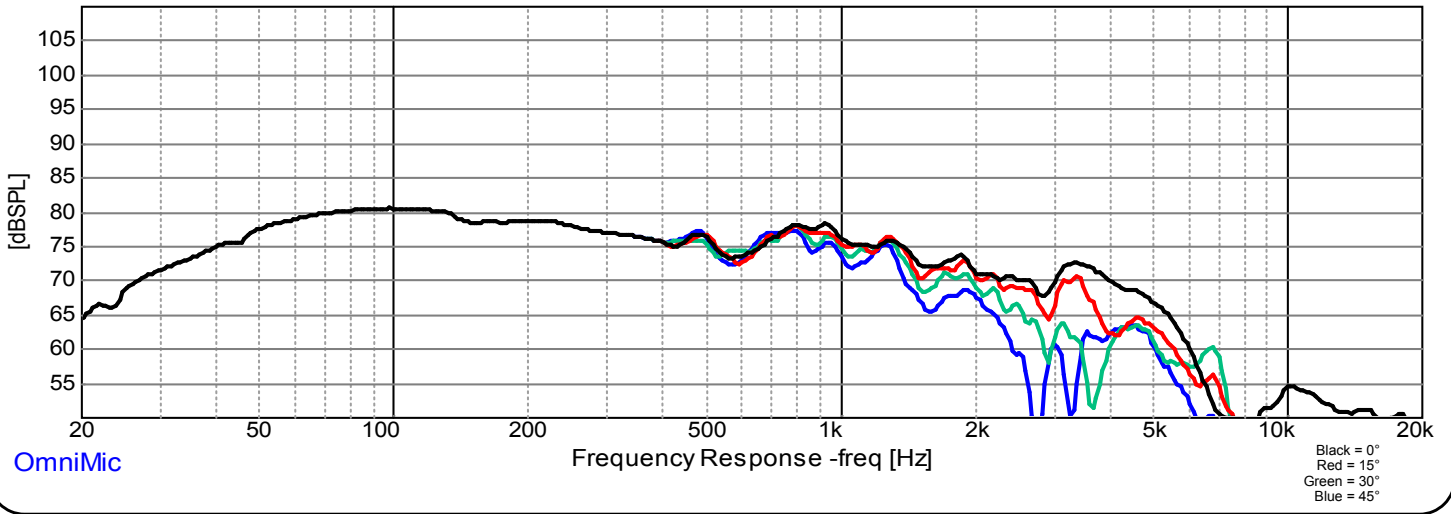


2" x 7" Res-Core™ Neodymium Woofer 4 Ohm  
RC180-55

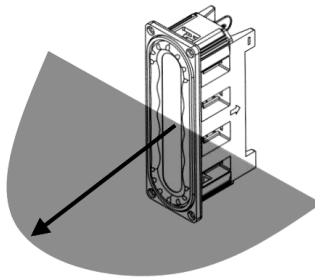
Horizontal Orientation



FREQUENCY RESPONSE



Vertical Orientation



FREQUENCY RESPONSE

