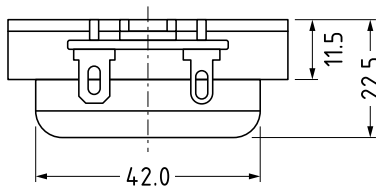
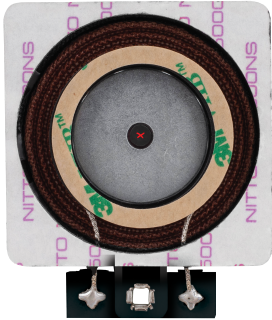
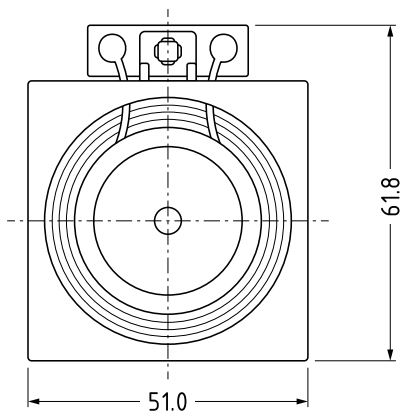




DAEX32SQ-8 Square Frame 32mm Exciter 10W 8 Ohm

DAEX32SQ-8



PARAMETERS

Impedance	8 ohms
Re	8.0 ohms
Le	0.51 mH @ 10k Hz
Fs	481 Hz
Qms	10.36
Qes	1.30
Qts	1.15
Mms	3.4 gms
Cms	0.32 mm/N
Sd	N/A
Vd	N/A
BL	7.98 Tm
Vas	N/A
Xmax	1.5 mm
VC Diameter	32 mm
SPL	N/A
RMS Power Handling	10 watts
Usable Frequency Range (Hz)	100 Hz - 5k Hz

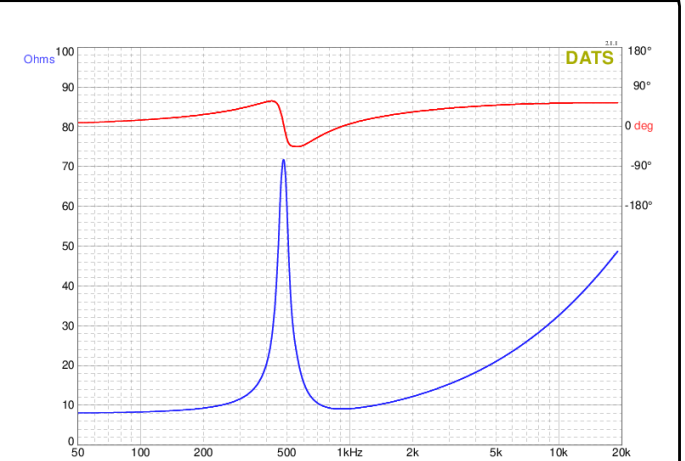
FEATURES

- Extended range and wide dispersion
- 32 mm two layer voice coil for high, 10 watts RMS, power handling
- Pre-applied 3M VHB adhesive for quick, secure installation
- 8 ohms impedance for easy connection to most amplifiers

APPLICATIONS

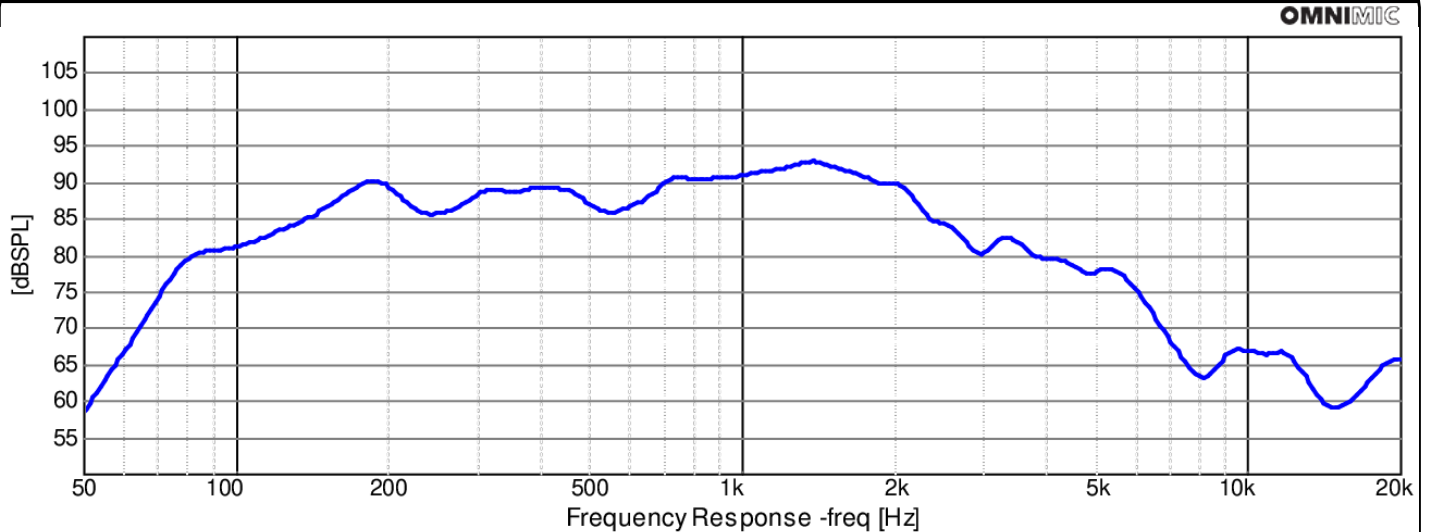
- Electronic gaming machines
- Advertising signage
- Point-of-purchase displays
- Multimedia exhibits
- Commercial distributed audio
- Kiosks
- Automotive audio

IMPEDANCE/PHASE



Measurement taken with transducer uncoupled facing upward.

FREQUENCY RESPONSE



OmniMic

1/3rd octave smoothing - measurement taken with transducer adhered off-center on a 12" x 12" x 1/2" foam core board in an infinite baffle setup.

Note: Note: This information is for comparison purposes only, the actual frequency response will depend on many factors of which the diaphragm being the greatest contributor.