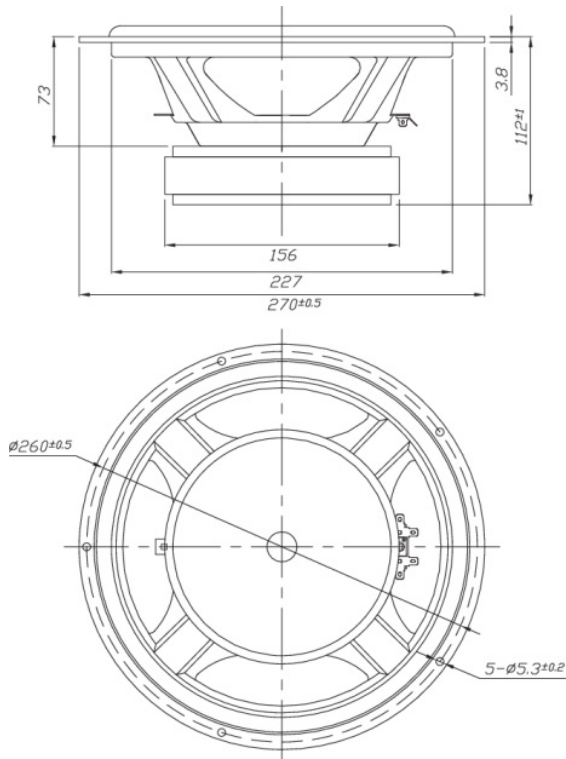




DS270-8 10" Designer Series Woofer Speaker 8 Ohm

DS270-8



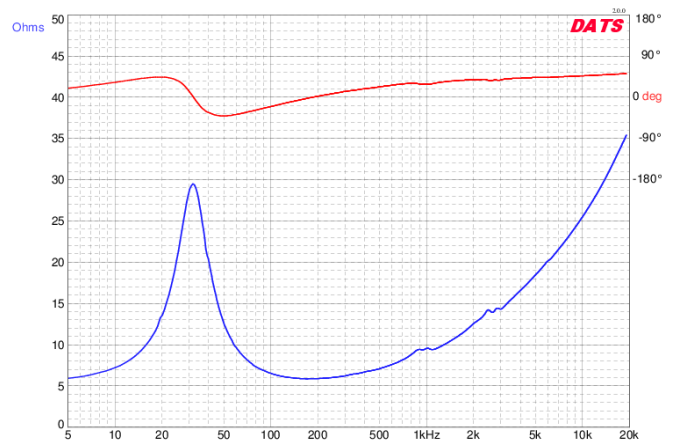
PARAMETERS

Impedance	8 ohms
Re	5.4 ohms
Le	1.25 mH @ 1 kHz
Fs	31.6 Hz
Qms	2.40
Qes	0.54
Qts	0.44
Mms	51.5g
Cms	0.49 mm/N
Sd	353.0 cm ²
Vd	194.1 cm ³
BL	10.1 Tm
Vas	87.7 liters
Xmax	5.5 mm
VC Diameter	38.5 mm
SPL	90.7 dB @ 2.83V/1m
RMS Power Handling	100 watts
Usable Frequency Range (Hz)	30 - 3,000 Hz

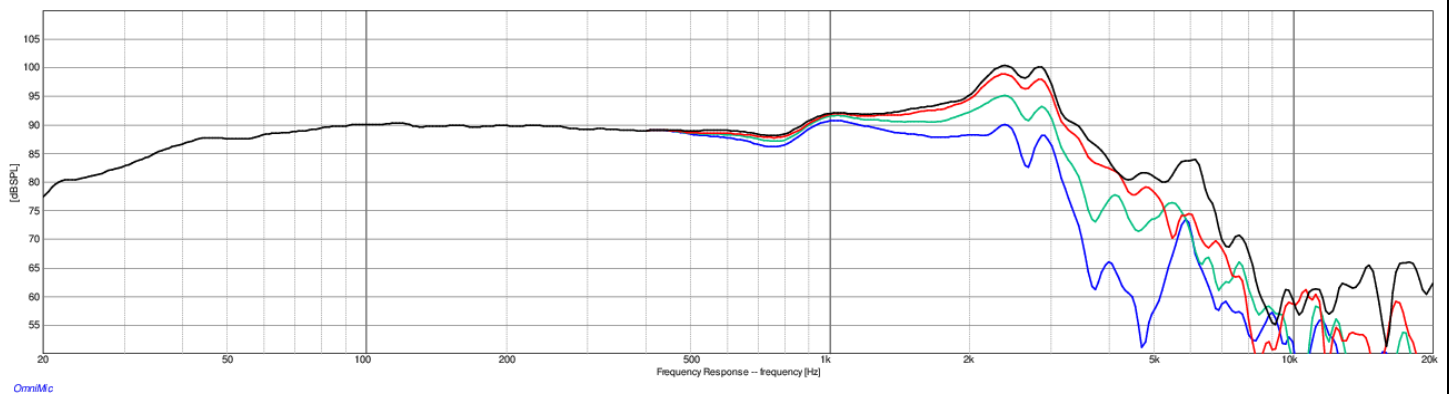
FEATURES

- Optimized to yield a low 3 dB down point and high potential output in a reasonably sized cabinet
- Vented pole piece for minimized power compression and maximized reliability
- Cosmetic frame with low profile lip, designed for front mounting—no countersinking required!
- Retains the same "family look" as the popular Dayton Audio DVC Series subwoofers and passive radiators
- Generous Xmax capability encourages use of moderate bass boost to tailor the response

IMPEDANCE/PHASE



FREQUENCY RESPONSE



Note: 1/24th octave smoothing - nearfield response included in graph below 450 Hz.

Black = 0°
Red = 15°
Green = 30°
Blue = 45°