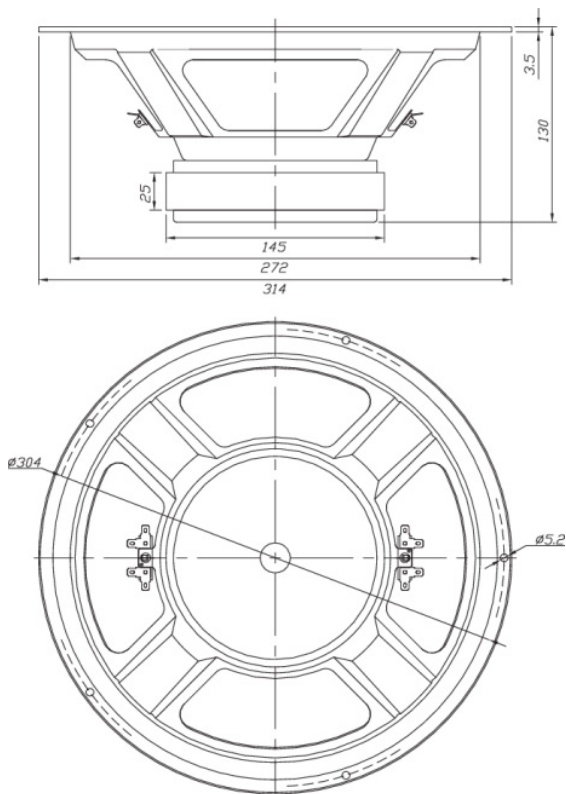




SD315A-88 12" DVC Subwoofer 4 Ohm

SD315A-88



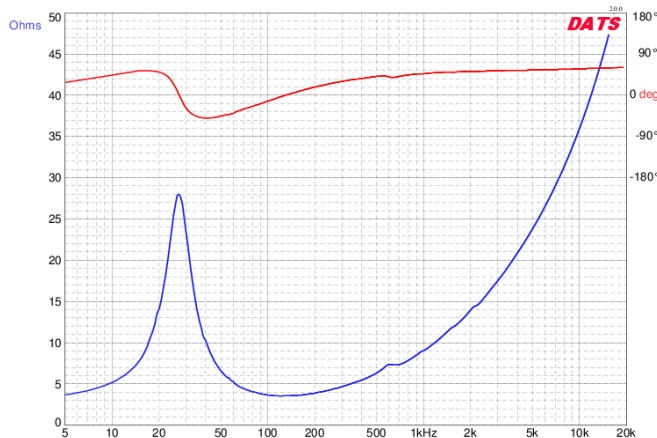
PARAMETERS

Impedance	4 ohms
Re	3.10 ohms
Le	1.50 mH
Fs	24.2 Hz
Qms	3.54
Qes	0.37
Qts	0.33
Mms	109.20 g
Cms	0.40 mm/N
Sd	522.8 cm ²
Vd	366.0 cm ³
BL	11.86 Tm
Vas	151.7 liters
Xmax	7.0 mm
VC Diameter	49.5 mm
SPL	89.6 dB @ 1W/1m
RMS Power Handling	120 watts
Usable Frequency Range (Hz)	24 - 2,000 Hz

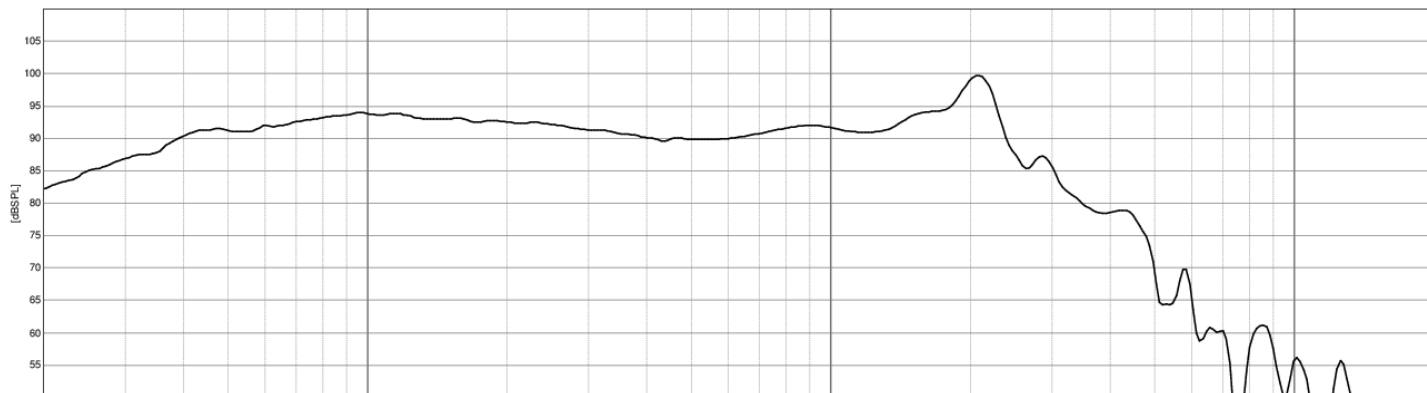
FEATURES

- Works equally well in sealed or vented enclosures
- Attractive gasket-less design
- Long-life rubber surround for years of reliable service
- Excellent bottom octave performance

IMPEDANCE/PHASE



FREQUENCY RESPONSE



Note: 1/24th octave smoothing - nearfield response included in graph below 450 Hz.

Black = 0°