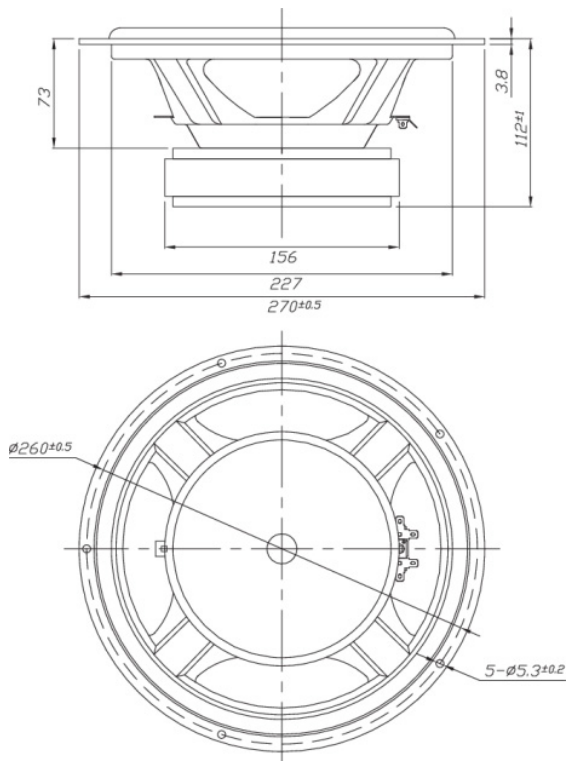




DSA270-8 10" Designer Series Aluminum Cone Woofer 8 Ohm

DSA270-8



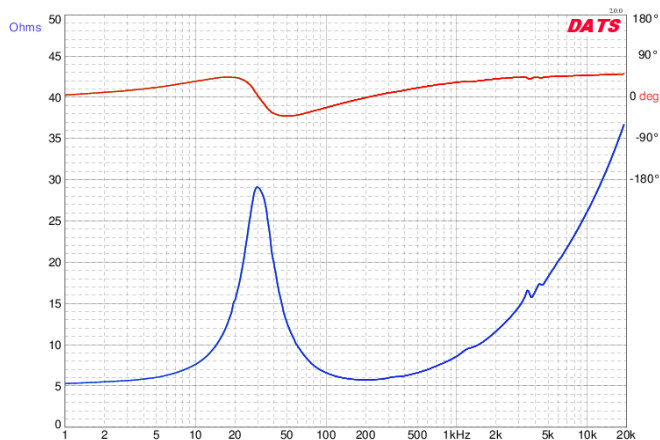
PARAMETERS

Impedance	8 ohms
Re	5.4 ohms
Le	1.07 mH @ 1 kHz
Fs	29.61 Hz
Qms	2.09
Qes	0.47
Qts	0.39
Mms	59.6g
Cms	0.49 mm/N
Sd	353 cm ²
Vd	194.1 cm ³
BL	11.2 Tm
Vas	88.1 liters
Xmax	5.5 mm
VC Diameter	38.5 mm
SPL	90.4 dB @ 2.83V/1m
RMS Power Handling	100 watts
Usable Frequency Range (Hz)	29 - 6,000 Hz

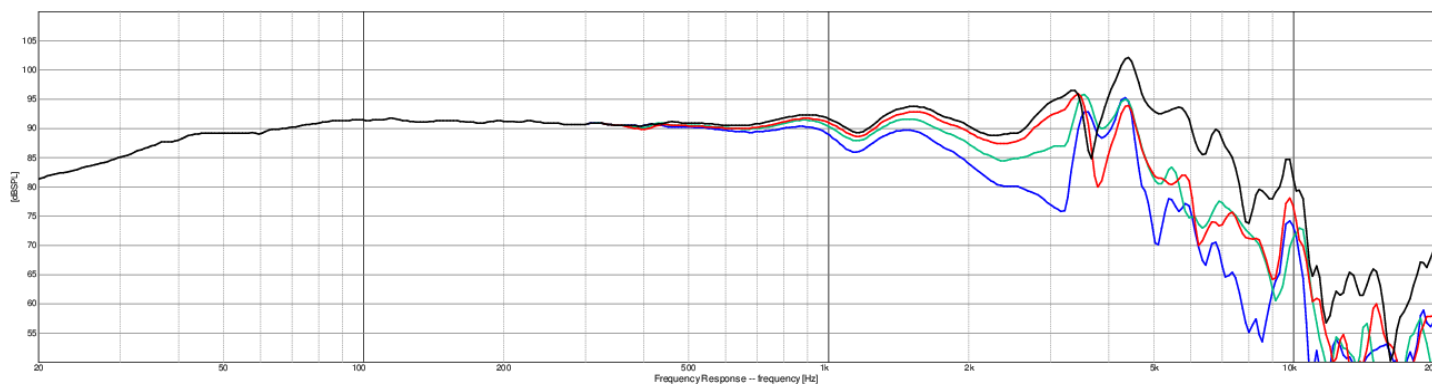
FEATURES

- Cosmetic frame with low profile lip, designed for front mounting—no countersinking required!
- Low distortion motor system with copper shorting ring
- Black anodized aluminum cone, half roll rubber surround for durability and accurate reproduction
- Optimized to yield the smallest possible box volume and lowest 3 dB down point
- Smooth frequency response and linear roll-off simplify filter design, guaranteeing good results with off-the-shelf crossovers

IMPEDANCE/PHASE



FREQUENCY RESPONSE



Note: 1/24th octave smoothing - nearfield response included in graph below 450 Hz.

Black = 0°
Red = 15°
Green = 30°
Blue = 45°