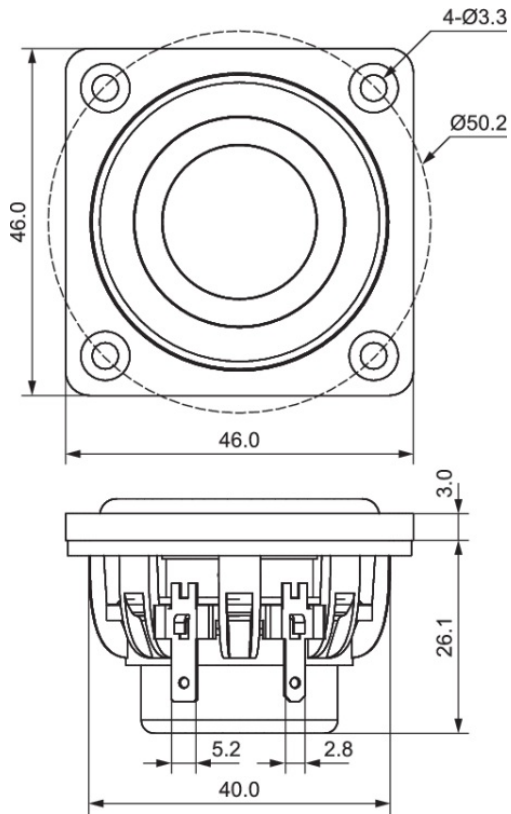




DMA45-8 1-1/2" Dual Magnet Aluminum Cone Full-Range Driver 8 Ohm



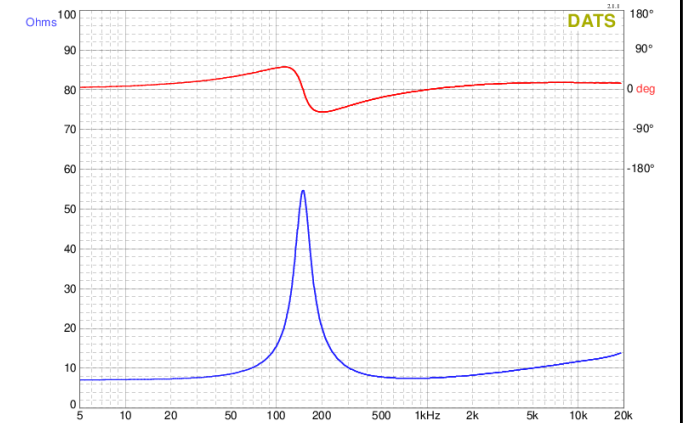
PARAMETERS

Impedance	8 ohms
Re	7.0 ohms
Le	0.4 mH @ 1 kHz
Fs	150.7 Hz
Qms	4.59
Qes	0.68
Qts	0.59
Mms	1.8 g
Cms	0.60 mm/N
Sd	8.6 cm ²
Vd	1.7 cm ³
BL	4.26 Tm
Vas	0.002 ft ³
Xmax	2.0 mm
VC Diameter	0.75"
SPL	76.9 dB @ 2.83V/1m
RMS Power Handling	10 watts
Usable Frequency Range (Hz)	150-20,000 Hz

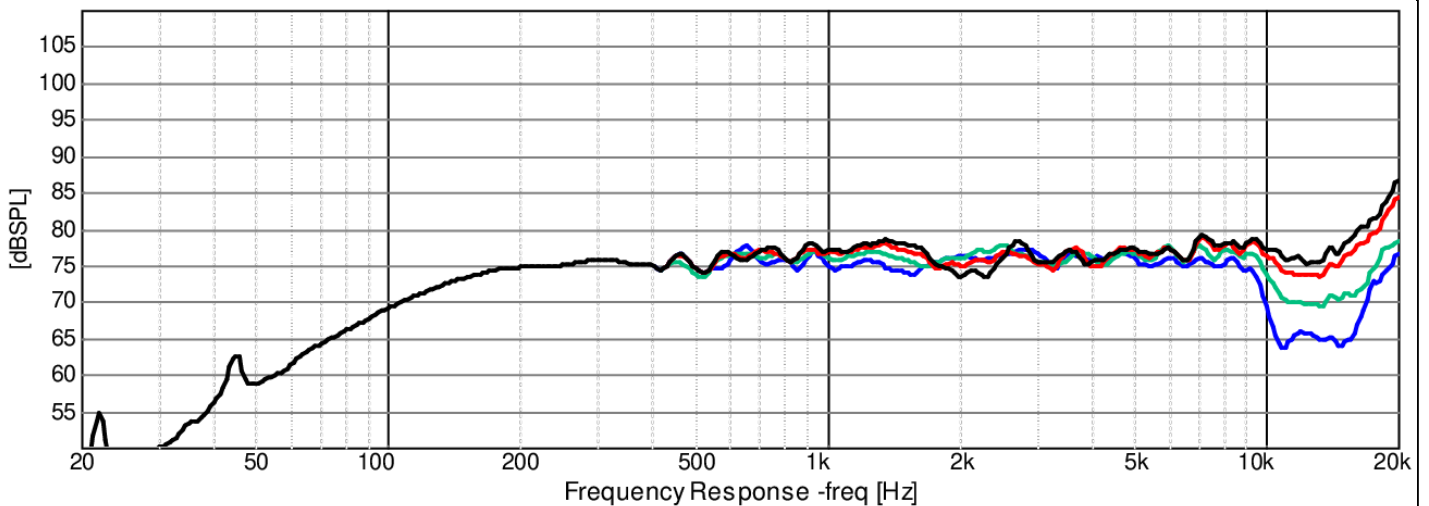
FEATURES

- Excellent high frequency response for true full-range applications
- Dual neodymium motor to create a symmetrical magnetic field for superb control
- Remarkably flat full-range response with excellent off axis performance
- Large copper cap lowers distortion while improving high frequency response
- Exclusive 8-spoke open frame design provides extensive venting and minimal reflection
- DIY friendly, oversized mounting flange makes installation simple
- Matching tunable passive radiators also available!

IMPEDANCE/PHASE



FREQUENCY RESPONSE



OmniMic

Note: 1/24th octave smoothing - nearfield response included in graph below 450 Hz

Black = 0°
Red = 15°
Green = 30°
Blue = 45°