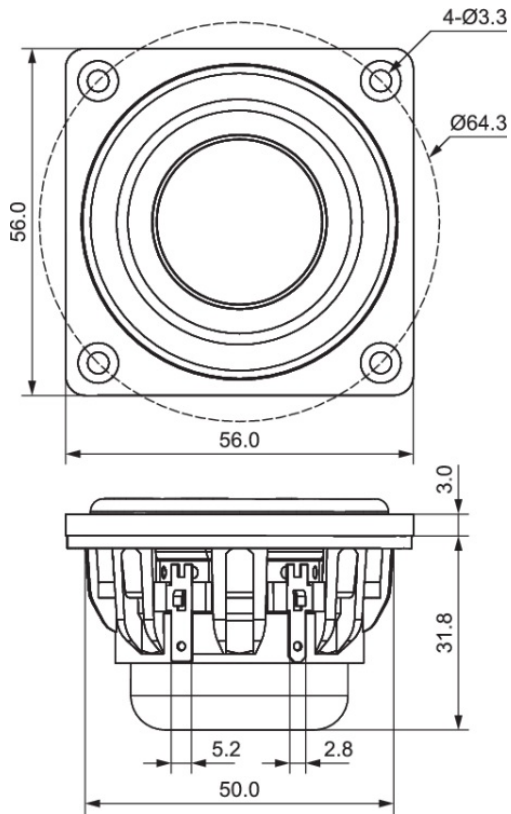




DMA58-4 2" Dual Magnet Aluminum Cone Full-Range Driver 4 Ohm



| PARAMETERS | |
|-----------------------------|-----------------------|
| Impedance | 4 ohms |
| Re | 3.6 ohms |
| Le | 0.2 mH @ 1 kHz |
| Fs | 165.5 Hz |
| Qms | 2.4 |
| Qes | 0.56 |
| Qts | 0.46 |
| Mms | 2.1 g |
| Cms | 0.45 mm/N |
| Sd | 14.5 cm ² |
| Vd | 2.9 cm ³ |
| BL | 3.7 Tm |
| Vas | 0.005 ft ³ |
| Xmax | 2.0 mm |
| VC Diameter | 1" |
| SPL | 86.2 dB @ 2.83V/1m |
| RMS Power Handling | 15 watts |
| Usable Frequency Range (Hz) | 160-20,000 Hz |

- ### FEATURES
- Excellent high frequency response for true full-range applications
 - Dual neodymium motor to create a symmetrical magnetic field for superb control
 - Large copper cap lowers distortion while improving high frequency response
 - Vented aluminum voice coil former with exceptional heat dissipation for high power handling
 - Exclusive 8-spoke open frame design provides extensive venting and minimal reflection
 - DIY friendly, oversized mounting flange makes installation simple
 - Matching tunable passive radiators also available!

