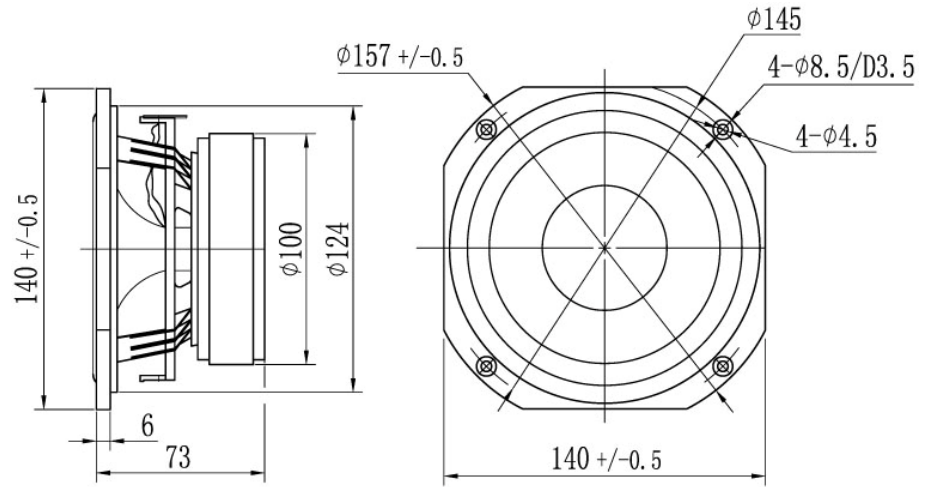
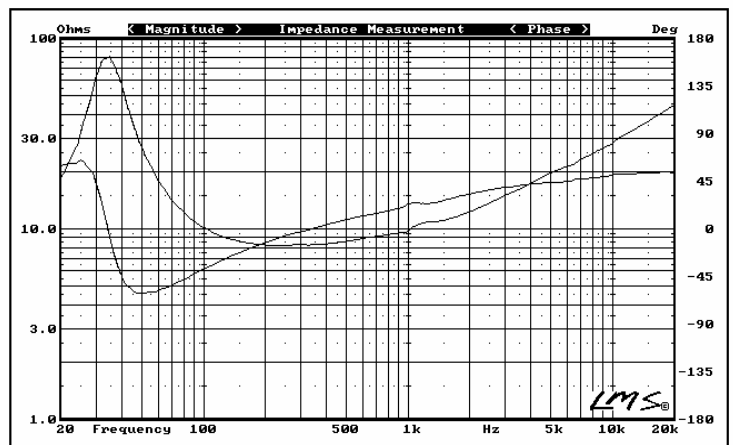
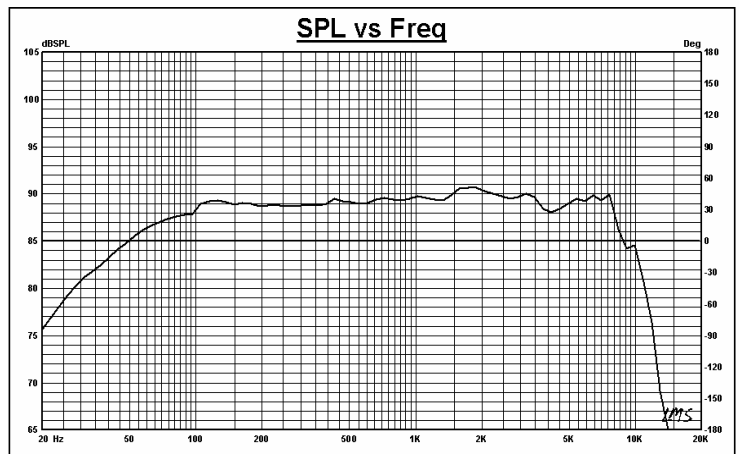


AC-130F1 Mid/woofer



- Feature:**
- Composite cone of carbon fiber and polypropylene.
 - Al-alloy frame (round frame for option).
 - 25mm / 1" flat CCAW voice coil, Kapton voice coil bobbin.

Nominal power	P	60	W
Sensitivity 1W/1m	SPL	89	dB
Nominal impedance	Z	8	Ω
Frequency range	-	35-7000	Hz
Resonance frequency	F0	35	Hz
DC resistance	Re	7.0	Ω
Mechanical quality factor	Qms	3.10	-
Electrical quality factor	Qes	0.30	-
Total quality factor	Qts	0.27	-
Equivalent volume of air	Vas	36	L
Moving mass	Mms	9.7	g
Effective piston area	S	95	cm ²
Suspension compliance	Cms	2.84	mm/N
BL product	BL	6.1	N/A
Flux density	B	1.1	T
Voice coil diameter	Φ	25	mm
Voice coil height	H	13	mm
Voice coil inductance	Lbm	0.35	mH
Linear excursion	Xmax	± 5	mm
Magnet diameter	Φ	100	mm
Magnet height	H	20	mm
Former material	-	Aluminum	-
Net weight	M	1.36	kg
Outer dimensions	-	140x140/ Φ 157	mm
Cutout dimensions	Φ	127	mm
Flange thickness	T	6	mm
Overall depth	D	73	mm



JINLANG AUDIO CO.,LTD.

NO.1 XIANQIAO ST., BEIGUAN RD., PENGLAI, CHINA

E-MAIL: aurumcantus@aurumcantus.com TEL: ++86-535-5643369 FAX: ++86-535-5610809