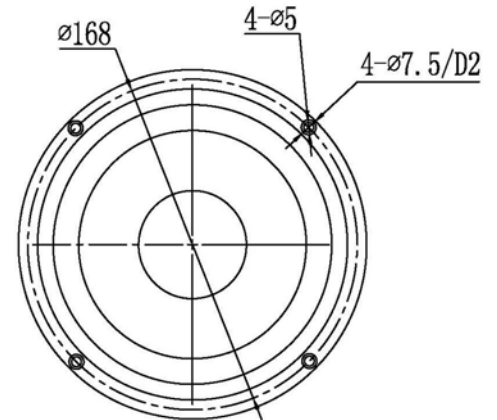
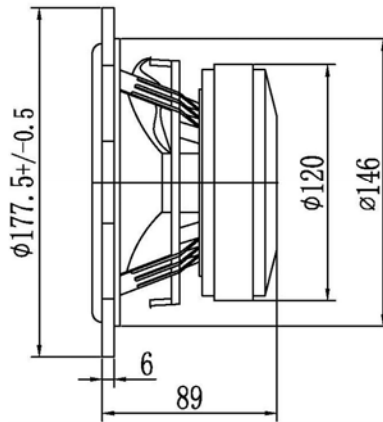


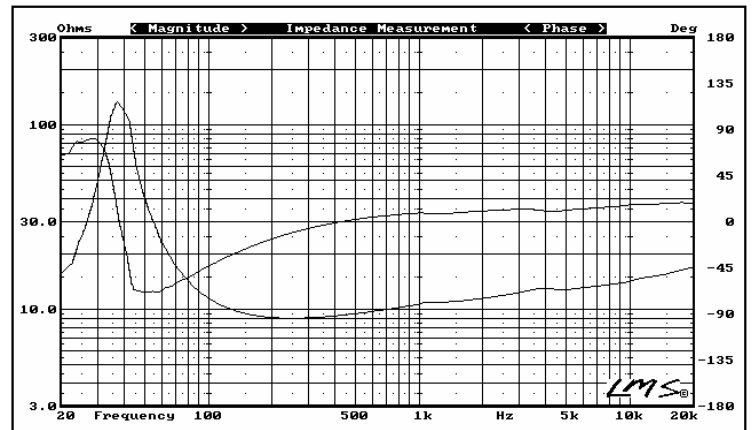
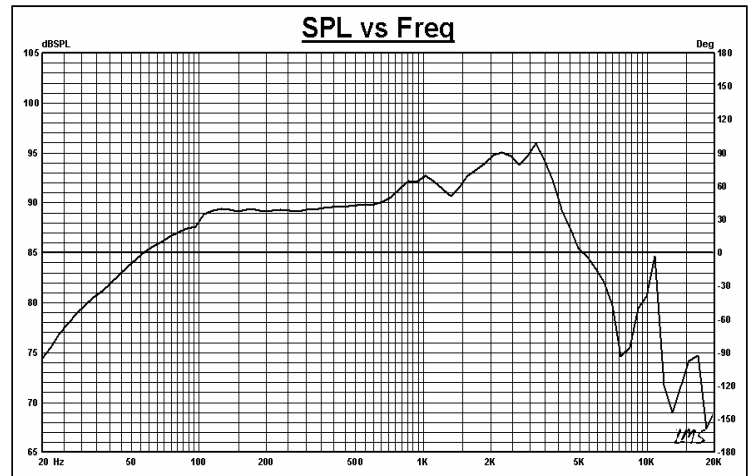


AC165/50CK Mid/Woofer



- Feature:**
- Composite cone of non-woven carbon fiber and Kevlar.
 - Al-alloy frame (square frame for option).
 - 50mm / 2" flat CCAW voice coil, Kapton voice coil bobbin.
 - The special magnet system of Faraday ring and demodulation coil.

Nominal power	P	150	W
Sensitivity 1W/1m	SPL	89	dB
Nominal impedance	Z	8	Ω
Frequency range	-	37-4500	Hz
Resonance frequency	F0	37	Hz
DC resistance	Re	7.0	Ω
Mechanical quality factor	Qms	3.68	-
Electrical quality factor	Qes	0.20	-
Total quality factor	Qts	0.19	-
Equivalent volume of air	Vas	24	L
Moving mass	Mms	13.7	g
Effective piston area	S	133	cm ²
Mechanical suspension compliance	Cms	0.97	mm/N
BL product	BL	12.3	N/A
Flux density	B	0.93	T
Voice coil diameter	Φ	50	mm
Voice coil height	H	15	mm
Voice coil inductance	Lbm	0.67	mH
Linear excursion	Xmax	± 6	mm
Magnet diameter	Φ	120	mm
Magnet height	H	20	mm
Frame	-	Aluminum	-
Net weight	M	2.40	kg
Outer dimensions of flange	Φ	177.5	mm
Flange thickness	T	6	mm
Cutout dimensions	Φ	150	mm
Overall depth	D	89	mm



AURUM CANTUS AUDIO CO.,LTD.

NO.1 XIANQIAO ST., BEIGUAN RD., PENGLAI, CHINA

E-MAIL: aurumcantus@aurumcantus.com TEL: ++86-535-5643369 FAX: ++86-535-5610809