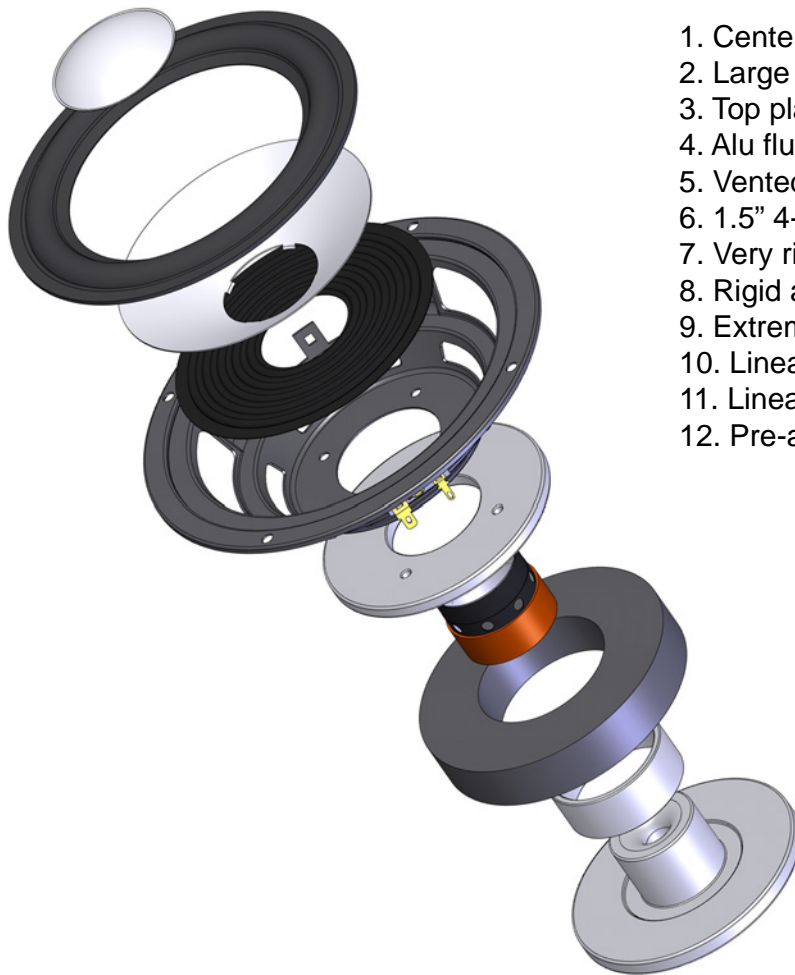
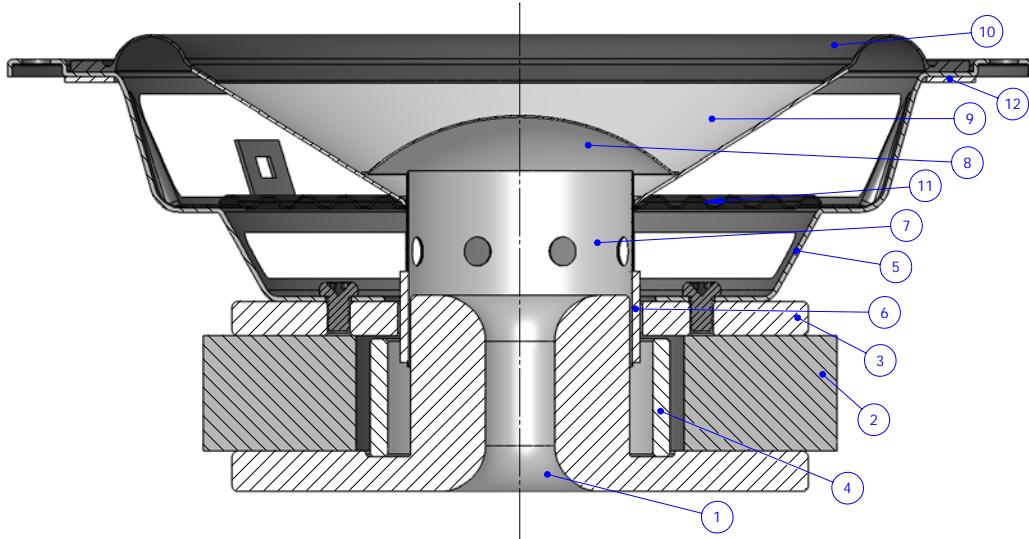


SW178WA01 7" subwoofer



- 1. Center pole with dual-flares-vent
- 2. Large 110mm magnet
- 3. Top plate
- 4. Alu flux-shorting ring
- 5. Vented chassis
- 6. 1.5" 4-layer, long-stroke voice coil
- 7. Very rigid black glass fiber bobbin
- 8. Rigid and heat conducting alu dust cover
- 9. Extremely rigid, heat conducting alu cone
- 10. Linear low-loss rubber suspension
- 11. Linear lower suspension (spider), Nomex
- 12. Pre-attached EVA gasket