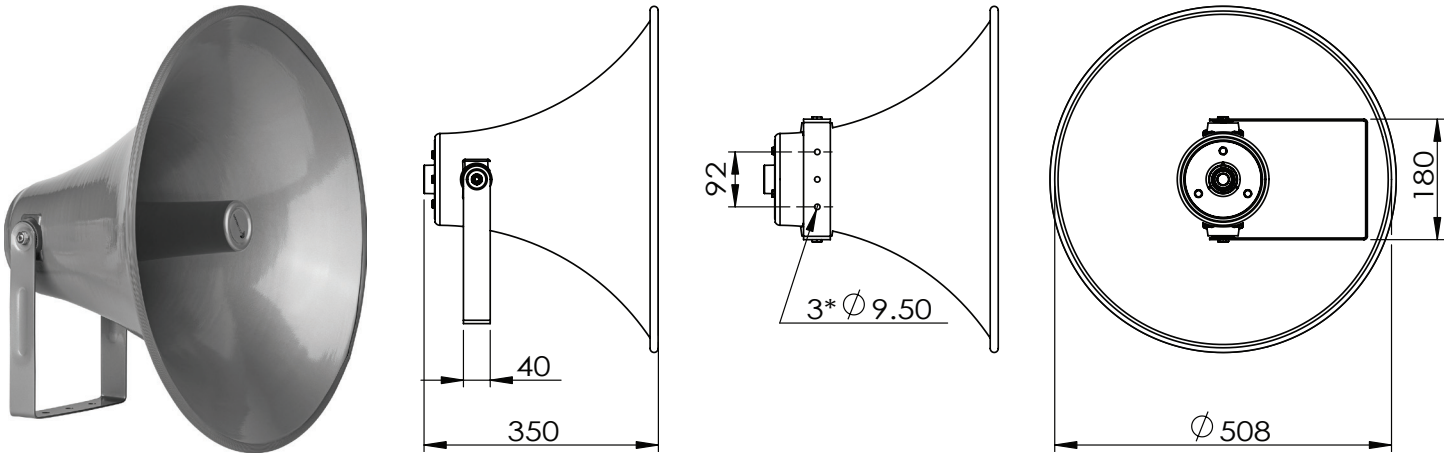


20" ROUND PA HORN

Model: RPH20



Features:

- Highly efficient 20" round PA horn with large horn mouth extended frequency response
- Weatherproof aluminum construction and stainless-steel hardware provides a long service life
- Suitable for indoor and outdoor use
- Standard 1-3/8"-18 threaded throat

Application:

The Dayton Audio RPH20 20" round PA horn delivers wide sound dispersion and exceptional audio efficiency when used with medium to high powered compression drivers. The horn features a large horn mouth that provides an extended frequency response and maximizes paging intelligibility. It is suitable for standard 1-3/8"-18 threaded compression drivers. With an aluminum construction and stainless-steel hardware, the weatherproof horn is suitable for indoor and outdoor use in warehouses, terminals, industrial manufacturing, recreation, educational, and commercial facilities.

Description:

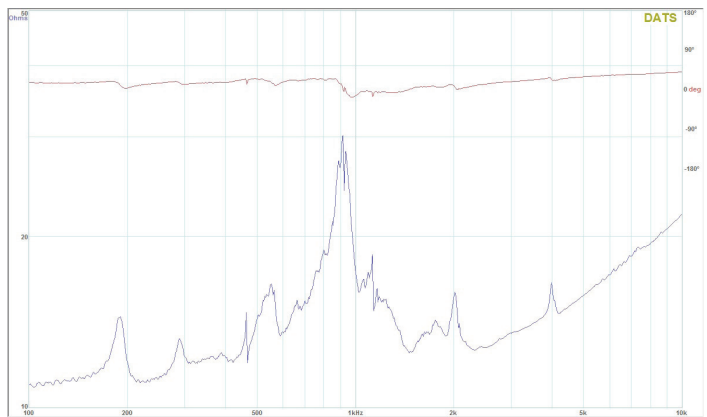
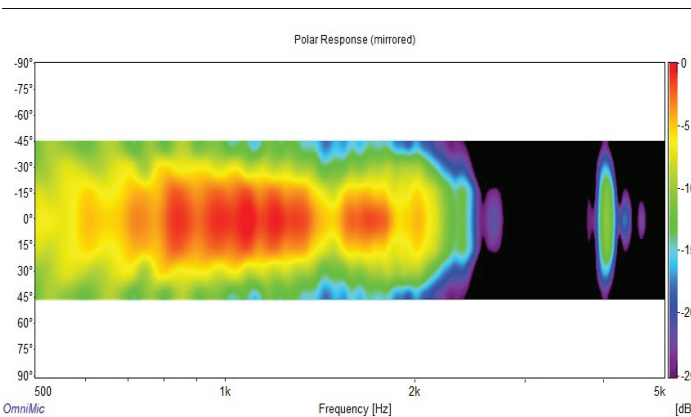
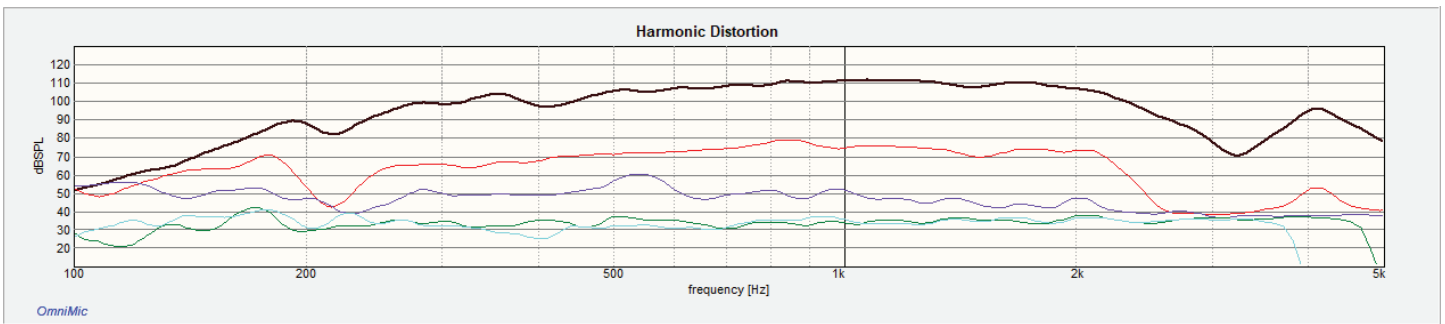
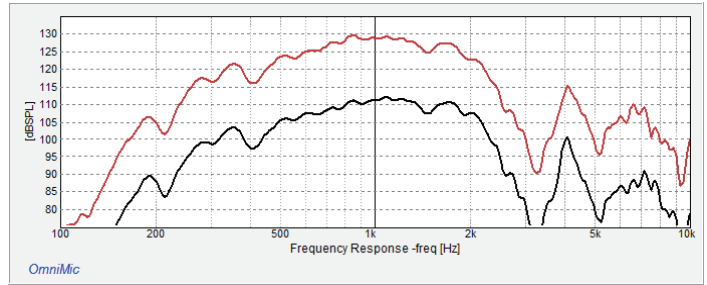
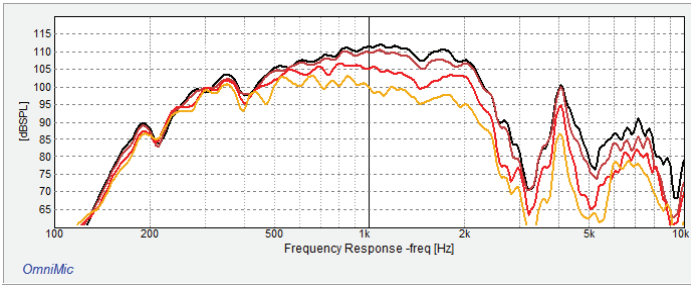
The Dayton Audio RPH20 20" PA horn features a re-entrant style horn flare design providing an expansion path that is longer than conventional straight horns. This design ensures an extended frequency response of 500-2,200 Hz with a circular 75° dispersion pattern. The Dayton Audio RPH20 PA horns are formed from lightweight aluminum and painted with a durable polyester finish, so you know that they will survive years of exposure to sun and rain. Great for indoor or outdoor applications, sturdy mounting yoke for precise alignment included. Standard 1-3/8"-18 threaded throat; 20" mouth diameter, 13" depth.

Model	Power Rating	Sound Level		Dispersion	Impedance
		Peak	*RP/1M,1W/1M		
RPH20 with D1075T Driver	75W	129.9 dB	129.9 dB, 112 dB, 500-2,200 Hz	75 Degrees	16 ohms

**Measurements taken at 0, 15, 30 and 45 degrees with 2.83v/1M. Maximum output and distortion measured at rated power*

Engineering Specs:

Horn shall be Dayton Audio RPH20 20" round PA horn for wide dispersion pattern. Low frequency roll off shall be 500 Hz and the dispersion angle shall be 75° circular. The horn shall accommodate compression drivers with 1-3/8"-18 thread. The horn shall be 20" mouth diameter and 13" in depth. The horn shall be constructed of weatherproof aluminum and contain stainless-steel hardware. The mount shall include surface installation.



daytonaudio.com
tel + 937.743.8248
info@daytonaudio.com

705 Pleasant Valley Dr.
Springboro, OH 45066
USA

