



---

---

## Owner's Manual

PT8000CH



**19" Rack Mount 8000 Watt 8  
Channel Stereo/Mono Amplifier**

[www.pyleaudio.com](http://www.pyleaudio.com)

Thank you for purchasing the PYLE PT8000CH power amplifier. The PT8000CH contains the excellent performance and reliability that PYLE products have been recognized for. The PT8000CH features the flexibility needed for demanding custom installation applications. It is ideal for use in home theater, stereo, multi-room, multi-zone and commercial applications. For best performance, please carefully read the instructions in this manual.

Table Of Contents	Page
Features .....	2
Front Panel Diagram .....	3
Rear Panel Diagram .....	4
System Design & Operation Considerations .....	5-6
System Design Examples .....	7
Diagram 4 - Multi Room Installation .....	8
Diagram 5 - Multi-Zone Installation #1 .....	9
Diagram 6 - Multi-Zone Installation #2 .....	10
Diagram 7 - Home Theater/Multi-Room Installation .....	11
Installation Considerations .....	12
Installation .....	13-17
Operation .....	17
Troubleshooting .....	18-19
Specifications .....	20

## FEATURES

### **Audiophile Design**

Sophisticated design and superior internal components result in outstanding sound quality, performance and long term reliability.

### **Advanced Protection**

Each channel is individually protected. If the circuitry determines that a channel must be shut down for protection, a rare occurrence, only the channel affected will be turned off. The other channels will continue to play. Once conditions return to normal, the affected channel will be turned back on and operate as normal.

### **Flexible Input Selection**

Each of the 8 channels can be assigned a variety of source inputs. A dedicated input can be assigned to each channel. Each channel can also be configured to play common signals from the Bus or Auxiliary inputs. This provides the flexibility needed in sophisticated custom audio installations.

### **Bridging**

The power output of adjacent channels can be combined to provide extra power when needed in certain areas. This is easily accomplished by flipping a single switch.

### **Individual Channel Level Adjustments**

Each channel has its own level adjustment. This allows the loudness of each speaker to be perfectly matched to its area.

## Diagram 1 - Front Panel



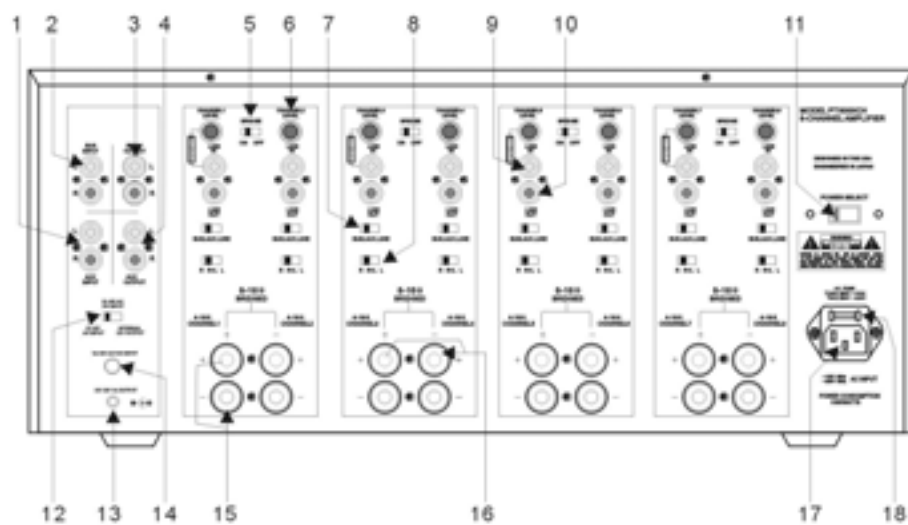
### 1. POWER SWITCH

Master power switch. Turns off power to amplifier and Power Mode Circuitry.

### 2. POWER OUTPUT LEVEL INDICATOR

This is level meter which shows outputs levels of ch 1-2 ch 3-4 ch 5-6 & ch 7-8 condition on the operation. Therefore, you can see output condition thru this master indicator.

## Diagram 2 - Rear Panel



- 1-2. Main bus inputs allow outputs from receivers, CD players, TVs, or any stereo audio sources to be amplified across all channels for easy multi-room applications. Auxiliary inputs allow an additional audio source to be played on any channel that is switched to AUX.
- 3-4. Bus outputs allow the bus inputs to be sent to other amplifiers or a daisy chain without the need for 'Y' cables splitters. Auxiliary out-puts allow you to daisy chain the input to other audio sources.
5. Bridging switch allows you to easily double the power output by coupling two channels together.
6. Level controls for each channel.
7. Input Selection switch allows you to select between the common bus and auxiliary inputs, or the individual channel input.
8. One switch allows you to select which stereo input channel will play through the speaker outputs: left, right, or left and right combined. If switched to Left + Right, both input channels are combined.
9. Gold plated individual channel inputs allow you to connect different audio sources to each channel.
10. Line signal output
11. Voltage Selector 110-220V
12. 12-15V AC/DC input / internal DC12V output selector.
13. DC 12V 1A output
14. 12-15 AC/DC input jack.
15. Speaker channel output binding posts.
16. Speaker channel bridged mode binding.
17. 3-Prong removable power plug.
18. Fused AC

---

## SYSTEM DESIGN & OPERATION CONSIDERATIONS

To best understand system design and operation of the PT8000CH it is useful to understand the following terms and features as they relate to the PT8000CH.

### **Multi-Room**

A system design that plays the same source at the same time in all rooms. If a change is made in one room, the same change takes place in all other rooms. For example, if a listener changes from CD to Tuner in the bedroom, the same change will be heard in the kitchen. Note: With the use of volume controls or speaker switchers the volume of each room can be controlled separately of the other rooms.

### **Multi-Zone**

A system design that allows different sources to be played in each room. A change in one room can be made without changing the other rooms. For example the CD player can be heard in the bedroom while the kitchen is playing the tuner.

### **Bridging**

The combining of 2 channels to create one mono channel. It is useful when more volume is needed in a particular area.

### **Source**

Component, audio or video, that provides an audio signal. Examples are CD, VCR, DVD, tape deck and tuner. The source provides the audio information that is amplified by the PT8000CH.

### **Channel**

A distinct unit of the amplifier that provides output to one speaker. On the PT8000CH the input to each channel can be configured to select from the BUS INPUT, the AUX INPUT or that channel's unique CHANNEL INPUT. Two adjacent channels can be bridged to provide higher power to one speaker.

### **Level Controls**

Allows any of the channels to be adjusted independently to raise or lower the output of each channel. This may be used to control the speaker output in order to balance different rooms or areas of the system.

### **BUS\*AUX\*LINE Switch**

Allows each channel to play a variety of different inputs. Depending on the switch position the channel amplifies the signal connected to the BUS input, the AUX input, or its own LINE input.

### **R R+L L Switch**

When either a BUS or AUX input is selected, this switch is used to direct the channel to play the left signal from the input "L" or the right signal from the input "R", or a combined right and left signal from the input "R+L"

## SYSTEM DESIGN & OPERATION CONSIDERATIONS

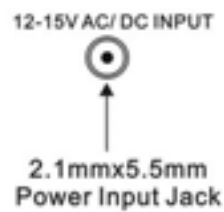
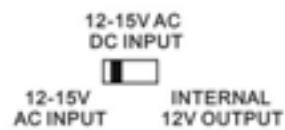
### Bus Input

Allows the signal from a source to be distributed to any of the 12 channels on the amplifier.

### Auxiliary Inputs

Allows a the signal from a secondary source to be distributed to any of the 12 channels of the amplifier.

**Diagram 3: 12-15V AC/DC selector**



---

## SYSTEM DESIGN EXAMPLES

There are many ways to configure the PT8000CH amplifier. The following pages contain some typical installation examples. Use these examples to generate ideas for your system design.

### **Multi-Room Installation Example (Diagram 4)**

This illustrates the simplest use of the PT8000CH, distributing audio throughout the home. In this example only one source can be selected at a time, all pairs of speakers have the same audio signal available.

The Input Selection switch is set to "BUS" on all channels. Adjacent channels are assigned left and right.

### **Multi-Zone Example #1 (Diagram 5)**

This illustrates the simplest way to provide an audio signal to one area that is independent of the main audio signal. Zone 2 uses a CD player connected to just that Zone. The rest of the system operates Zone 1 and is connected to the preamplifier / receiver.

The Input Selection switch on channels 1-10 is set to "BUS" with adjacent channels assigned left and right. The Input Selection Switch on channels 11 and 12 are set to "LINE"

### **Multi-Zone Example #2 (Diagram 6)**

This illustrates the ability to listen to different audio signals in each zone, independent of every other zone. The system relies on a multi-zone preamplifier or up to 6 independent preamplifiers.

The Input Selection switch on each channel is set to "LINE"

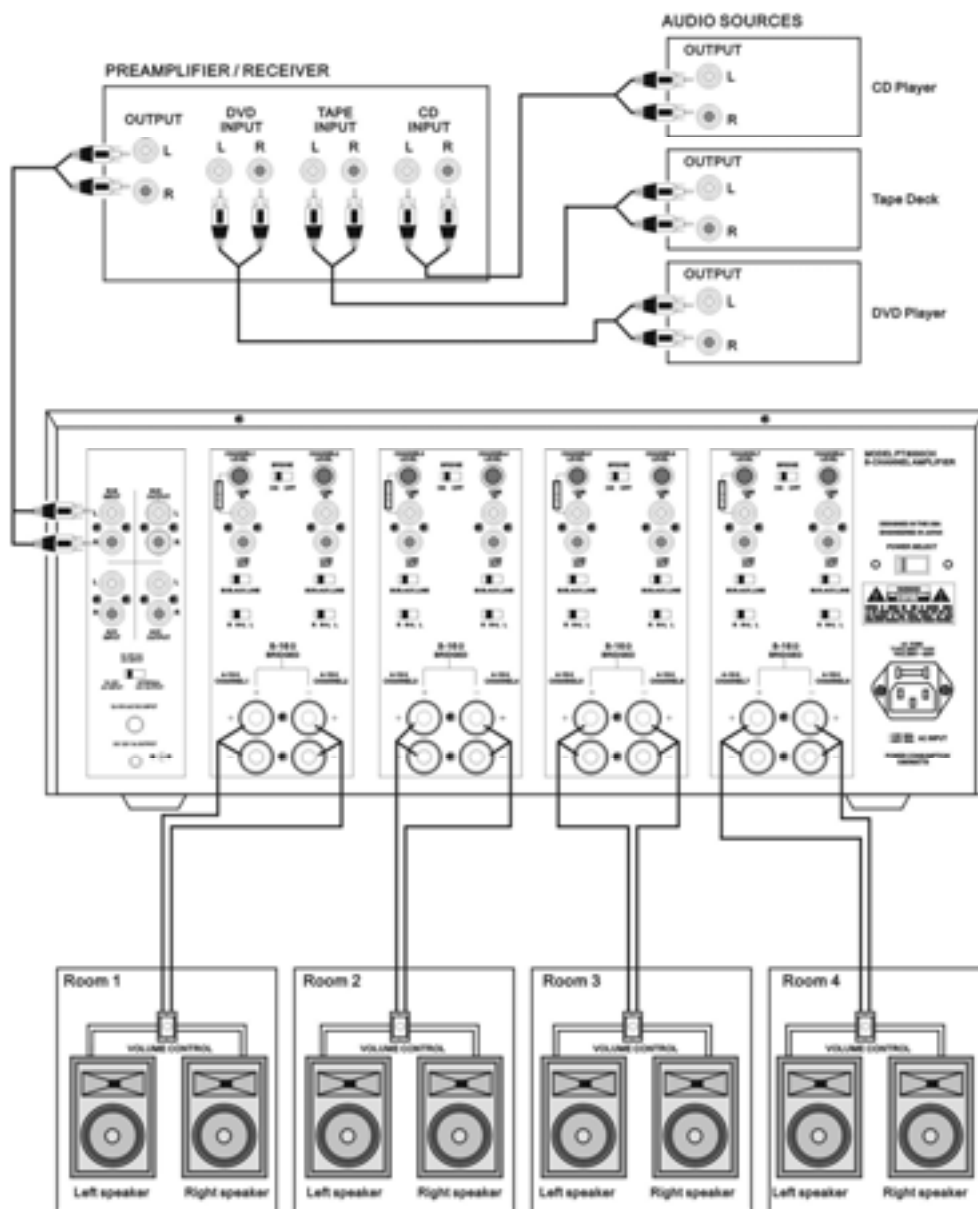
### **Home Theater / Multi-Room Example (Diagram 7)**

This configuration allows the user to access the sources connected to a home theater receiver for use in a multi-room installation. It relies on the home theater receiver having a multi-room or similar output.

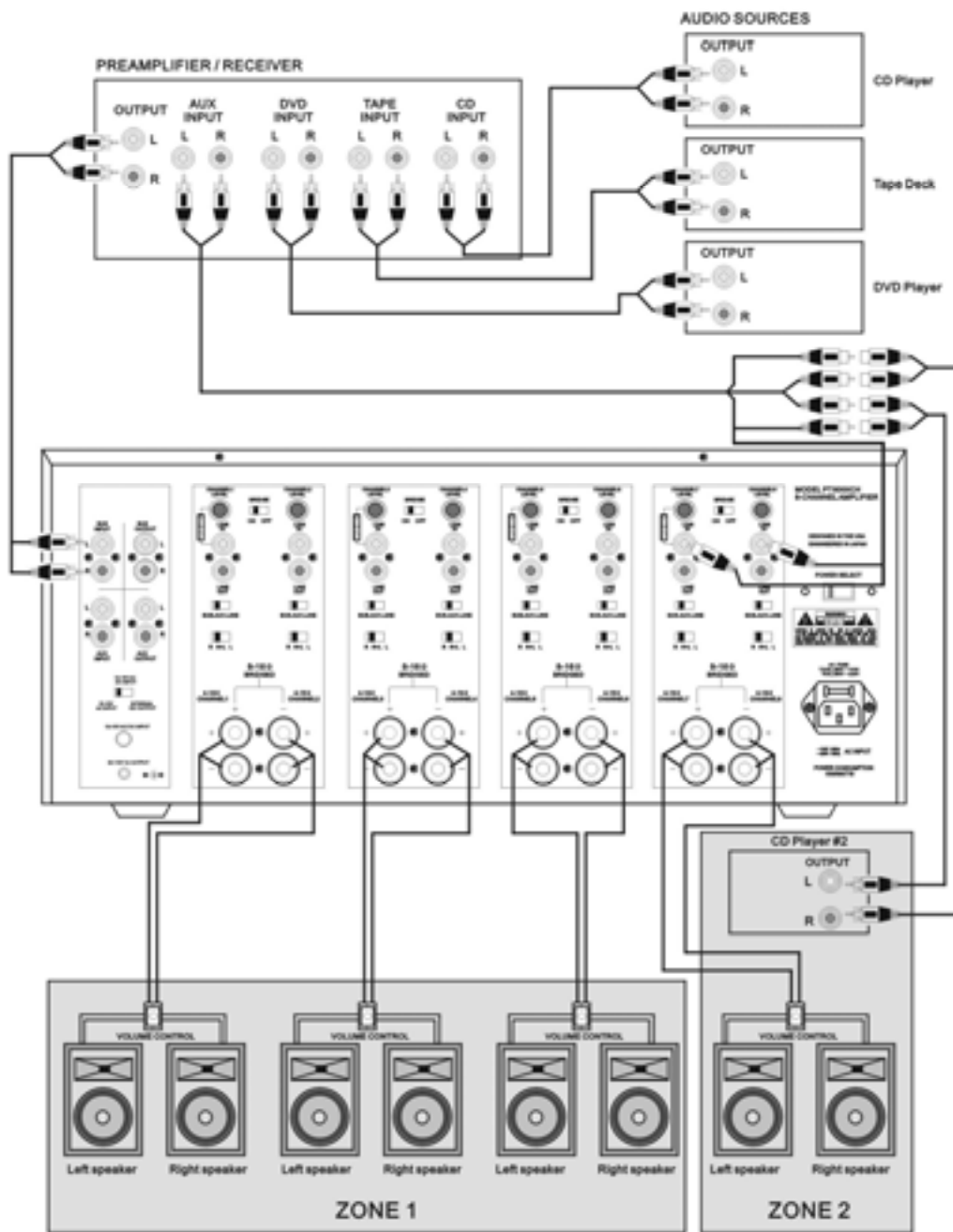
The Input Selection switch on each channel is set to "BUS" with adjacent channels assigned left and right.



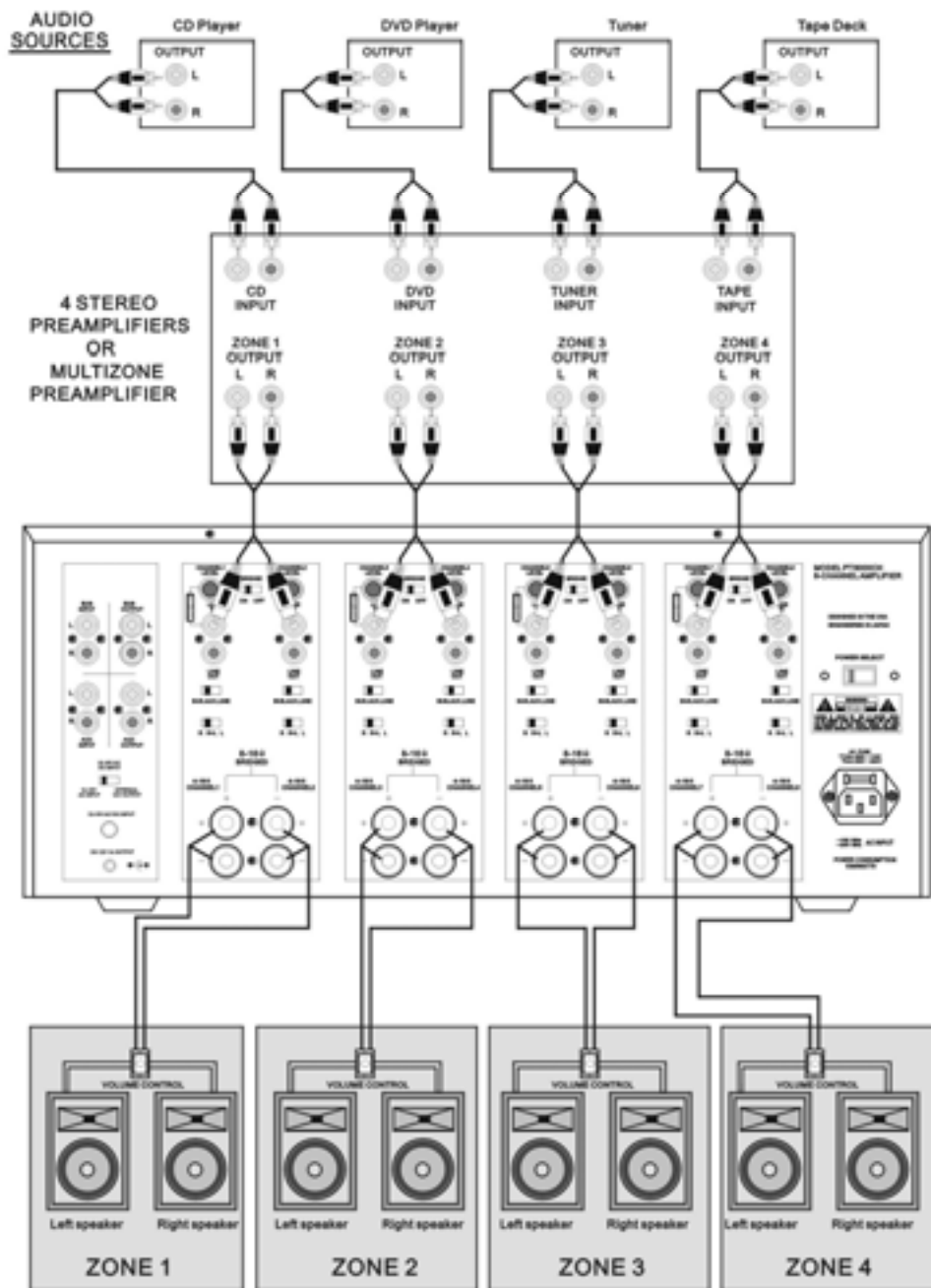
## Diagram 4 - Multi Room Installation



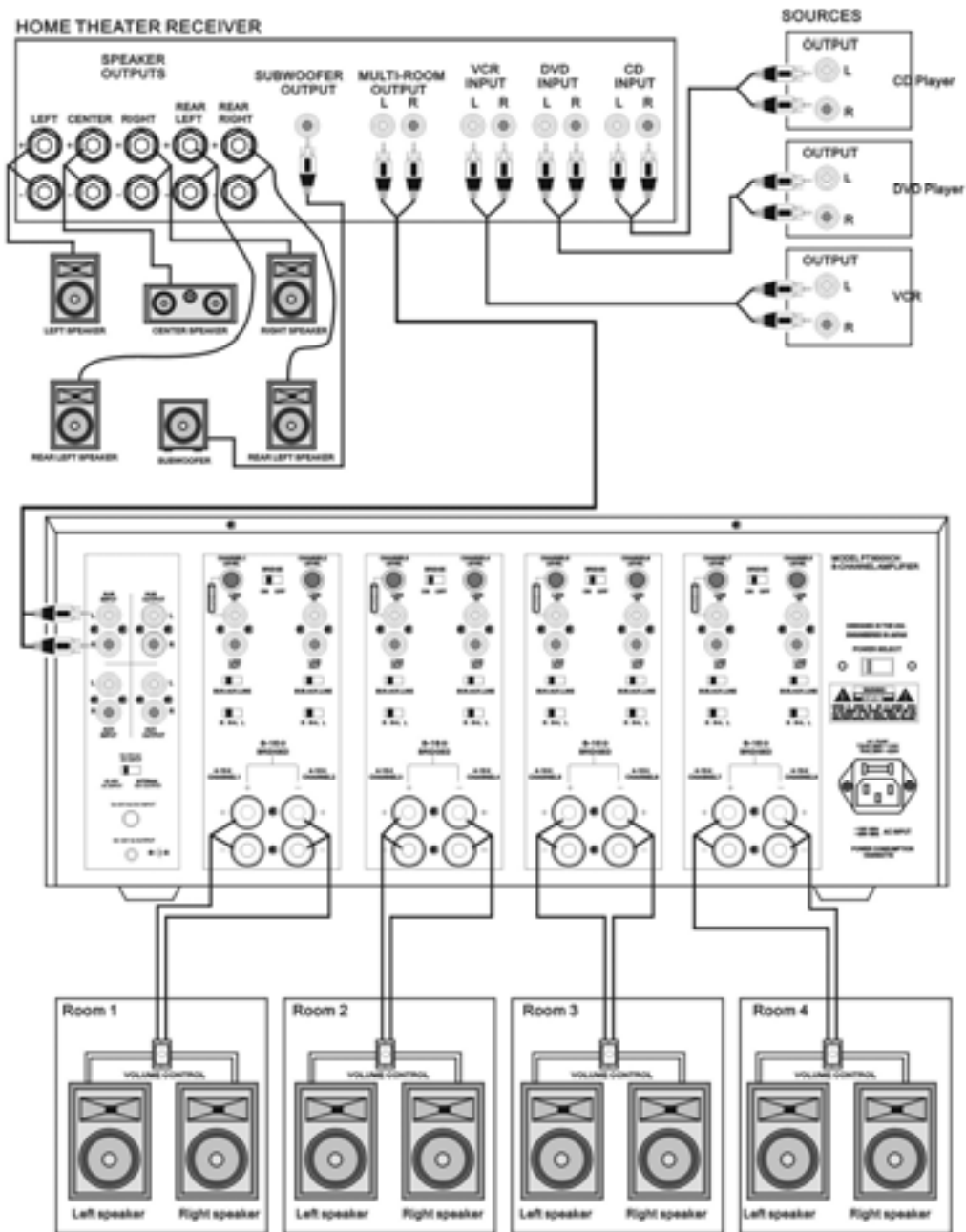
# Diagram 5 - Multi Zone Installation #1



## Diagram 6 - Multi Zone Installation #2



## Diagram 7 - Home Theater/Multi Room Installation



## INSTALLATION CONSIDERATIONS

### **DO:**

Place the amplifier with the feet resting on a solid flat level surface.  
Place the amplifier in a well-vented area to provide proper cooling. In areas that lack proper ventilation, such as tight cabinets or racks, it may be necessary to install small fans to create air movement.

### **DONOT:**

Don't block the ventilation holes on the top or bottom of the amplifier  
Never place it on carpeting or similar material.  
Don't place the amplifier in any other position other than horizontal with the feet down. Never place on its side or resting on the back where the terminals are located.  
Don't the amplifier near heat sources, or in an area that it would be exposed to moisture.

### **YOU SHOULD KNOW**

The power supply is very large and therefore may cause a hum to be heard in some components if they are placed very close to the amplifier.

---

## INSTALLATION

### Selecting Inputs (See Diagrams 8 & 9)

Each channel is capable of delivering the source from many inputs. The three main inputs are BUS, AUX and LINEIN. The selection for these inputs is done via the Input Selection switch, marked "BUS-AUX-LINE". To select a source for each channel, follow the steps below:

1. Select the desired source input. Set the Input Selection switch to BUS(will play source connected to the BUSINPUT), AUX (will play source connected to the AUX INPUT) or LINE (will play source connected to the LINEIN).



Diagram 8

2. The BUS and AUX inputs each have a left and right input. The left, right or combined left and right signal from these may be selected via the switch marked "R R+L". Select the side you want the channel to deliver. Selecting "R" will play the right channel of the selected input. Selecting "L" will play the left channel of the selected input. Selecting "R+L" will play the combined signals of right and left.



Diagram 9

## INSTALLATION

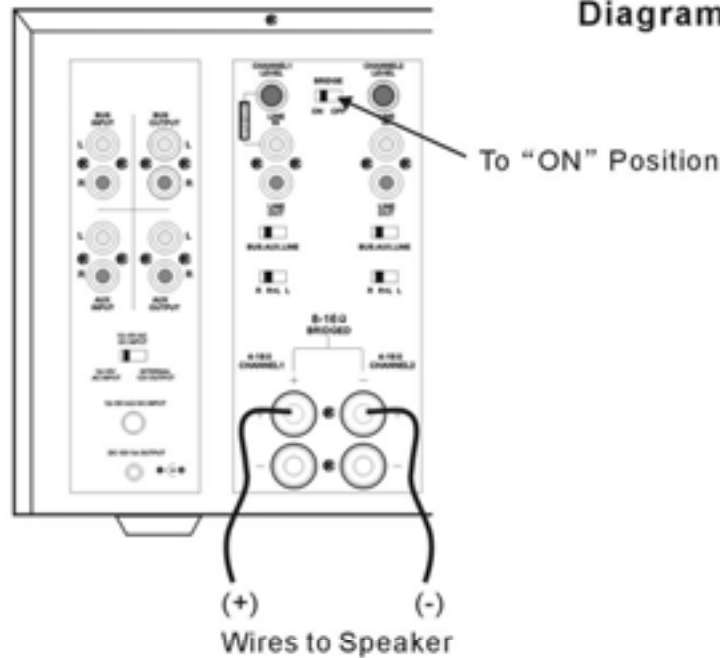
### Selecting Bridge Mode (See Diagram 11)

Under normal operation, this should be left in the 8 ohm position as illustrated in **Diagram 10**. It is sometimes desirable to combine two channels into one through bridging. The output of the combined channels can then be used to power one speaker.

To bridge two adjacent channels first make sure that the Impedance Switch is in the 8ohm position. Next move the switch marked "BRIDGE" to the "ON" position.

The speaker must be connected to the terminals immediately under the "BRIDGED" text as indicated in **Diagram 11**. All input selection and settings for the bridged channels will be done on the channel to the left.

Do not connect more than one speaker to the outputs of the bridged channel.

**Diagram 11**

### Control Output

The 12V output jack on the back of the amplifier can be used to turn on a variety of components equipped to be activated when they receive a 12V DC output. Voltage is only delivered to the jack when the amplifier is "on" or active. When the amplifier turns off, the voltage ceases.

Before connecting another device to the 12 output please make sure that the device can accept 12V DC at 1A. To connect the output to another device you must access the output jack with a two-conductor plug that fits into the 3.5mm jack. Be aware that the tip of the plug will be (+). If you are unsure about using this feature please contact an authorized PYLE dealer for assistance.



## INSTALLATION

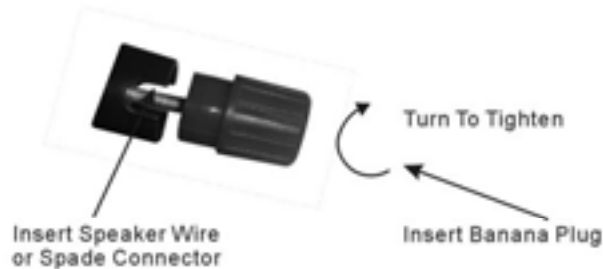
### Connecting the Speaker Wires

CAUTION: Only make connections when the amplifier is turned off.

### Using Standard Connections (See Diagram 12)

For best performance use high quality speaker cables. The banana plug outputs on the back of the amplifier allow for a variety of ways to connect your speakers to the amplifier.

### Diagram 12: Binding Post Detail



### Connecting the Line Level Audio Inputs

CAUTION: Only make connections when the amplifier is turned off.

There are three areas that an input signal can be connected, BUS, AUX and LINE IN. Refer to the System Design Examples to determine which is best suited for your application.

---

## INSTALLATION

### Audio Outputs

Sources connected to the "BUS" or "AUX" inputs can be forwarded to other components or amplifiers by connecting to the corresponding output sections to the right of each input section. By using standard audio patch cables, you can connect these outputs to the inputs of another amplifier. Up to 5 SpeakerCraft amplifiers can be daisy-chained together.

### AC Power

Plug the socket of the AC cord supplied with the amplifier into the receptacle on the rear of the amplifier. Plug the 2 prong plug directly into a 110V 60 Hz wall outlet.

**CAUTION:** Do not plug the amplifier into the preamplifier or receivers switched outlet. If you wish to have the amplifier turn on once the preamplifier or receiver is activated, use one of the turn on modes, voltage or audio.

---

## OPERATION

See **Diagram 1** for the location of the following:

### Active LED

When lit, the Active LED indicates that the amplifier is operating. Refer to the "Power Mode Selection" section of this manual for further information

### Level Adjustment Knobs

The level adjustment knobs on the back panel of the amplifier can be used to adjust the level of each channel. There are many reasons for needing to adjust the level. You may wish to closely match other levels in the system, or you may wish to limit the volume level in an area, such as a child's room.

## TROUBLESHOOTING

The amplifier is designed to function trouble-free. Most problems occur because of operating errors. If you have a problem please check the troubleshooting list first. If the problem persists, contact your authorized PYLE customer service at (718)535-1800

The Problem	Possible Causes And Solutions
No sound is heard on all channels.	<p>Audio cable to the source component is not connected properly or the cable is bad. Use another cable that you know is good.</p> <p>The Input Selection switch is positioned incorrectly. Refer to installation instructions for proper settings.</p> <p>Some or all of the internal fuses are blown. Return the amplifier to your dealer for servicing.</p>
No sound is heard on one or some channels.	<p>Audio cable to the source component is not connected properly or the cable is bad. Use another cable that you know is good.</p> <p>The Input Selection switch is positioned incorrectly. Refer to installation instructions for proper settings.</p> <p>The Bridging switch is positioned incorrectly. Refer to installation instructions for proper settings.</p> <p>Check the termination points of the speaker cable at both the amplifier and speaker. If using InstaLLock Connector, check the connections at the levers.</p> <p>A speaker is not working. Make sure by connecting the channel to a speaker that you know to be working.</p> <p>Continued on next page.)</p>

---

## TROUBLESHOOTING

<p>No sound is heard on one or some channels. (Continued)</p>	<p>The level adjustment on the channel is turned all the way down. Turn it clockwise to raise the volume.</p> <p>Some or all of the internal fuses are blown. Return the amplifier to your dealer for servicing.</p>
<p>Hum or buzzing sound is heard.</p>	<p>The sound may be caused by a ground loop in the system. Try to eliminate this by reversing the AC plugs of other components in the system.</p> <p>Other causes include faulty cables.</p>
<p>Amplifier will not turn on.</p>	<p>The amplifier must be plugged into a live outlet. The power switch on the front panel must be on.</p> <p>The Power Mode switch may be positioned incorrectly.</p>

## SPECIFICATIONS

### **Features:**

Peak Power: 1000Wx8

Three Color (L.E.D) Output Level Indicator

Bridgeable Amplifier

Independent Level Controls for Each Channel

Each Channel Can Be Set to Left, Right or Mono of the Bus,

Aux Inputs or it's Own Dedicated Input

Adjoining Channels are Bridgeable

Separate Protection Circuitry for Each Channel Pair

12V Control Output for Switching Auxiliary Devices On and Off

Pass Through Output Allows Daisy-Chaining of Multiple Amplifiers

5-Way Binding Posts

4U High

Dimensions: 19"w x 19.3"d x 7.1"h

Weight: 48.5 lbs



[PyleAudio.com](http://PyleAudio.com)

718.535.1800 718.236.2400 (fax)  
1600 63rd Street, Brooklyn NY 11204