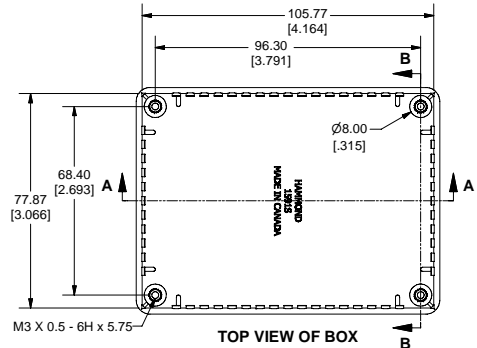
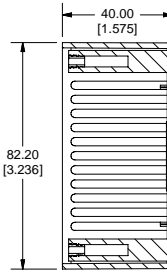


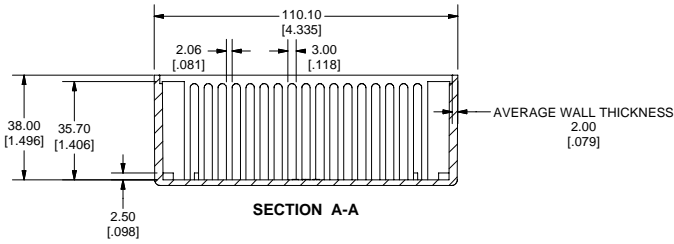
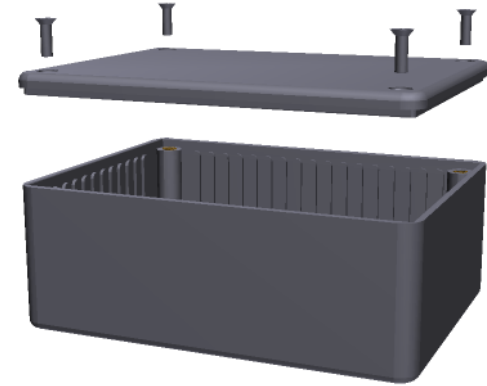
SIDE VIEW OF BOX



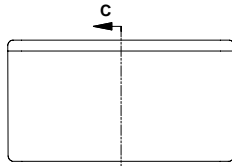
TOP VIEW OF BOX



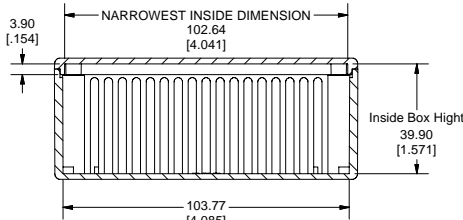
SECTION B-B



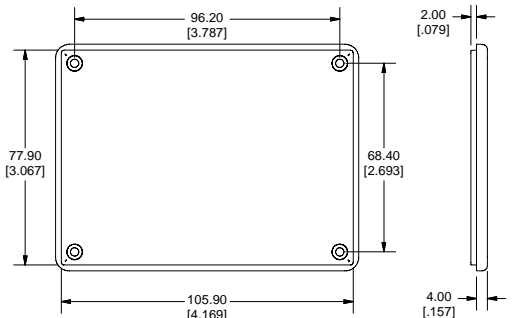
SECTION A-A



END VIEW OF ASSEMBLY

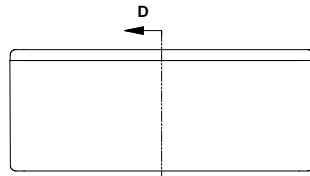


SECTION C-C

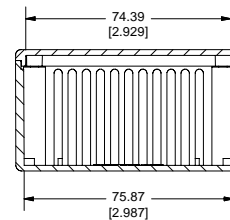


BOTTOM OF LID

SIDE OF LID



SIDE VIEW OF ASSEMBLY



SECTION D-D

Note:
Enclosures can be Factory Modified (Milling, Drilling, Printing etc.)
Contact Factory mjm@hammondmfg.com for quotes
Solid models of this enclosure available in STEP or IGES Format.

PART NUMBERS		
1591S Enclosures		
Material	Colour	Part Number
FR ABS UL94 - V0	Beige	1591SBG
	Black	1591SBK
	Blue	1591SBU
GP ABS	Grey	1591SGY
	Black	1591SSBK
	Grey	1591SSGY
Translucent Polycarbonate	Ice Blue	1591STBU
	IR Red	1591STRD
	Crystal Clear	1591STCL
Accessories		
	Description	Part Number
Universal Use	PC Board Card Adapters	See Accessories Section
	Clear Lids - clear, flame retardant polycarbonate - Lid ONLY	1591SC
FR ABS	Replacement Screws, Flat Head Phillips Nickel Plated Pkg of 100	1591MS100 1591MS100BK (Black)
GP ABS	Self Tapping Pkg of 100	1591TS100 1591TS100BK (Black)
Recommended Torque on Fasteners (no lubrication)		
	M3 - 0.5 x 10mm Screws	30-40 cN*m
	#4 x 0.5 Screws	30-40 cN*m

