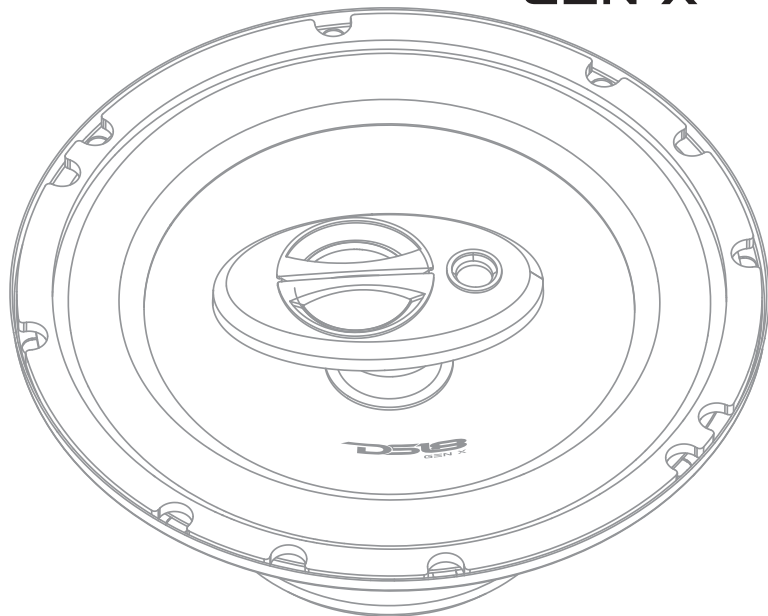


DS18

GEN X

DS18

GEN X



GEN X SPEAKER SERIES
Owner's Manual



FOR MORE INFORMATION PLEASE
VISIT OUR WEBSITE
www.DS18.com

WE LIKE IT LOUD    

MODELS:
GEN-X4 / GEN-X4.6 / GEN-X5.25 / GEN-X5.7
GEN-X6.5 / GEN-X6.5C / GEN-X6.9

D518 GEN X

SPEAKER SERIES

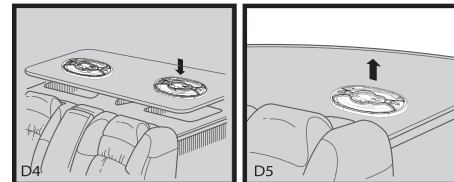
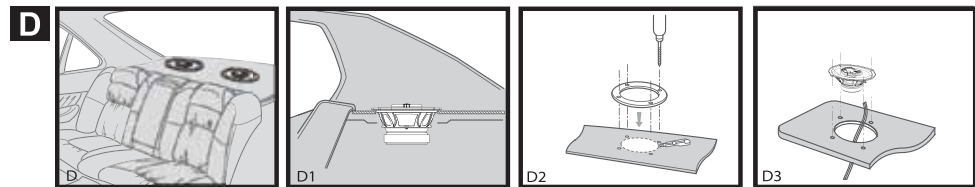
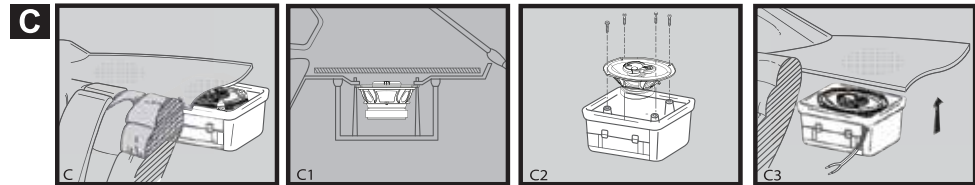
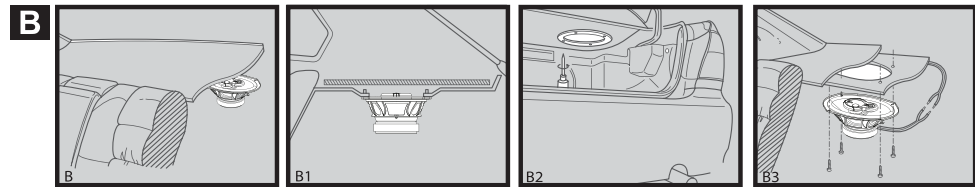
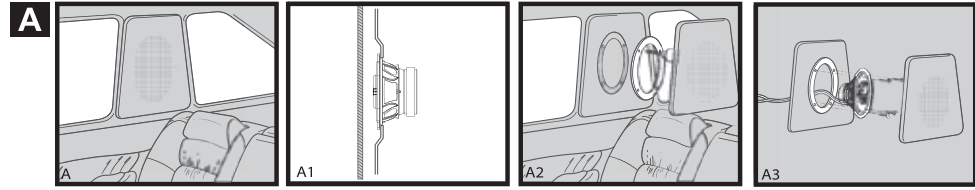
Please read the entire instruction manual before using the product and save it for future reference. We reserve the right for any errors in text or images and any necessary changes made to technical data. If you have any questions regarding technical problems please contact Customer Services.

SPECIFICATIONS

MODEL	GEN-X4	GEN-X4.6	GEN-X5.25	GEN-X5.7	GEN-X6.5	GEN-X6.9	GEN-X6.5C
SPEAKER DESIGN	2WAY	2WAY	2WAY	3WAY	3WAY	4WAY	2WAY
WOOFER	4"	4 x 6"	5.25"	5 x 7"	6.5"	6 x 9"	6.5"
MID	N/A	N/A	N/A	N/A	N/A	45mm	N/A
TWEETER ø	26mm	26mm	26mm	26 + 9mm	26 + 9mm	26 + 18mm	38mm
RATED IMPEDANCE	4 OHM	4 OHM	4 OHM	4 OHM	4 OHM	4 OHM	4 OHM
RATED POWER	40W	45W	45W	50W	50W	60W	50W
MAX POWER	120W	135W	135W	150W	150W	180W	150W
SENSITIVITY	83dB/W/M	83dB/W/M	83dB/W/M	85dB/W/M	85dB/W/M	87dB/W/M	86dB/W/M
FREQUENCY	120-20KHz	105-20KHz	90-20KHz	78-20KHz	75-20KHz	65-20KHz	76-20KHz
MOUNTING HOLE ø	94mm	140mm x 92mm	115mm	178x126mm	142mm	150 x 220mm	142mm
TOP MOUNT DEPTH (NO GRILL)	50.5mm	50mm	56mm	64mm	60mm	84mm	63mm
TOP MOUNT DEPTH (INCLUDED GRILL)	68.mm	/	75mm	/	78mm	108.2mm	82.5mm
BOTTOM MOUNT DEPTH	42.7mm	45.8mm	49.mm	53.8mm	54mm	76.5.mm	57.2mm
TWEETER PROTRUSION	6.5mm	8.7mm	6mm	5.5mm	5.5mm	9mm	/
GRILLES	YES	NO	YES	NO	YES	YES	YES
TWEETER MAGNET MATERIAL	NdFeB	NdFeB	NdFeB	NdFeB	NdFeB	Ferrite	NdFeB
TWEETER DOME MATERIAL	Mylar	Mylar	Mylar	Mylar	Mylar	Mylar	Tetorn
TWEETER DESIGN	Coaxial 1WAY	Coaxial 1WAY	Coaxial 1WAY	Coaxial 2WAY	Coaxial 2WAY	Coaxial 3WAY	Flush Mounting Separate
WOOFER CONE MATERIAL	Paper	Paper	Paper	Paper	Paper	Paper	Paper
WOOFER SURROUND	Rubber	Rubber	Rubber	Rubber	Rubber	Rubber	Rubber

INSTALLATION

Refer to your car stereo owner's manual.



WE LIKE IT
LOUD