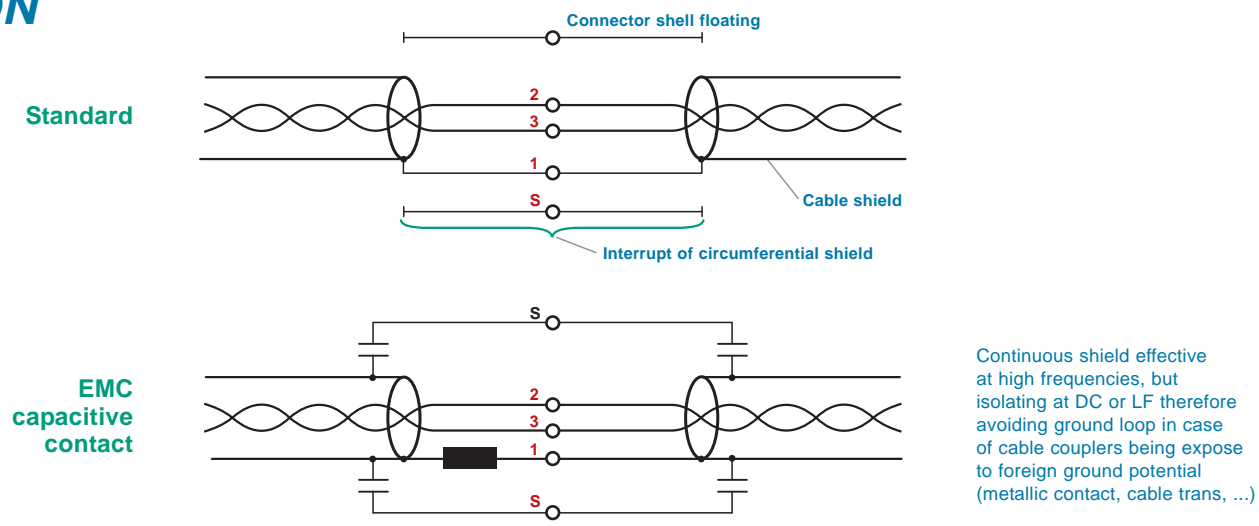
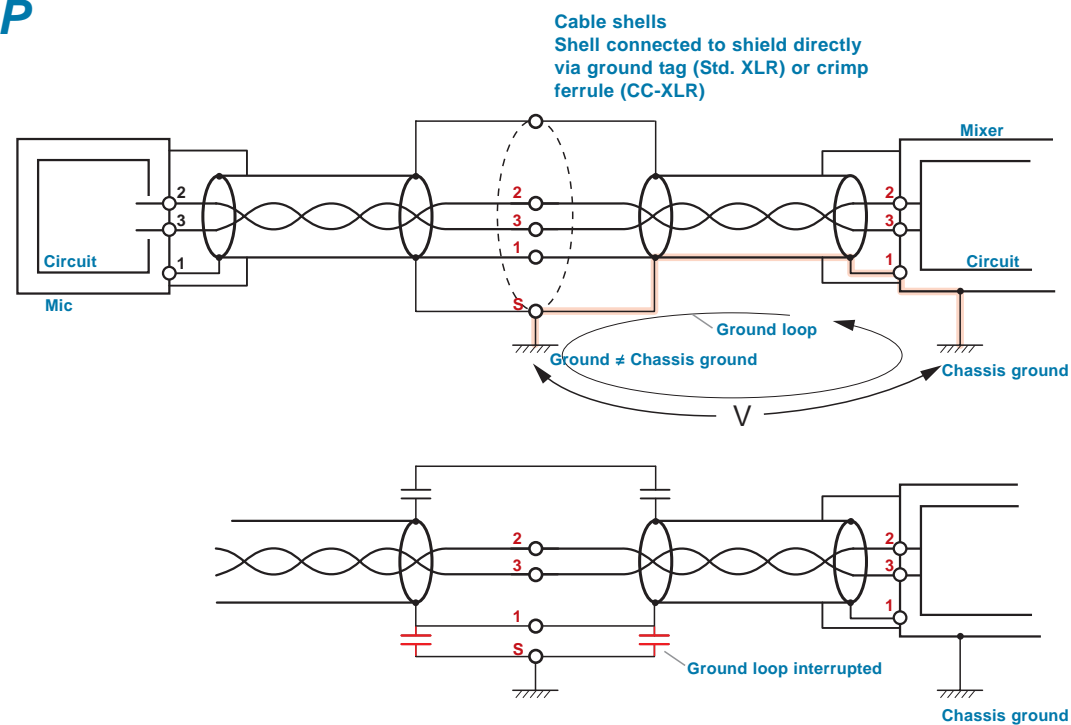


# Typical Applications **EMC-XLR**

## RF REJECTION



## GROUND LOOP



## PIN 1 PROBLEM

