

METAL CBU MAINTENANCE MANUAL



TYPES I, II, III & IV 1570 "F" SERIES

**POSTAL PRODUCTS
UNLIMITED, INC.™**

500 W. OKLAHOMA AVE.
MILWAUKEE, WI 53207

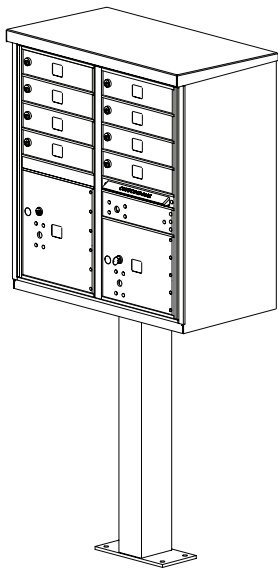
Phone: 800-229-4500
FAX: 800-570-0007

www.postalproducts.com

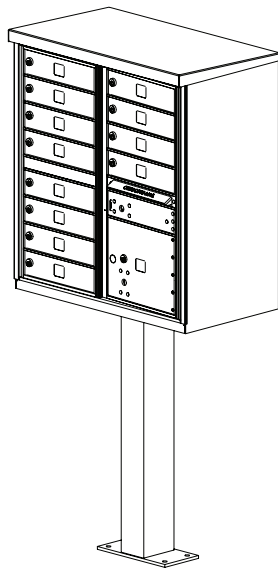


CBU BOX TYPES

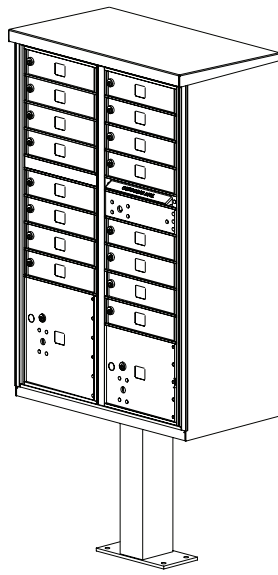
TYPES I, II, III & IV



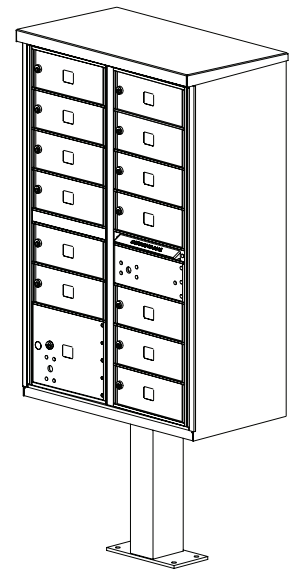
TYPE I



TYPE II



TYPE III



TYPE IV

	TYPE I	TYPE II	TYPE III	TYPE IV
INSTALLING HEIGHT	62"	62"	62"	62"
DEPTH	17 7/8"	17 7/8"	17 7/8"	17 7/8"
WIDTH	30 1/2"	30 1/2"	30 1/2"	30 1/2"
WEIGHT (WITHOUT PEDESTAL)	107 lbs.	111 lbs.	147 lbs.	137 lbs.
WEIGHT (WITH PEDESTAL)	125 lbs.	129 lbs.	162 lbs.	152 lbs.
QTY OF STANDARD COMPARTMENTS	8	12	16	13
QTY OF PARCEL COMPARTMENTS	2	1	2	1
PARCEL COMPARTMENT HEIGHT	10", 13"	10"	10", 13"	10"

TABLE OF CONTENTS

TYPES I, II, III & IV

DESCRIPTION	PAGE
REPLACEMENT OF MASTER LOADING DOOR HOLD OPEN MECHANISM	4
REMOVAL OF INSERT ASSEMBLY	6
REPLACEMENT OF MASTER LOADING DOOR	8
REPLACEMENT OF HINGE ROD	10
REPLACEMENT OF RIGHT SIDE PATRON COMPARTMENT DOOR	12
REPLACEMENT OF ARROW LOCK DOOR	14
REPLACEMENT OF RIGHT SIDE PARCEL DOOR	16
REPLACEMENT OF LEFT SIDE PATRON COMPARTMENT DOOR	18
REPLACEMENT OF LEFT SIDE PARCEL DOOR	20
REPLACEMENT OF 910A PATRON LOCK	22
REPLACEMENT OF ARROW LOCK	24
REPLACEMENT OF ARROW LOCK LATCH/SLIDE HANDLE	26
REPLACEMENT OF PARCEL LOCK ASSEMBLY	28
REPLACEMENT OF PARCEL DOOR SPRING	30
REPLACEMENT OF SHELF	32
REPLACEMENT OF MASTER LOADING DOOR SLIDE MECHANISM	34
REPLACEMENT OF PEDESTAL	36
PARTS LIST	38

REPLACEMENT OF MASTER LOADING DOOR HOLD OPEN MECHANISM

TYPES I, II, III & IV

1. OPEN MASTER LOADING DOORS.
2. TO DISENGAGE HOLD OPEN MECHANISM: REMOVE ONE (1) 1055301 6-32 TORX HEAD SHOULDER SCREW.
3. TO REPLACE HOLD OPEN MECHANISM: REMOVE INSERT ASSEMBLY (SEE INSTRUCTIONS PAGE 6).
4. DRILL OUT SEVEN (7) SSD43SSBS 1/8" POP RIVETS AND REMOVE THE 1055306 HOLD OPEN GUARD AND THE 1055305 LATCH HOLD OPEN BRACKET (LEFT SIDE); 1055303 LATCH HOLD OPEN BRACKET (RIGHT SIDE).
5. REMOVE/REPLACE 1055340 HOLD OPEN ARM.
6. REPLACE HOLD OPEN GUARD AND HOLD OPEN BRACKET - REPLACE SEVEN (7) SSD43SSBS 1/8" POP RIVETS.
7. REATTACH HOLD OPEN ARM WITH 1055301 6-32 TORX HEAD SHOULDER SCREW.
8. CLOSE MASTER LOADING DOORS.

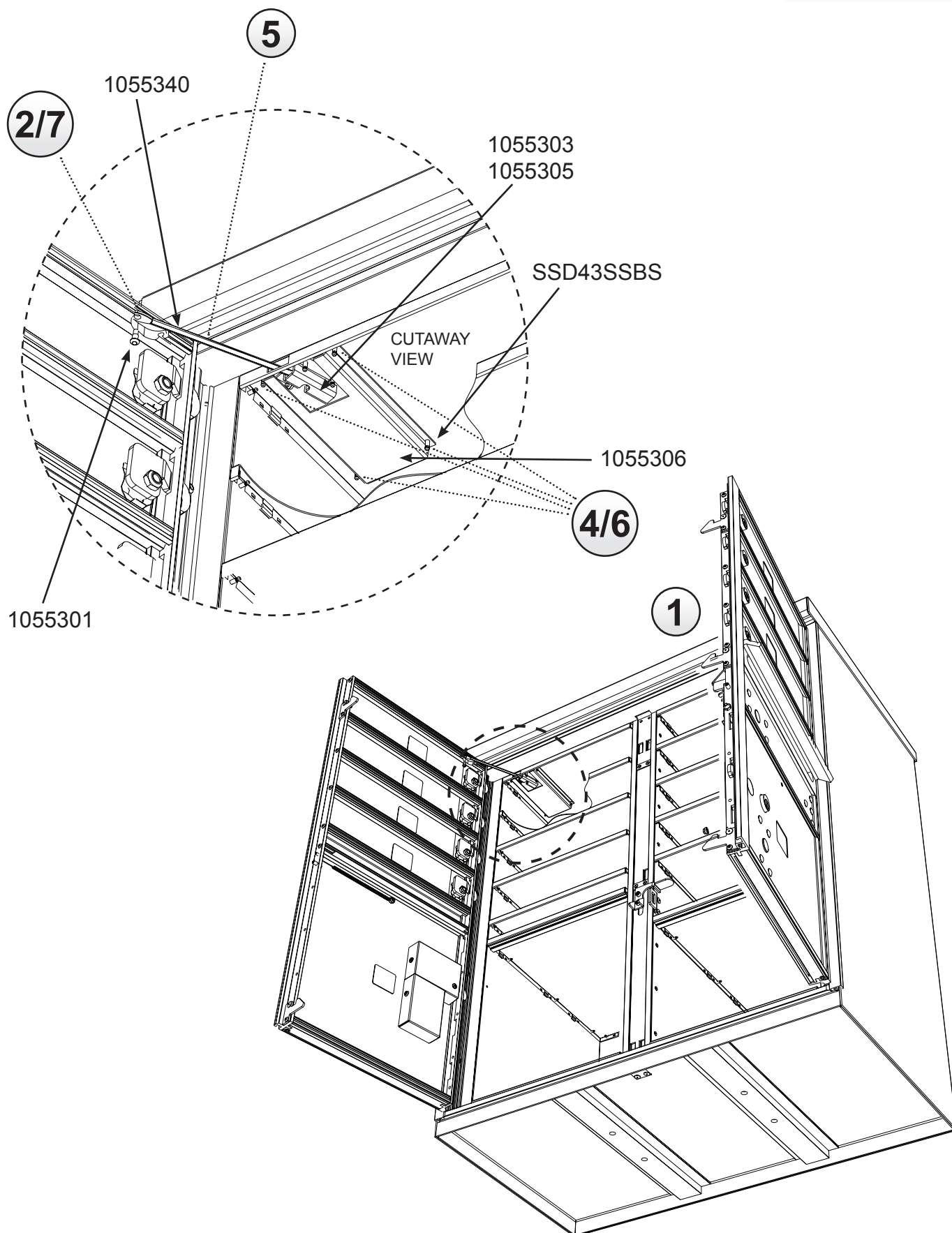


REQUIRED TOOLS
CORDLESS DRILL
PORTABLE POP RIVET GUN
1/8" DRILL BIT
T-15 TORX SCREWDRIVER/BIT

PART #	DESCRIPTION
SSD43SSBS	1/8" DIA X .328" POP RIVET SS
1055301	6-32 X .187 TORX HEAD SCREW
1055303	LATCH HOLD OPEN BRACKET - RT
1055305	LATCH HOLD OPEN BRACKET - LT
1055306	HOLD OPEN GUARD
1055340	HOLD OPEN ARM

REPLACEMENT OF MASTER LOADING DOOR HOLD OPEN MECHANISM

CONTINUED



S1029148 - CBU100 REV 1

REMOVAL OF INSERT ASSEMBLY

TYPES I, II, III & IV

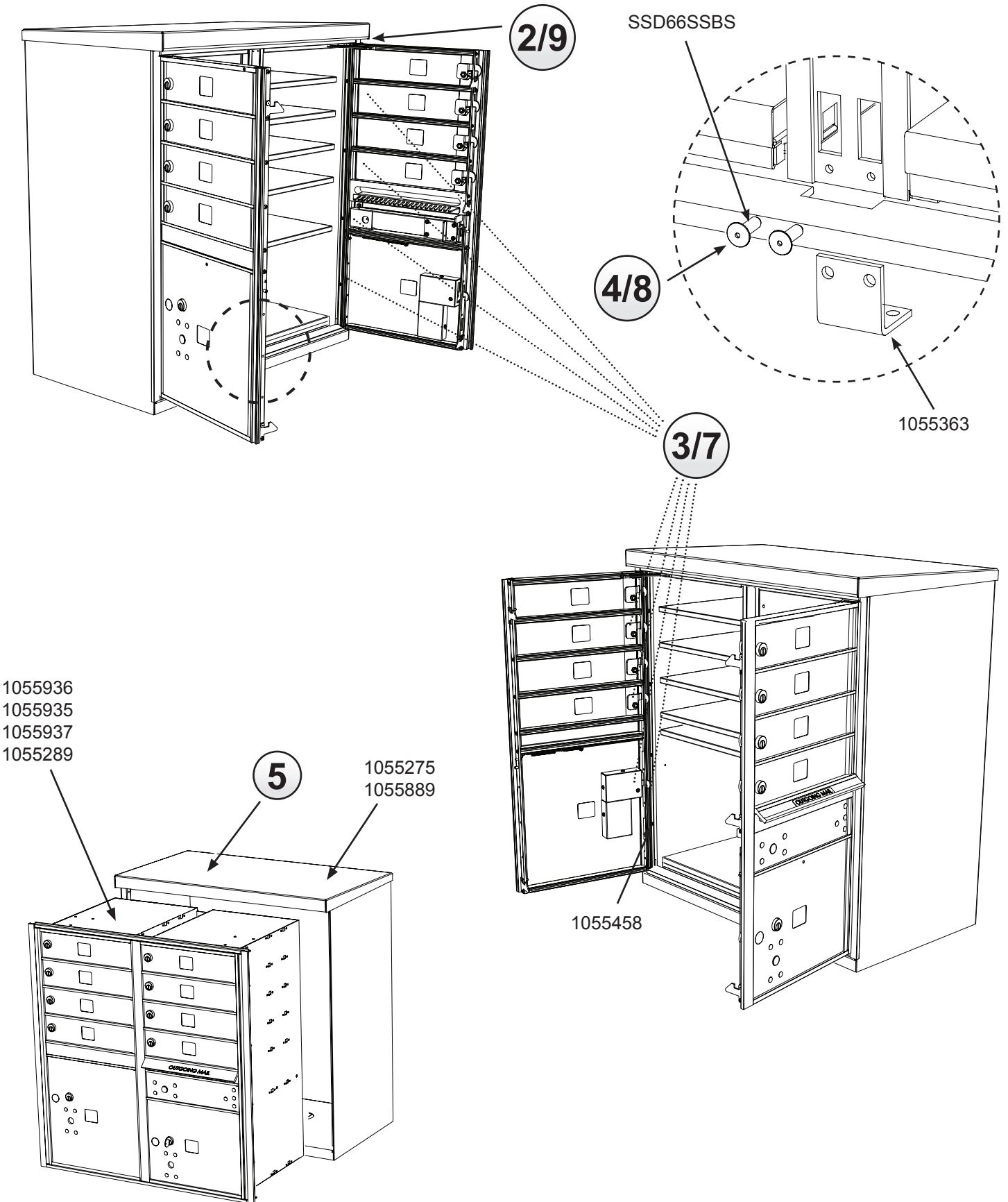
1. OPEN MASTER LOADING DOORS.
2. DISENGAGE HOLD OPEN MECHANISMS (SEE INSTRUCTIONS PAGE 4).
3. [FOR TYPES I, II] REMOVE EIGHT (8) 1055458 8-32 TORX HEAD SCREWS FROM INSERT ASSEMBLY. [FOR TYPES III, IV] REMOVE TWELVE (12) 1055458 8-32 TORX HEAD SCREWS FROM INSERT ASSEMBLY.
4. DRILL OUT FOUR (4) SSD66SSBS 3/16" POP RIVETS AT BOTTOM OF SLIDE MECHANISM AND REMOVE BRACKET 1055363.
5. SLIDE INSERT ASSEMBLY OUT PARTIALLY TO MAKE REPAIRS TO MASTER LOADING DOORS, OTHERWISE REMOVE INSERT ASSEMBLY AND LAY FLAT ON BACK.
6. REPLACE WITH NEW INSERT ASSEMBLY.
7. [FOR TYPES I, II] REPLACE EIGHT (8) 1055458 8-32 TORX HEAD SCREWS FROM INSERT ASSEMBLY. [FOR TYPES III, IV] REPLACE TWELVE (12) 1055458 8-32 TORX HEAD SCREWS FROM INSERT ASSEMBLY.
8. REPLACE FOUR (4) SSD66SSBS 3/16" POP RIVETS AT BOTTOM OF SLIDE MECHANISM AND REPLACE BRACKET.
9. REPLACE HOLD OPEN MECHANISMS (SEE INSTRUCTIONS PAGE 6) AND CLOSE MASTER LOADING DOORS.

REQUIRED TOOLS
PORTABLE DRILL
T-20 TORX HEAD SCREWDRIVER/BIT
PORTABLE POP RIVET GUN
HAMMER
PLIERS

PART #	DESCRIPTION
1055275	CABINET ASSEM. FOR TYPE III, IV
SSD66SSBS	3/16" DIA X .55 L SS POP RIVET
1055936	INSERT ASSEM. FOR TYPE I
1055889	CABINET ASSEM. FOR TYPE I, II
1055458	8-32 X 1/2" TORX HEAD SCREW
1055363	STIFFENER BRACKET
1055935	INSERT ASSEM. FOR TYPE IV
1055937	INSERT ASSEM. FOR TYPE II
1055289	INSERT ASSEM. FOR TYPE III

REMOVAL OF INSERT ASSEMBLY

CONTINUED



REPLACEMENT OF MASTER LOADING DOOR

TYPES I, II, III & IV

1. OPEN MASTER LOADING DOORS.
2. DISENGAGE HOLD OPEN MECHANISMS FROM TOP OF MASTER LOADING DOORS (SEE INSTRUCTIONS PAGE 4).
3. REMOVE INSERT ASSEMBLY (SEE INSTRUCTIONS PAGE 6).
4. CLOSE MASTER LOADING DOORS AND REMOVE FOUR (4) 1055300 8-32 STAINLESS STEEL TORX HEAD SCREWS.
5. REMOVE ONE (1) 1055338 TOP FRAME BRACE EXPOSING MASTER LOADING DOOR HINGES.
6. SLIDE MASTER LOADING DOOR OUT THROUGH TOP OF INSERT ASSEMBLY AND REPLACE WITH NEW MASTER LOADING DOOR.
7. CLOSE MASTER LOADING DOORS AND REPLACE FOUR (4) 1055300 8-32 STAINLESS STEEL TORX HEAD SCREWS. REPLACE ONE (1) 1055338 TOP FRAME BRACE CONCEALING MASTER LOADING DOOR HINGES.
8. REPLACE INSERT ASSEMBLY (SEE INSTRUCTIONS PAGE 6).
9. REPLACE HOLD OPEN MECHANISM (SEE INSTRUCTIONS PAGE 4).

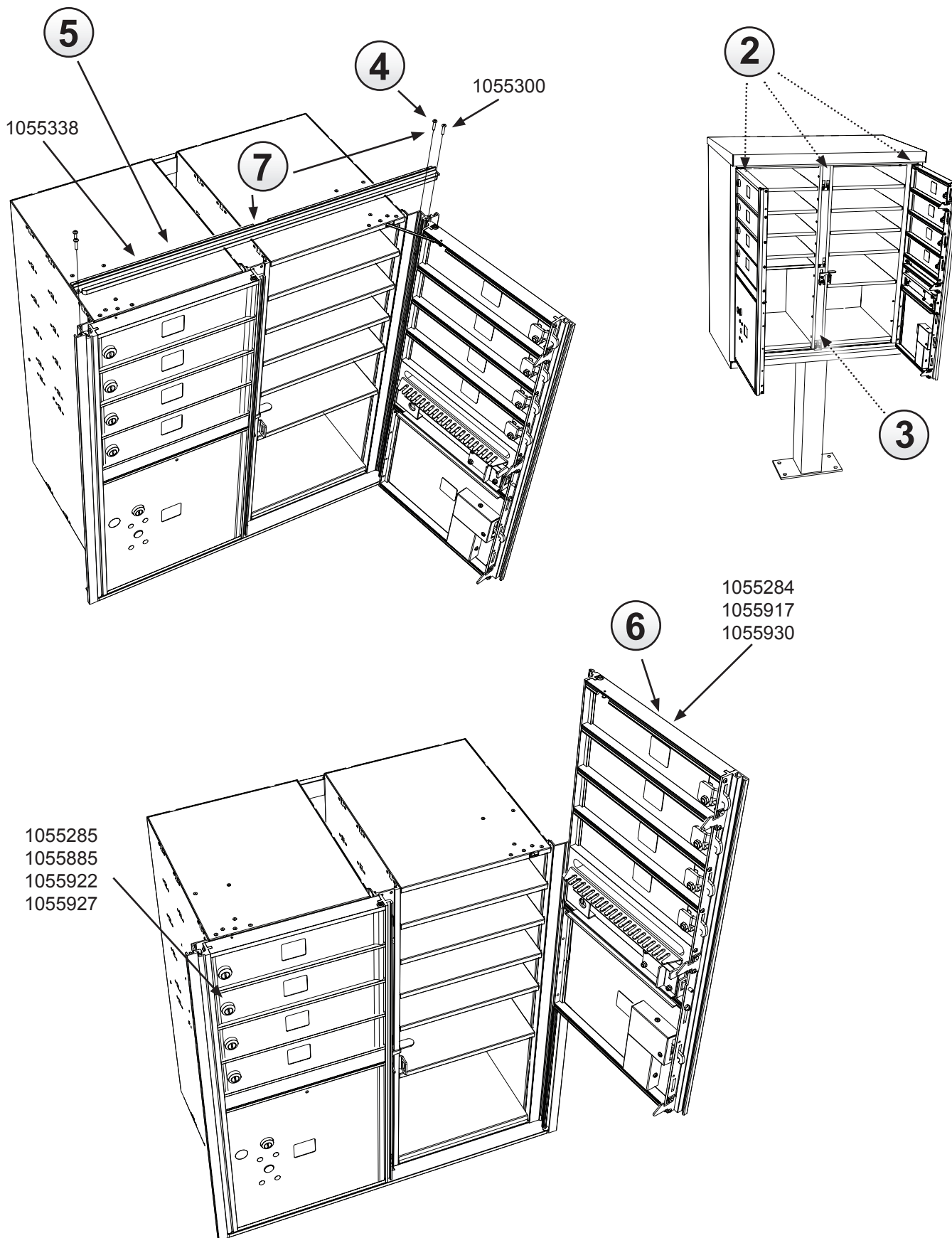


REQUIRED TOOLS
T-15 TORX HEAD SCREWDRIVER/BIT
PORTABLE DRILL
PLIERS

PART #	DESCRIPTION
1055300	8-32 X .75" SS TORX HEAD SCREW
1055338	TOP FRAME BRACE
1055284	RIGHT MLD ASSEM. FOR TYPE III
1055285	LEFT MLD ASSEM. FOR TYPE III
1055917	RIGHT MLD ASSEM. FOR TYPES I, II
1055885	LEFT MLD ASSEM. FOR TYPE I
1055922	LEFT MLD ASSEM. FOR TYPE II
1055927	LEFT MLD ASSEM. FOR TYPE IV
1055930	RIGHT MLD ASSEM. FOR TYPE IV

REPLACEMENT OF MASTER LOADING DOOR

CONTINUED



1. OPEN MASTER LOADING DOORS.
2. DISENGAGE HOLD OPEN MECHANISMS FROM TOP OF MASTER LOADING DOORS (SEE INSTRUCTIONS PAGE 4).
3. COMPLETELY OPEN MASTER LOADING DOOR SO THAT THE HINGE PIN IS VISIBLE AND/OR COMPLETELY REMOVE INSERT ASSEMBLY (SEE INSTRUCTIONS PAGE 6).
4. REMOVE ONE (1) 129155 10-32 HEX LOCK NUT.
5. WITH THE HAMMER AND 1/8" ROD, TAP THE HINGE ROD TO DISLodge THE 1055362 THREADED INSERT.

WARNING: DOORS CAN FALL OUT WITH HINGE PIN REMOVED.

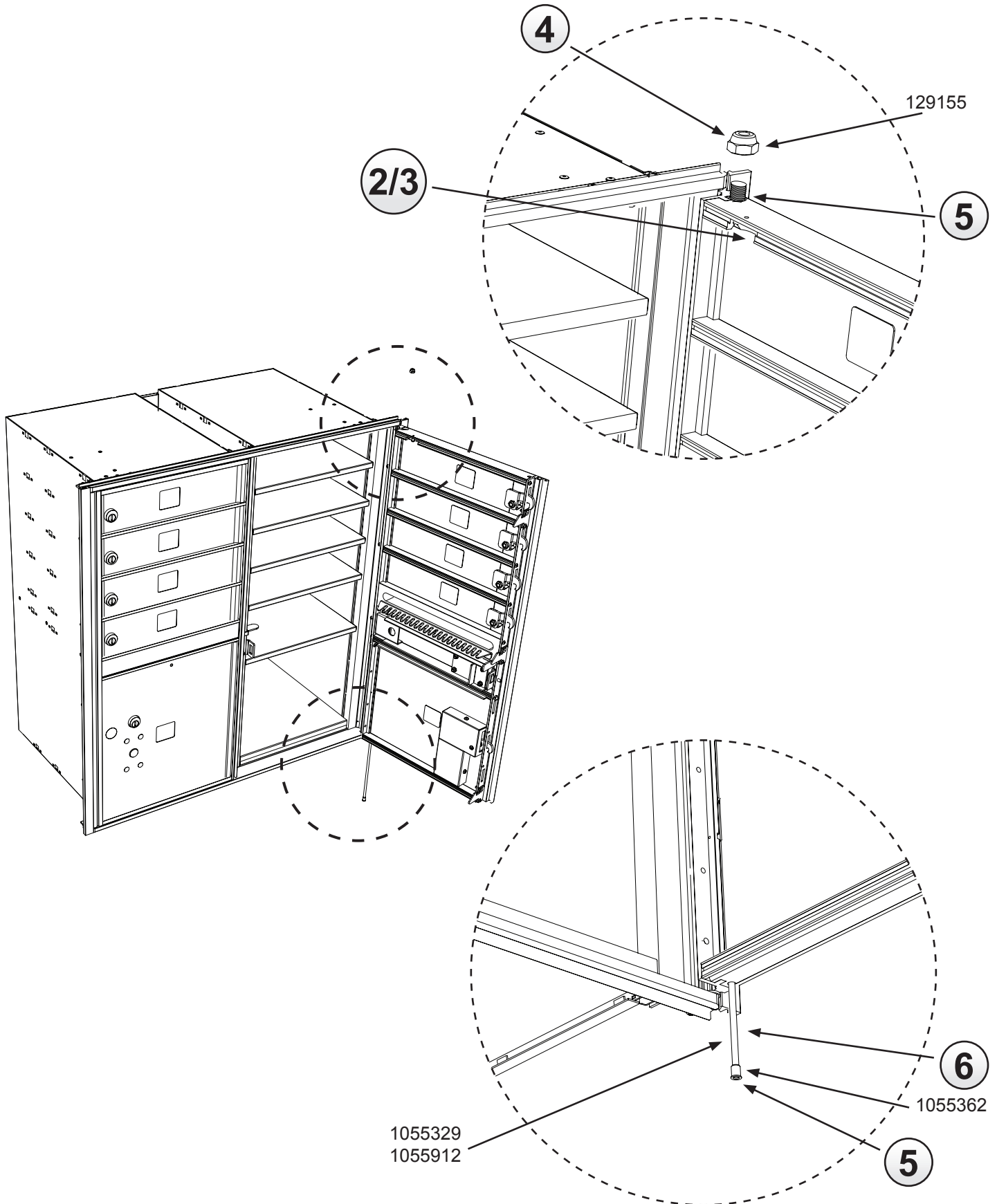
6. PULL OUT HINGE ROD WITH PLIERS FROM THE BOTTOM.
7. REPLACE HINGE ROD BY REVERSING STEPS 4-6, USING A CORDLESS DRILL ATTACHED TO THE HINGE ROD TO EASE THE INSERTION INTO THE MASTER LOADING DOOR (IF NECESSARY).
8. REPLACE HOLD OPEN MECHANISM (SEE INSTRUCTIONS PAGE 4).

REQUIRED TOOLS
1/8" ROD
PORTABLE DRILL
HAMMER
PLIERS

PART #	DESCRIPTION
129155	10-32 HEX LOCK NUT
1055329	HINGE ROD (TYPE III AND IV)
1055912	HINGE ROD (TYPE I AND II)
1055362	THREADED INSERT

REPLACEMENT OF HINGE ROD

CONTINUED



S1029148 - CBU100 REV 1

REPLACEMENT OF RIGHT SIDE PATRON COMPARTMENT DOOR

TYPES I, II, III & IV

1. OPEN MASTER LOADING DOORS.
2. DISENGAGE HOLD OPEN MECHANISM FROM TOP OF MASTER LOADING DOOR (SEE INSTRUCTIONS PAGE 4).
3. REMOVE HINGE ROD (SEE INSTRUCTIONS PAGE 10).
4. REPLACE COMPARTMENT DOOR 1055350 FOR TYPE I, II, AND III, OR 1055904 FOR TYPE IV.
5. REINSTALL HINGE ROD (SEE INSTRUCTIONS PAGE 10).
6. REPLACE HOLD OPEN MECHANISM (SEE INSTRUCTIONS PAGE 4).
7. INSTALL PATRON LOCK ASSEMBLY (SEE INSTRUCTIONS PAGE 22).

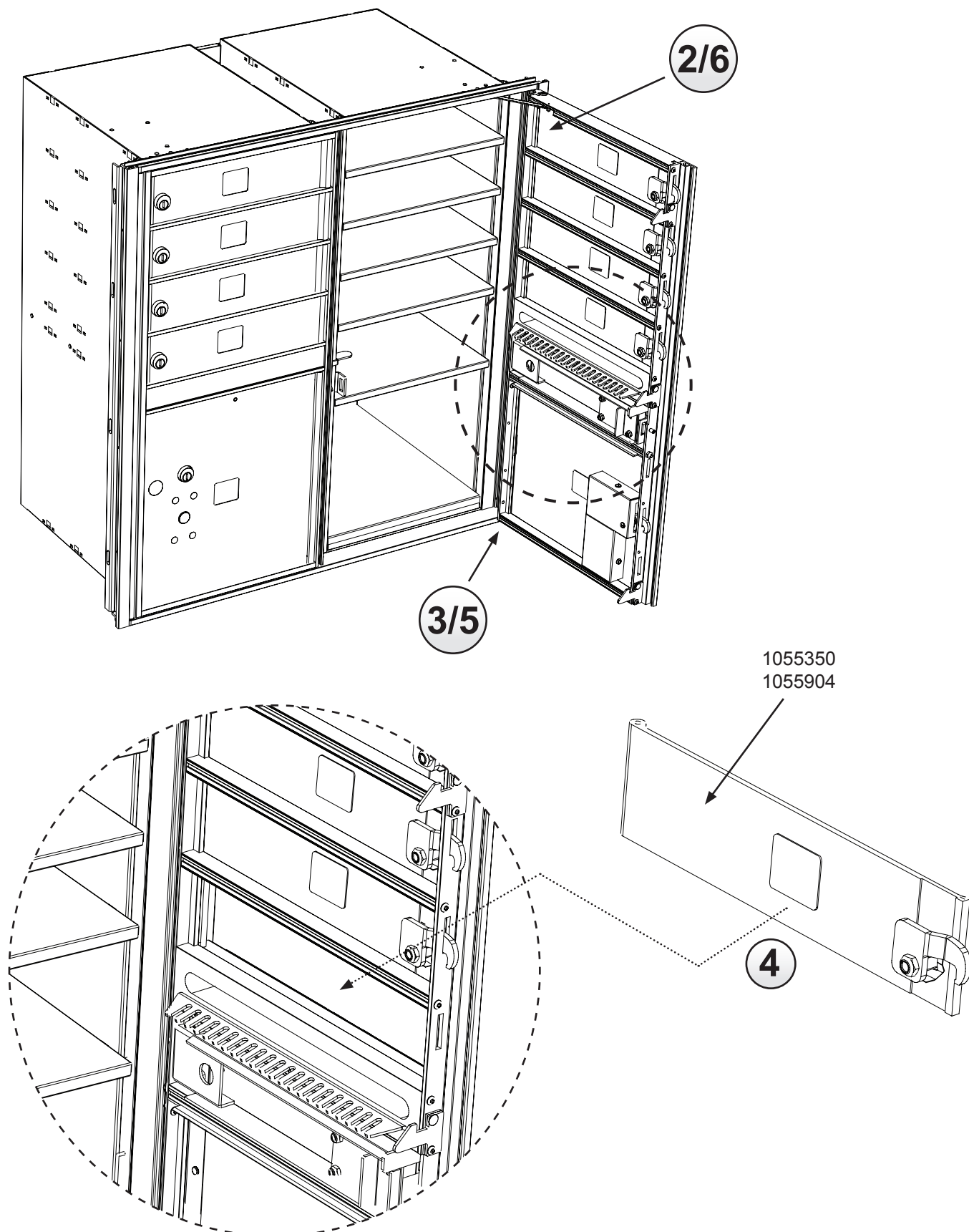


REQUIRED TOOLS
1/8" ROD
PORTABLE DRILL
HAMMER
PLIERS

PART #	DESCRIPTION
1055329	HINGE ROD (TYPE III AND IV)
1055904	5" COMPARTMENT DOOR
1055350	3" COMPARTMENT DOOR
1055912	HINGE ROD (TYPE I AND II)

REPLACEMENT OF RIGHT SIDE PATRON COMPARTMENT DOOR

CONTINUED



1. OPEN MASTER LOADING DOORS.
2. DISENGAGE HOLD OPEN MECHANISM FROM TOP OF MASTER LOADING DOOR (SEE INSTRUCTIONS PAGE 4).
3. REMOVE HINGE ROD (SEE INSTRUCTIONS PAGE 10).
4. REPLACE COLLECTION DOOR 1055279 FOR TYPES I, II, AND III, OR 1055909 FOR TYPE IV.
5. REINSTALL HINGE ROD (SEE INSTRUCTIONS PAGE 10).
6. REPLACE HOLD OPEN MECHANISM (SEE INSTRUCTIONS PAGE 4).
7. INSTALL ARROW LOCK (SEE INSTRUCTIONS PAGE 24).

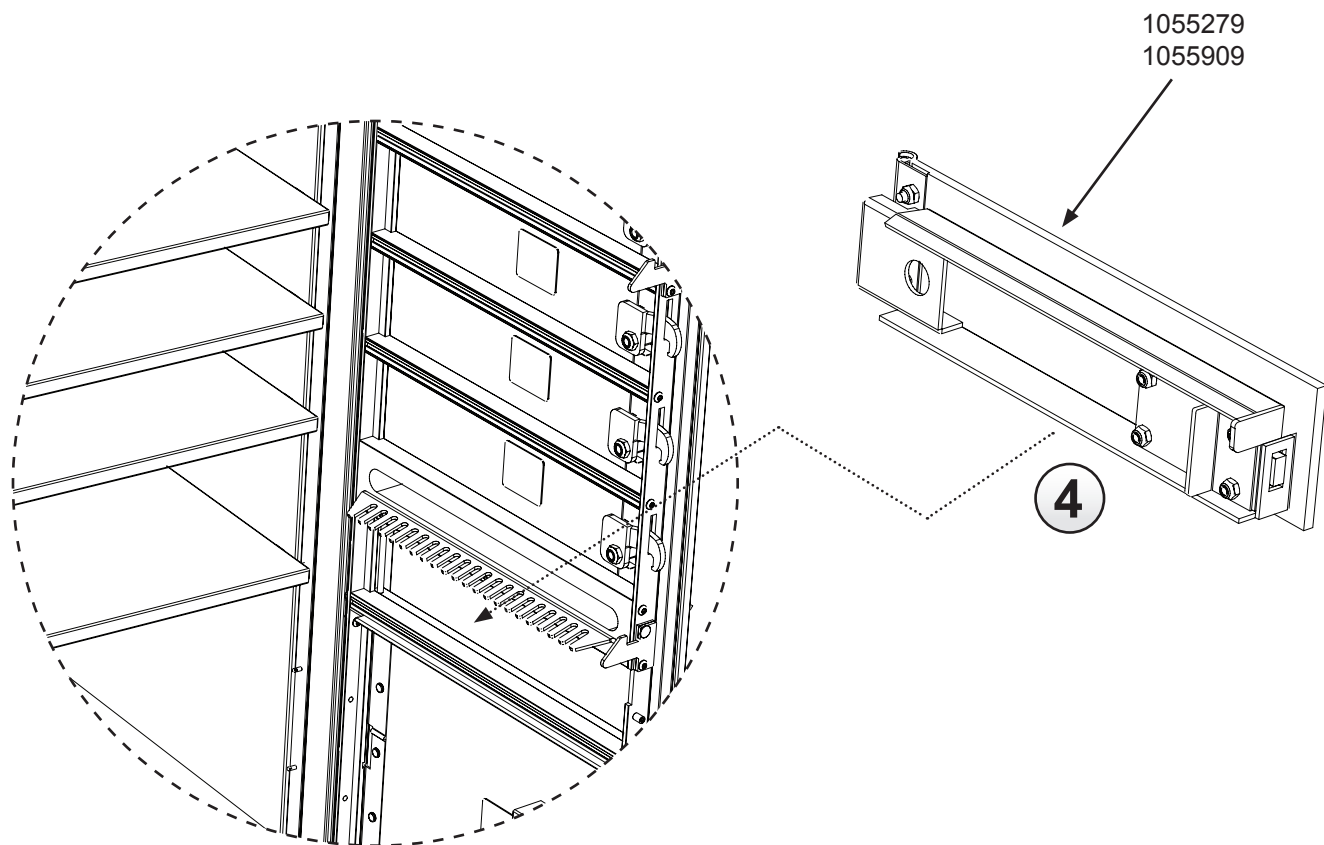
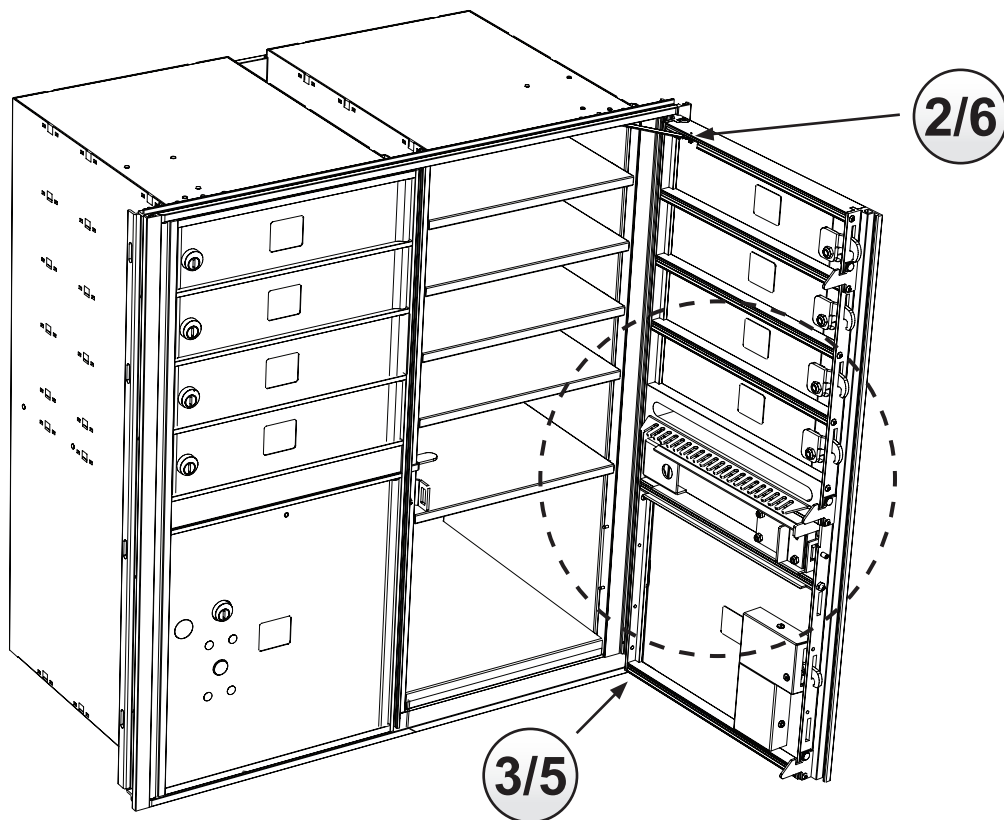


REQUIRED TOOLS
1/8" ROD
PORTABLE DRILL
HAMMER
PLIERS

PART #	DESCRIPTION
1055329	HINGE ROD (TYPE III AND IV)
1055279	3" COLLECTION DOOR
1055909	5" COLLECTION DOOR
1055912	HINGE ROD (TYPE I AND II)

REPLACEMENT OF ARROW LOCK DOOR

CONTINUED



1. OPEN MASTER LOADING DOOR.
2. DISENGAGE HOLD OPEN MECHANISM (SEE INSTRUCTIONS PAGE 4).
3. REMOVE PARCEL DOOR SPRING (SEE INSTRUCTIONS PAGE 30).
4. REMOVE HINGE ROD (SEE INSTRUCTIONS PAGE 10).
5. REPLACE PARCEL DOOR 1055286.
6. REINSTALL HINGE ROD (SEE INSTRUCTIONS PAGE 10).
7. REPLACE PARCEL DOOR SPRING (SEE INSTRUCTIONS PAGE 30).
8. REPLACE HOLD OPEN MECHANISM (SEE INSTRUCTIONS PAGE 4).
9. INSTALL LOCK MECHANISM (SEE INSTRUCTIONS PAGE 28).

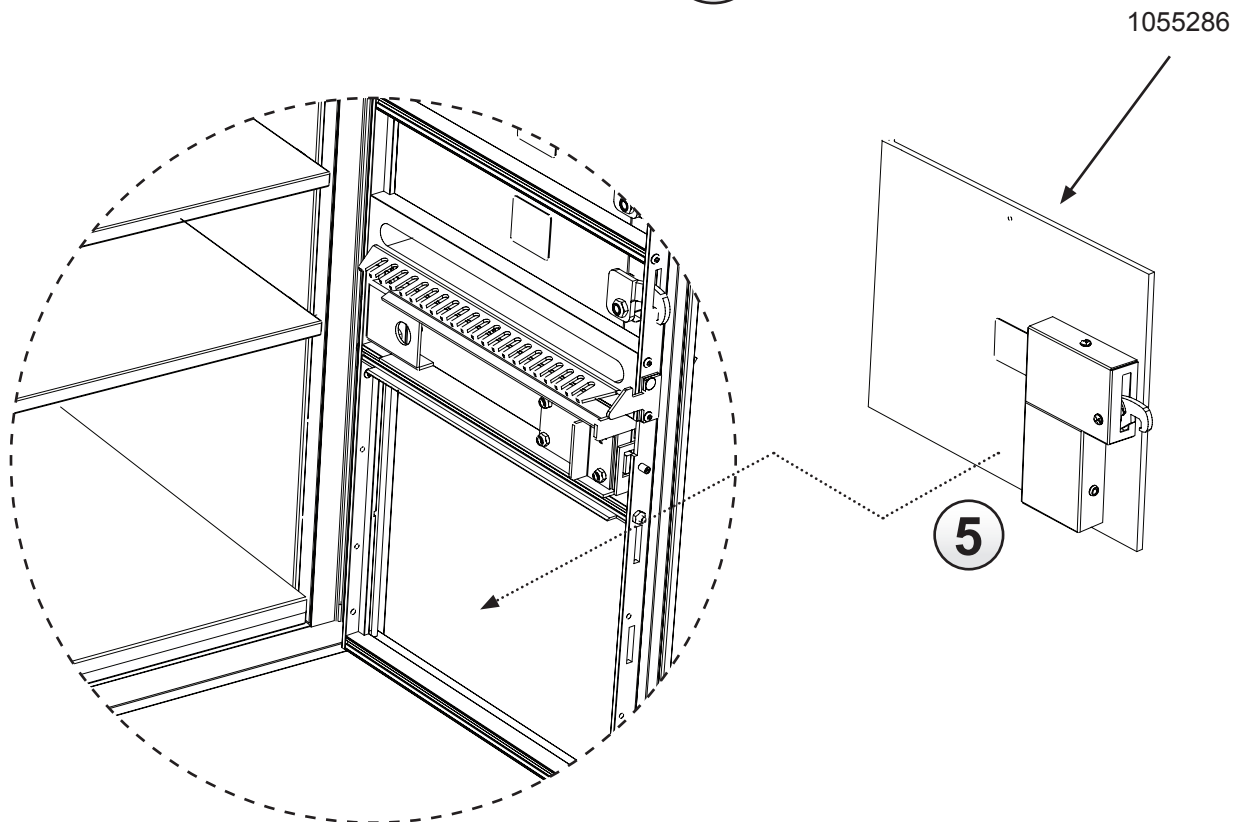
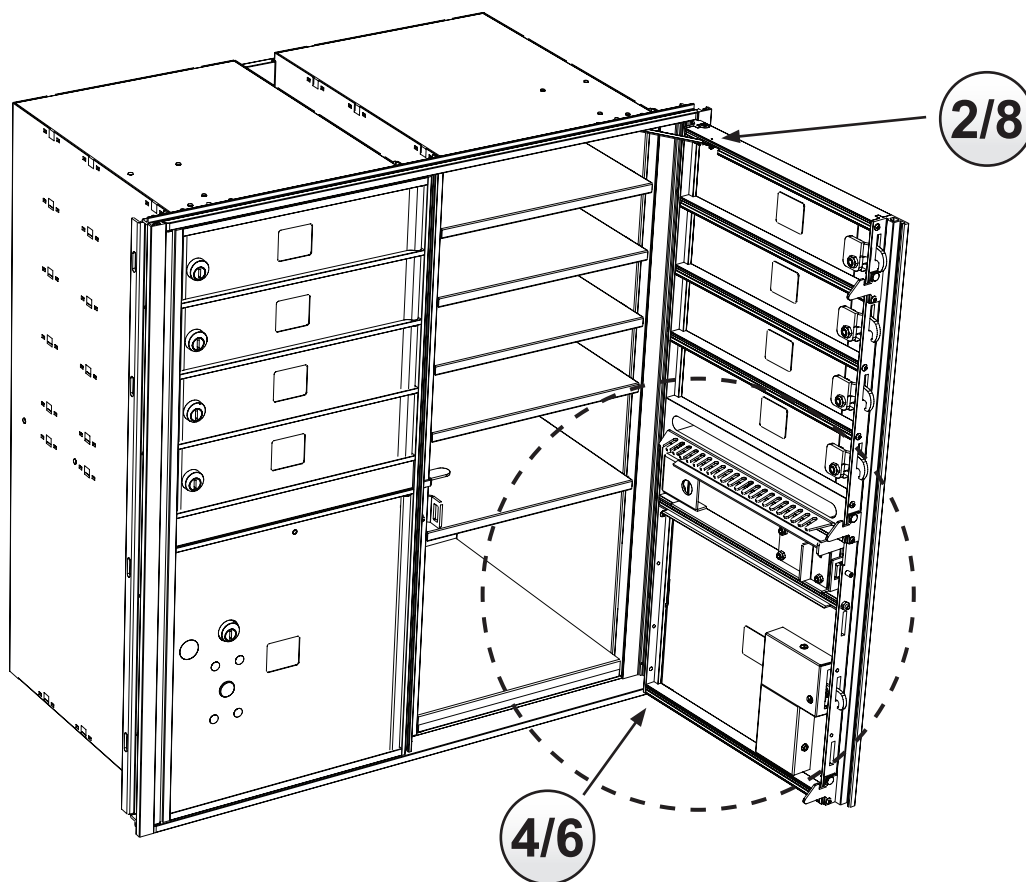


REQUIRED TOOLS
1/8" ROD
PORTABLE DRILL
HAMMER
PLIERS

PART #	DESCRIPTION
1055329	HINGE ROD (TYPE III AND IV)
1055286	PARCEL DOOR ASSEMBLY
1055912	HINGE ROD (TYPE I AND II)

REPLACEMENT OF RIGHT SIDE PARCEL DOOR

CONTINUED



REPLACEMENT OF LEFT SIDE PATRON COMPARTMENT DOOR

TYPES I, II, III & IV

1. COMPLETELY OPEN LEFT SIDE MASTER DOOR SO THAT THE HINGE ROD IS VISIBLE.
2. REMOVE HINGE ROD (SEE INSTRUCTIONS PAGE 10).
3. REPLACE COMPARTMENT DOOR 1055350 FOR TYPE I, II, AND III, OR 1055904 FOR TYPE IV.
4. REINSTALL HINGE ROD (SEE INSTRUCTIONS PAGE 10).
5. INSTALL LOCK MECHANISM (SEE INSTRUCTIONS PAGE 22).

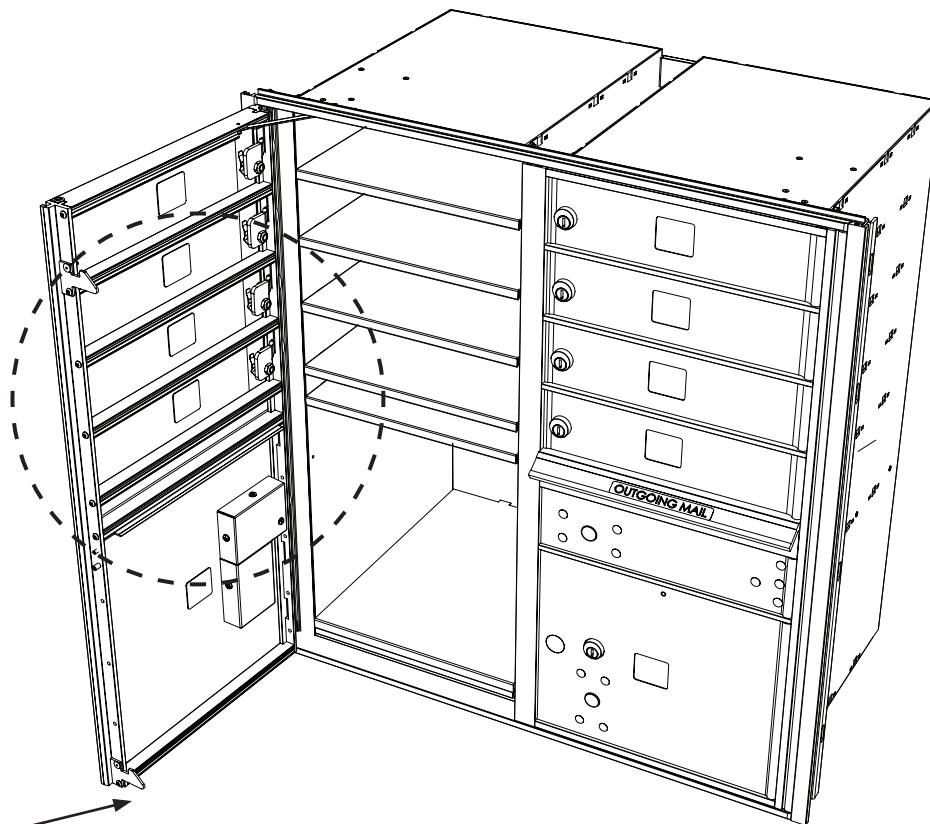


REQUIRED TOOLS
1/8" ROD
PORTABLE DRILL
HAMMER
PLIERS

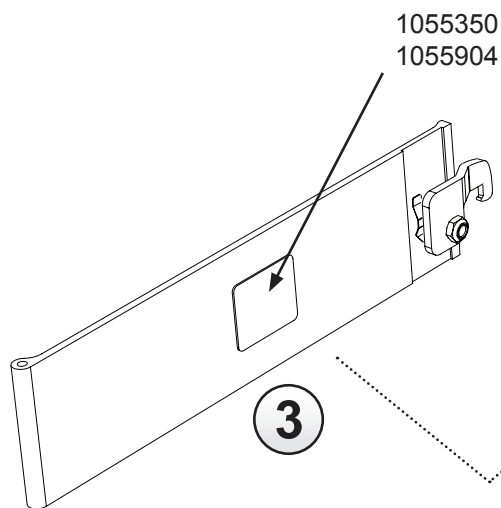
PART #	DESCRIPTION
1055329	HINGE ROD (TYPE III AND IV)
1055904	5" COMPARTMENT DOOR
1055350	3" COMPARTMENT DOOR
1055912	HINGE ROD (TYPE I AND II)

REPLACEMENT OF LEFT SIDE PATRON COMPARTMENT DOOR

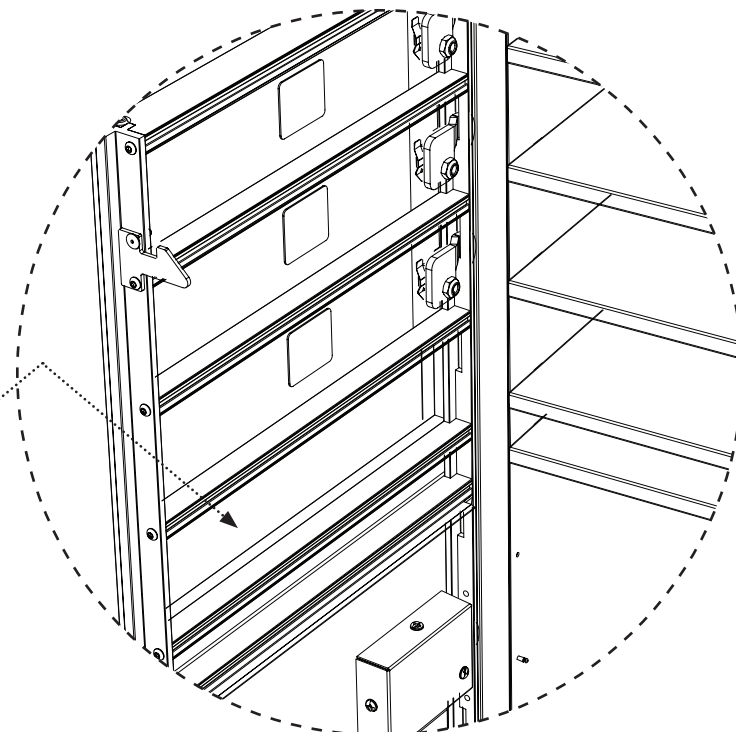
CONTINUED



2/4



3



1. COMPLETELY OPEN LEFT SIDE MASTER DOOR SO THAT THE HINGE ROD IS VISIBLE.
2. REMOVE HINGE ROD (SEE INSTRUCTIONS PAGE 10).
3. REPLACE PARCEL DOOR 1055287 FOR TYPE I AND III, OR 1055286 FOR TYPE IV.
4. REINSTALL HINGE ROD (SEE INSTRUCTIONS PAGE 10).
5. REPLACE PARCEL DOOR SPRING (SEE INSTRUCTIONS PAGE 30).
6. INSTALL LOCK MECHANISM (SEE INSTRUCTIONS PAGE 28).

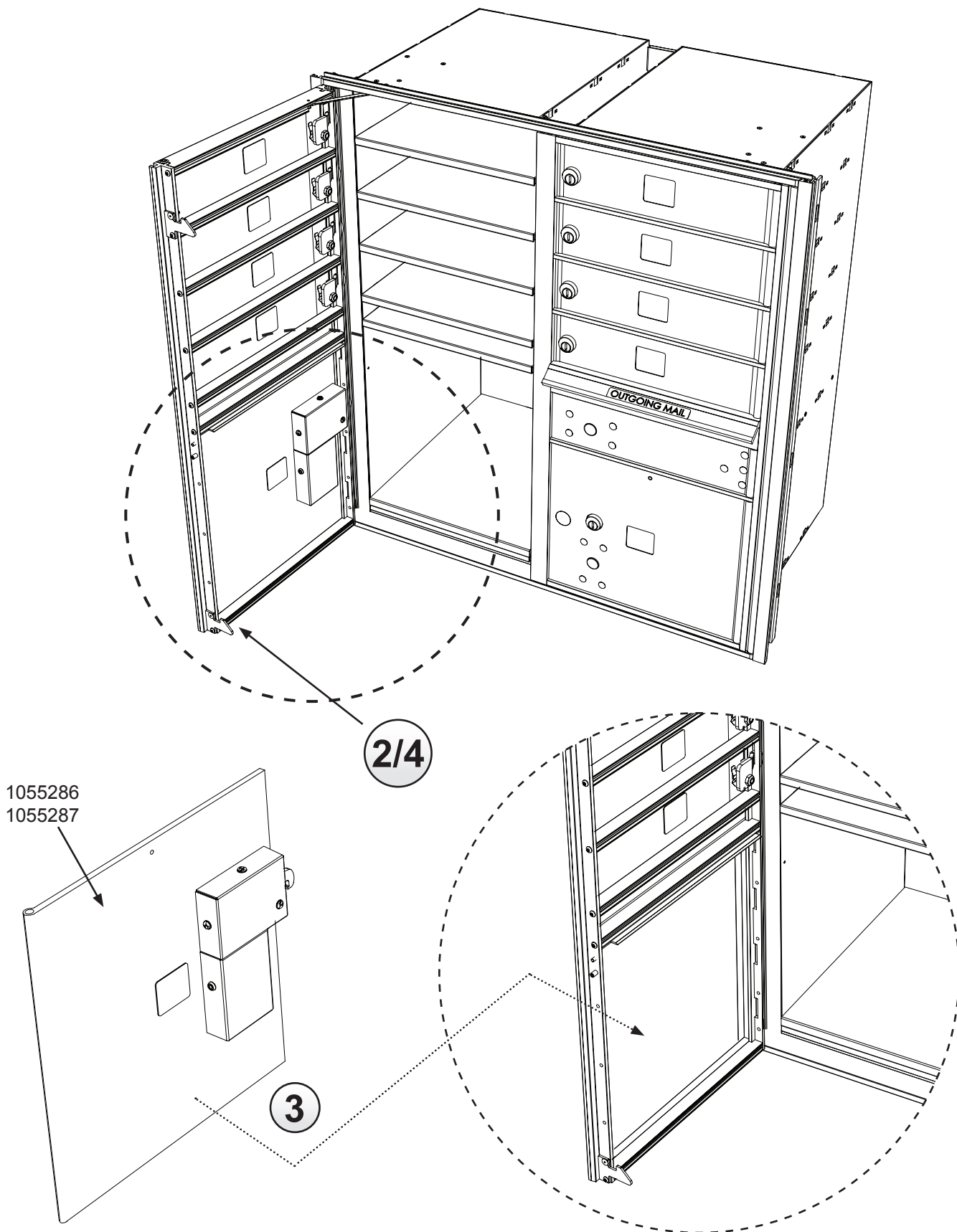


REQUIRED TOOLS
1/8" ROD
PORTABLE DRILL
HAMMER
PLIERS

PART #	DESCRIPTION
1055329	HINGE ROD (TYPE III AND IV)
1055287	PARCEL DOOR ASSEMBLY (FULL SIZE) TYPE I & III
1055912	HINGE ROD (TYPE I AND II)
1055286	PARCEL DOOR ASSEM. (3/4 SIZE) TYPE IV

REPLACEMENT OF LEFT SIDE PARCEL DOOR

CONTINUED



REPLACEMENT OF 910A PATRON LOCK

TYPES I, II, III & IV

1. OPEN PATRON COMPARTMENT DOOR.
2. REMOVE 5/16-24 LOCK NUT AND CAM 1055369.
3. REMOVE CLIP WITH PLIERS (PULL DOWN) FROM BACK OF COMPARTMENT DOOR AND REMOVE PATRON LOCK 1055368.
4. INSTALL NEW PATRON LOCK 1055368 WITH CLIP.
5. INSTALL NEW CAM AND TIGHTEN 5/16-24 LOCK NUT.

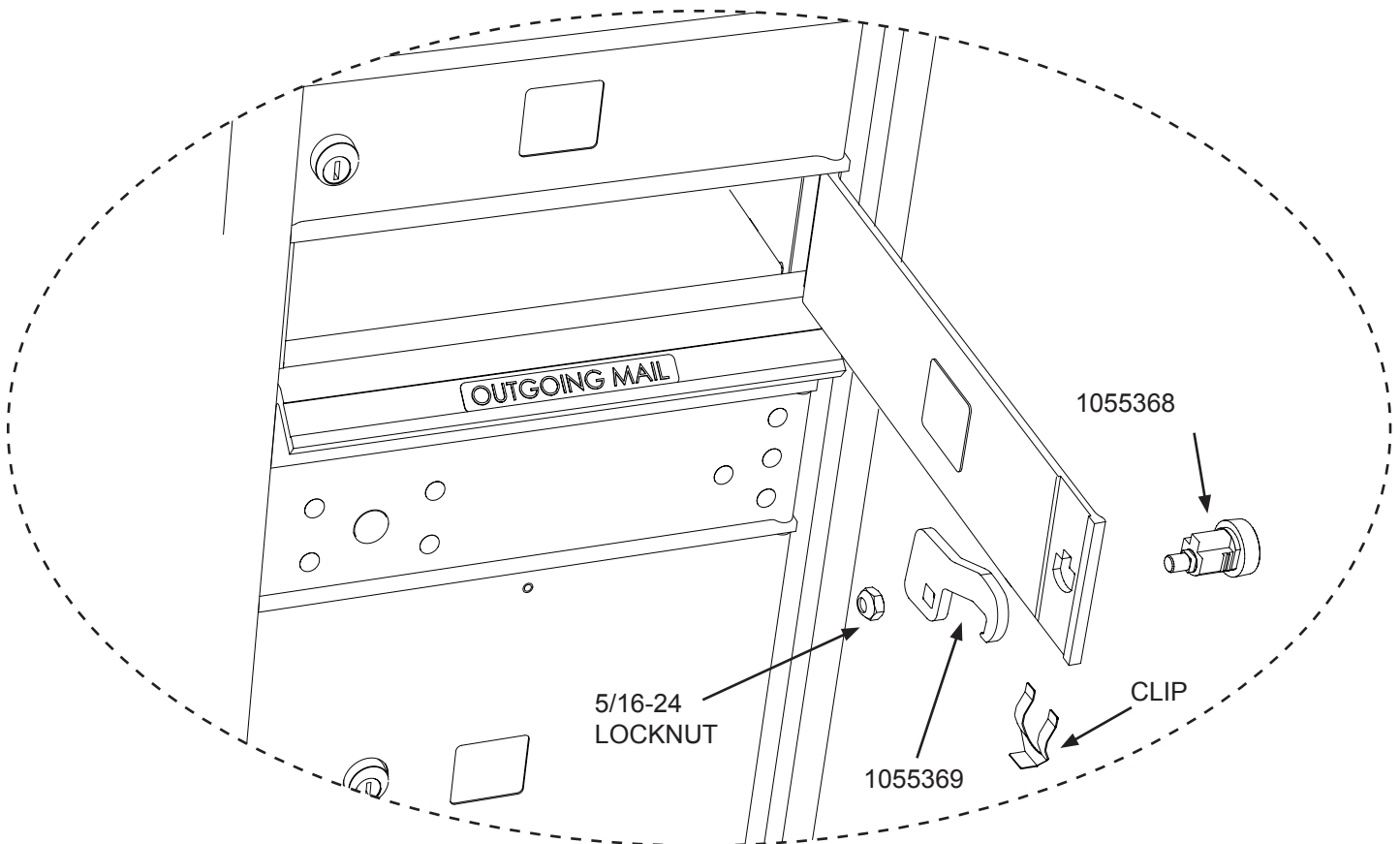
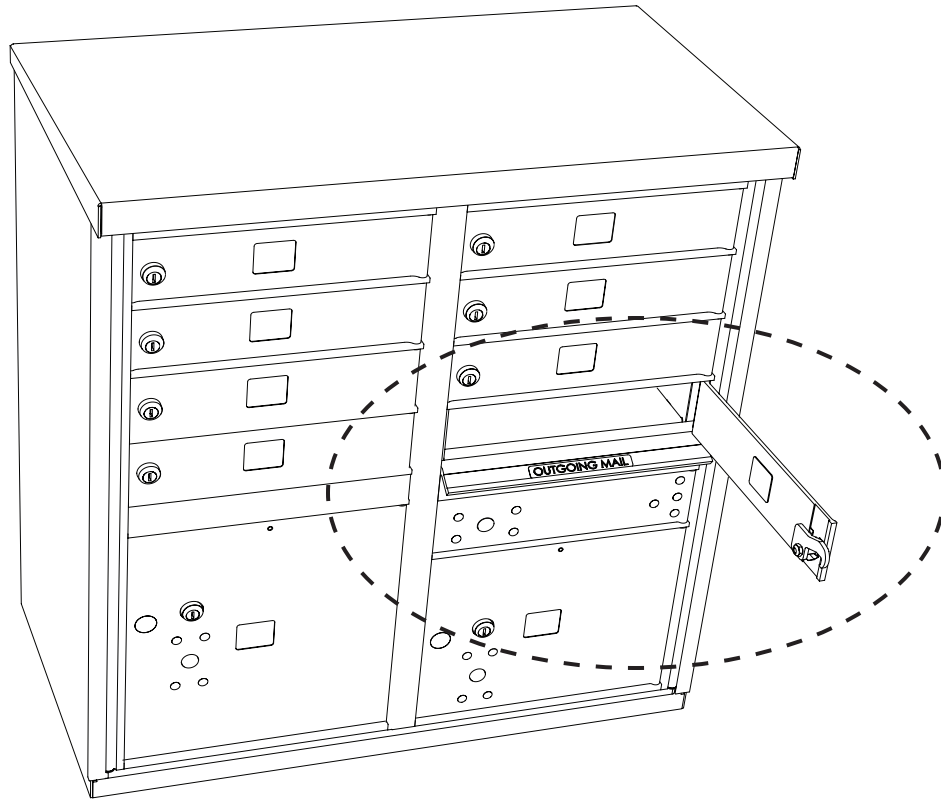


REQUIRED TOOLS
1/2" SOCKET WRENCH
PLIERS

PART #	DESCRIPTION
	CLIP (INCLUDED IN LOCK ASSEMBLY)
1055368	COMPARTMENT DOOR LOCK ASSEMBLY
1055369	LOCK CAM
	5/16-24 LOCK NUT (INCLUDED IN LOCK ASSEMBLY)

REPLACEMENT OF PATRON LOCK

CONTINUED



S1029148 - CBU100 REV 1

REPLACEMENT OF ARROW LOCK

TYPES I, II, III & IV

1. OPEN ARROW LOCK DOOR.
2. REMOVE FOUR (4) 70858 10-32 LOCK NUTS AND 1055372 PLATE - LOCK SUPPORT.
3. REPLACE ARROW LOCK INTO POSITION.
4. INSTALL 1055372 PLATE - LOCK SUPPORT AS SHOWN.
5. REPLACE FOUR (4) 70858 10-32 LOCK NUTS.

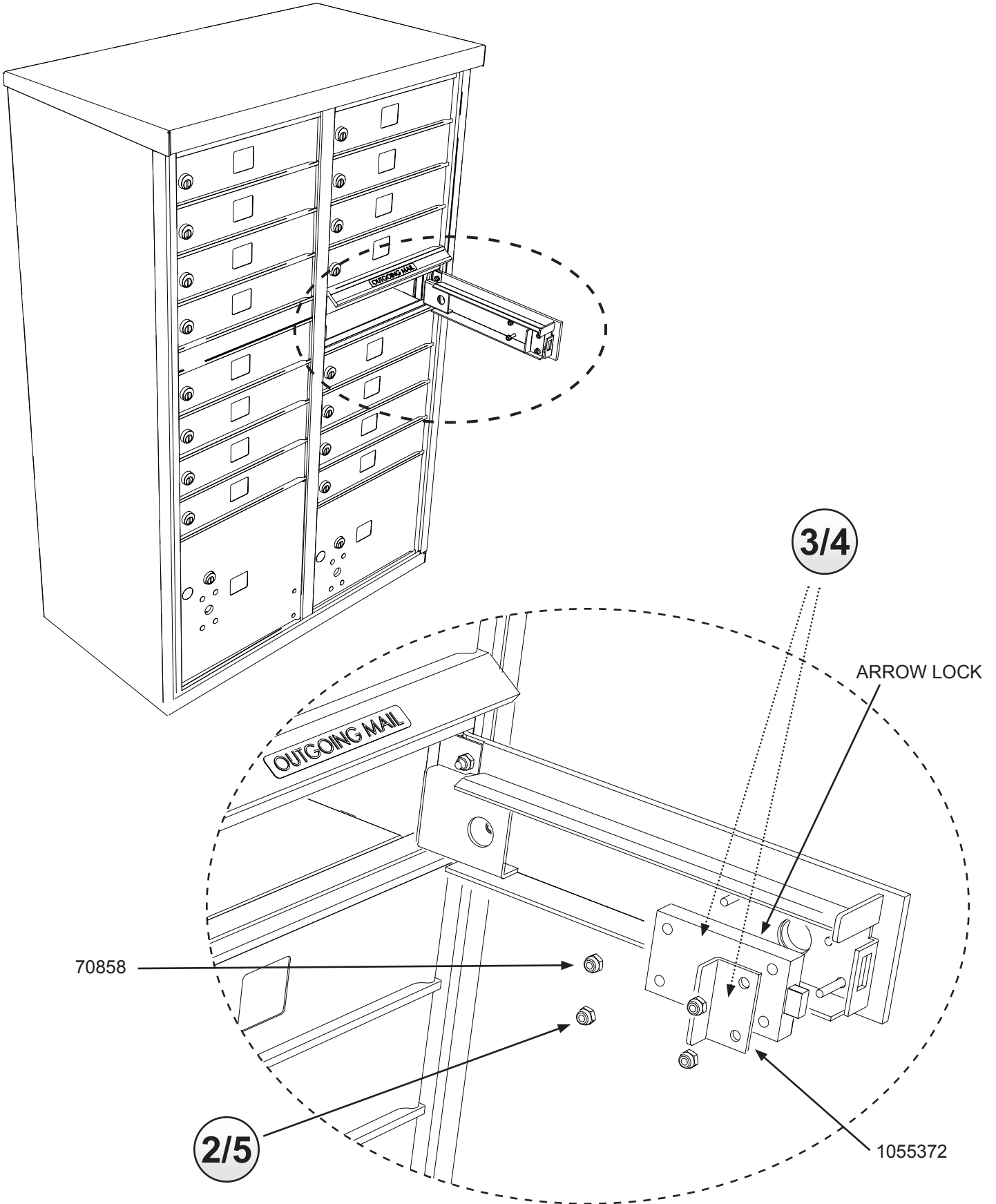


REQUIRED TOOLS
3/8" SOCKET WRENCH
PLIERS

PART #	DESCRIPTION
70858	10-32 LOCK NUT
1055372	PLATE - LOCK SUPPORT
	ARROW LOCK

REPLACEMENT OF ARROW LOCK

CONTINUED




S1029148 - CBU100 REV 1

REPLACEMENT OF ARROW LOCK LATCH/SLIDE HANDLE

TYPES I, II, III & IV

1. OPEN BOTH MASTER DOORS.
2. REPLACE HANDLE ASSEMBLY - REMOVE TWO (2) 1055944 10-32 X .625 SHC SCREWS.
3. REMOVE LATCH RELEASE BRACKET 1055314 - REPLACE WITH NEW LATCH RELEASE BRACKET.
4. REPLACE TWO (2) 1055308 SHOULDER BUSHINGS.
5. ALIGN WITH MOUNTING HOLES AND REPLACE TWO (2) 1055944 10-32 X .625 SHC SCREWS.
6. CHECK FOR FIT/FUNCTION.
7. REPLACE MLD LATCH CATCH-DRILL OUT TWO (2) SSD66SSBS POP RIVETS.
8. REMOVE/REPLACE 1055339 LOCK BRACKET - REPLACE TWO (2) SSDS66SSBS POP RIVETS.
9. CHECK FOR FIT/FUNCTION.

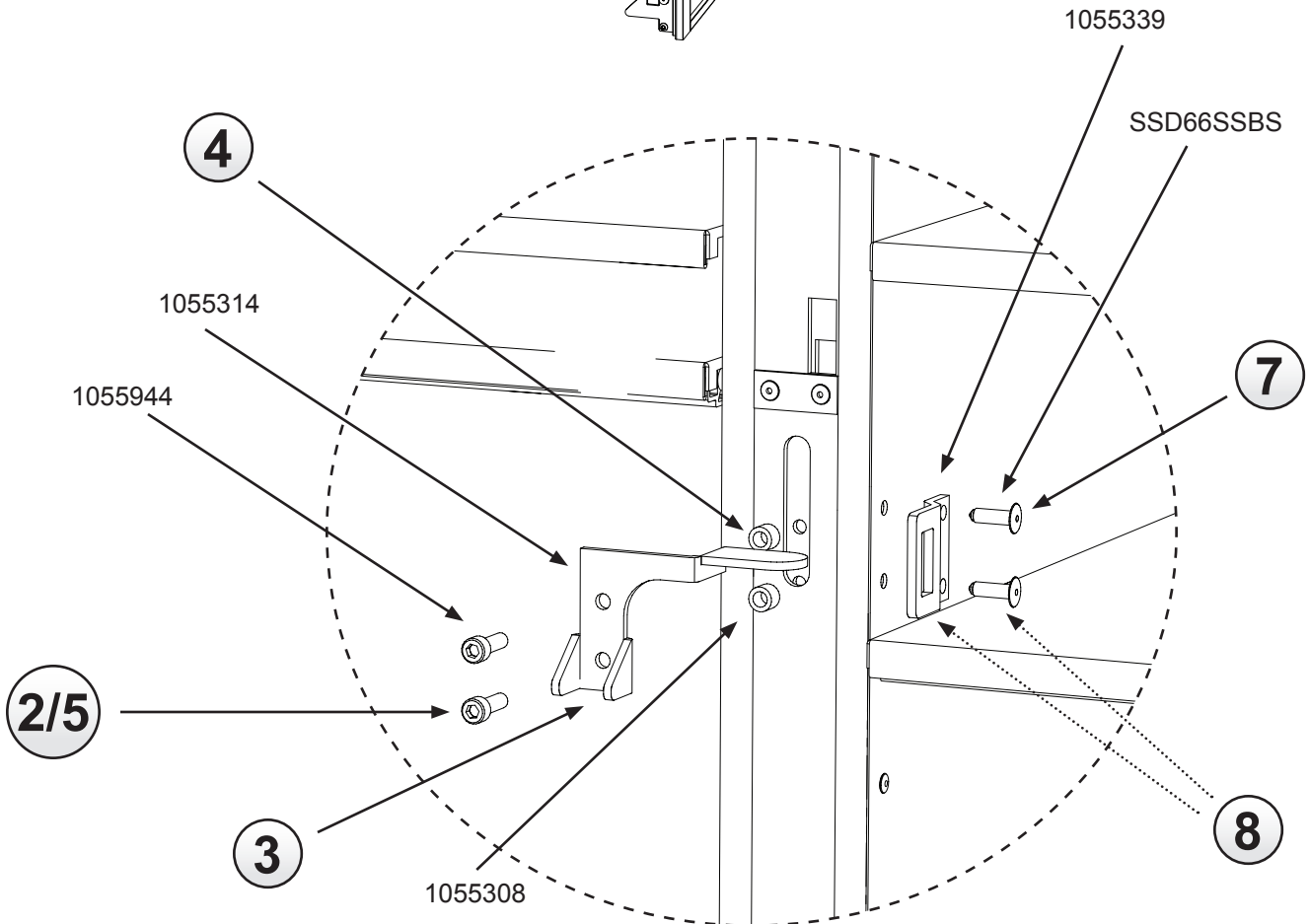
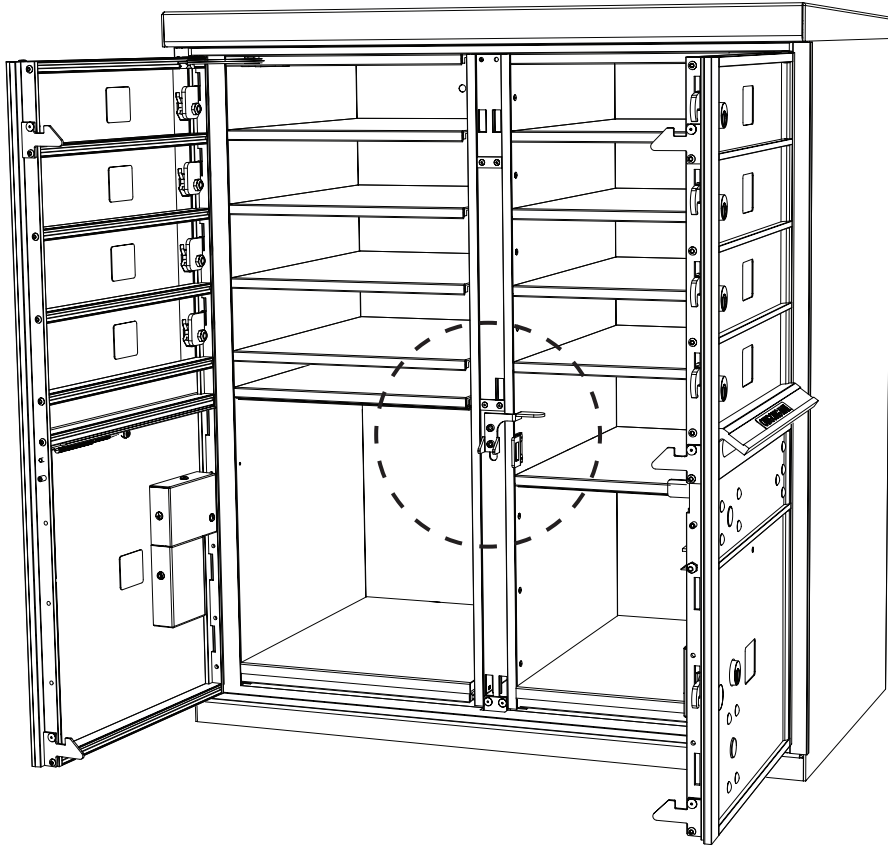


REQUIRED TOOLS
5/32" HEX BIT/ALLEN WRENCH
PORTABLE DRILL
1/8" DRILL BIT
PORTABLE POP RIVET GUN

PART #	DESCRIPTION
1055944	10-32 X .625" SHC SCREW
1055314	RELEASE BRACKET
SSD66SSBS	.1875" DIA X .5 SS POP RIVET
1055308	BUSHING
1055339	LOCK BRACKET

REPLACEMENT OF ARROW LOCK LATCH/SLIDE HANDLE

CONTINUED



S1029148 - CBU100 REV 1

REPLACEMENT OF PARCEL LOCK ASSEMBLY

TYPES I, II, III & IV

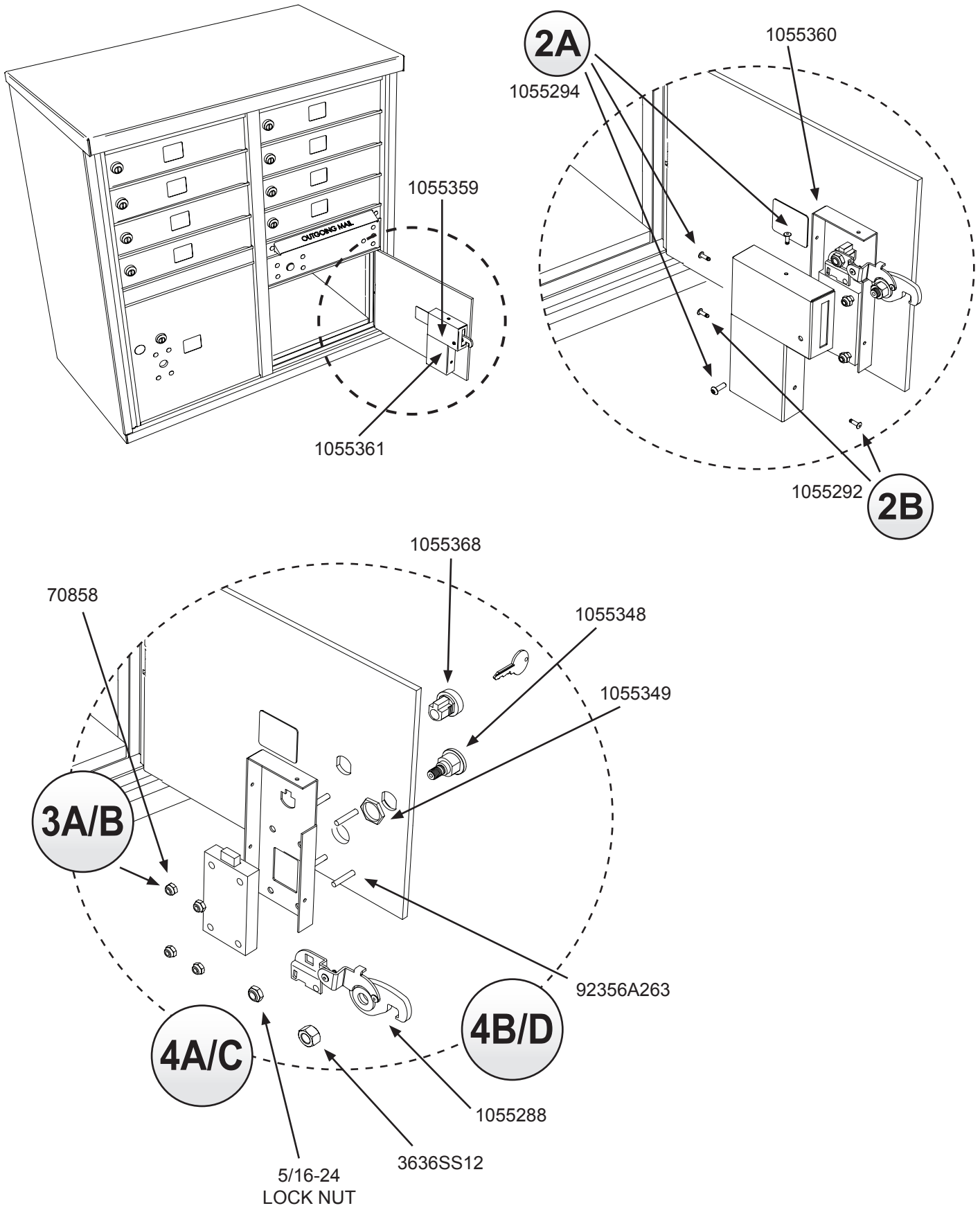
1. OPEN PARCEL DOOR, #1P ON TYPE I, TYPE II, TYPE III AND TYPE IV AND/OR #2P ON TYPE I AND TYPE III.
2. TO REMOVE/REPLACE COVERS: **A)** REMOVE OR REPLACE PARCEL LOCK COVER 1055359 USING THREE (3) 1055294 10-32 X .375 1-WAY TAMPERPROOF SCREWS. **B)** TO ACCESS ARROW LOCK, REMOVE PARCEL LOCK COVER 1055361 BY REMOVING TWO (2) 1055292 10-32 X .312" MCGARD SCREWS USING POSTAL MES NO. 110050 MCGARD SCREW DRIVER.
3. TO REMOVE/REPLACE ARROW LOCK: **A)** REMOVE FOUR (4) 70858 10-32 LOCK NUTS - REMOVE ARROW LOCK. **B)** REPLACE NEW ARROW LOCK - REPLACE FOUR (4) 70858 10-32 LOCK NUTS.
4. TO REMOVE/REPLACE PARCEL LOCK CAM ASSEMBLY: **A)** REMOVE ONE (1) 5/16-24 LOCK NUT (INCLUDED IN LOCK ASSEMBLY) **B)** REMOVE ONE (1) 3636SS12 3/8-24 HEX NUT **C)** REPLACE ONE (1) 5/16-24 LOCK NUT (INCLUDED IN LOCK ASSEMBLY) **D)** REPLACE ONE (1) 3636SS12 3/8-24 HEX NUT.
5. REMOVE/REPLACE PATRON LOCK (SEE INSTRUCTIONS PAGE 22).

REQUIRED TOOLS
9/16" SOCKET WRENCH
1/2" SOCKET WRENCH
MCGARD SCREW DRIVER (110050)
1-WAY REMOVAL SCREWDRIVER
STANDARD SCREWDRIVER

PART #	DESCRIPTION
1055292	10-32 X .312" UNF-2A 18-8 SS PASSIVATED MCGARD SCREW
1055294	10-32 x .375" UNF-2A 18-8 SS PASSIVATED 1-WAY TAMPERPROOF SCREW
92356A263	10-32 PRESS FIT CARRIAGE BOLT
70858	10-32 LOCK NUT
1055368	CUSTOMER DOOR LOCK ASSEMBLY
1055348	PARCEL DOOR BEARING
1055349	PARCEL DOOR LOCK PLUG NUT
1055359	COVER - LATCHING ASSEMBLY
1055360	PARCEL LOCK MOUNTING PLATE
1055361	COVER - ARROW LOCK
1055288	LOCK ASSEMBLY - PARCEL
	5/16-24 LOCK NUT (INCL. WITH M20658017TN90JJ)
3636SS12	3/8-24 HEX NUT

REPLACEMENT OF PARCEL LOCK ASSEMBLY

CONTINUED



S1029148 - CBU100 REV 1

REPLACEMENT OF PARCEL DOOR SPRING

TYPES I, II, III & IV

1. OPEN MASTER LOADING DOOR.
2. PLACE ONE END OF PARCEL DOOR SPRING 1055455 OVER THREADED POST ON PARCEL DOOR AND TIGHTEN ONE (1) 70856 8-32 LOCK NUT.
3. INSERT OPPOSITE END OF SPRING THROUGH ONE (1) 1055352 8-32 X 0.375 TAPTITE TORX HEAD SCREW AND TIGHTEN TO FRAME AS SHOWN.

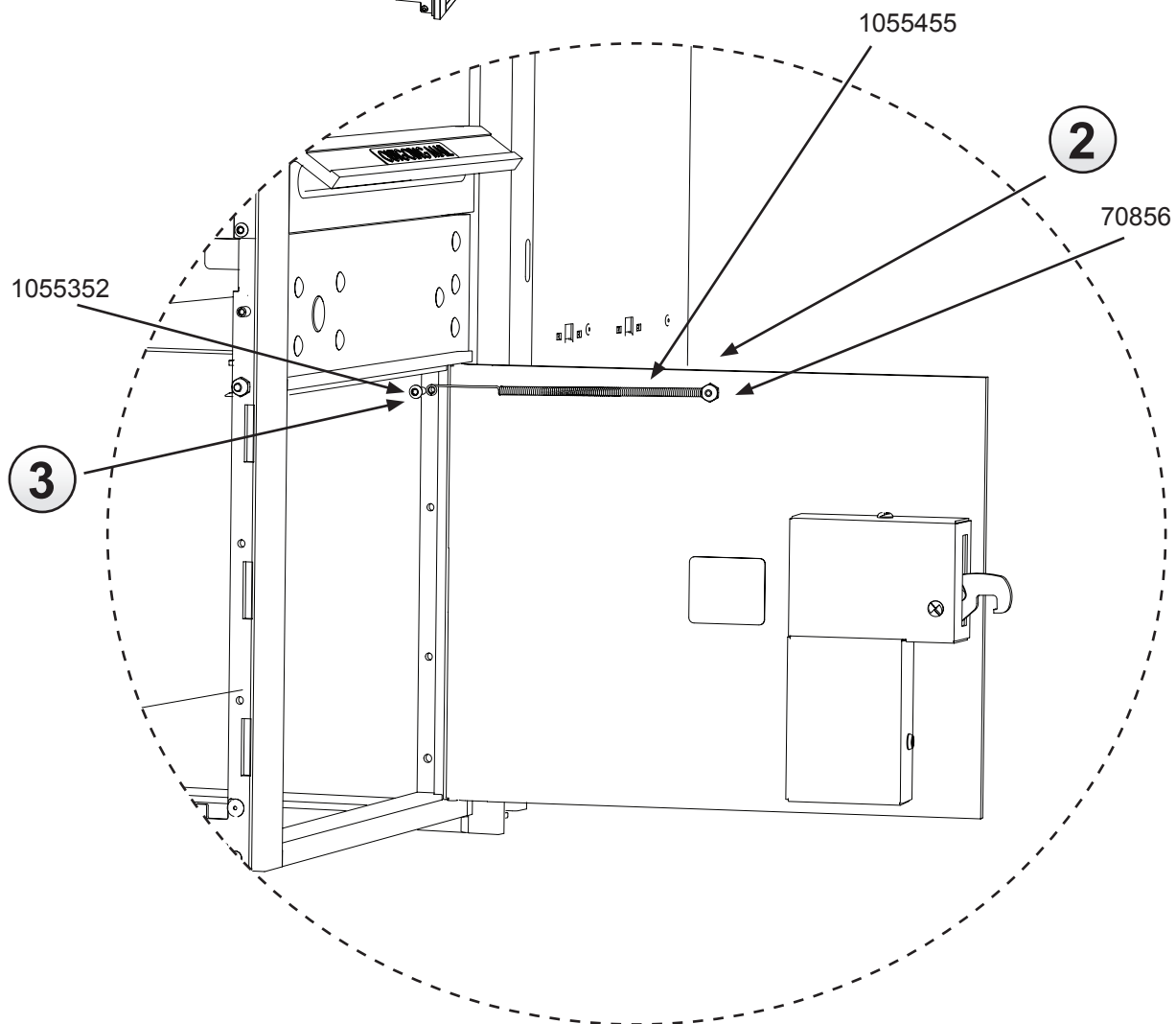


REQUIRED TOOLS
HAMMER
T-15 TORX HEAD SCREWDRIVER/BIT
PLIERS
11/32" SOCKET WRENCH

PART #	DESCRIPTION
70856	8-32 LOCK NUT
1055455	PARCEL DOOR SPRING
1055352	8-32 x 0.375 TAPTITE TORX HEAD

REPLACEMENT OF PARCEL DOOR SPRING

CONTINUED



1. OPEN MASTER LOADING DOORS.
2. WITH A HAMMER, APPLY FORCE UNDERNEATH SHELF TO BE REMOVED, DISLODGING IT FROM THE METAL SNAPS THAT HOLD IT TO THE INSERT PANEL. LIFT AND PULL TOWARD FRONT OF CBU.
3. TO REPLACE THE SHELF, PLACE IT ABOVE THE METAL SNAPS, ALIGN IT FRONT TO BACK, AND APPLY FORCE WITH A HAMMER TO SNAP THE SHELF BACK INTO PLACE.

THIS PROCEDURE WILL NOT WORK FOR THE

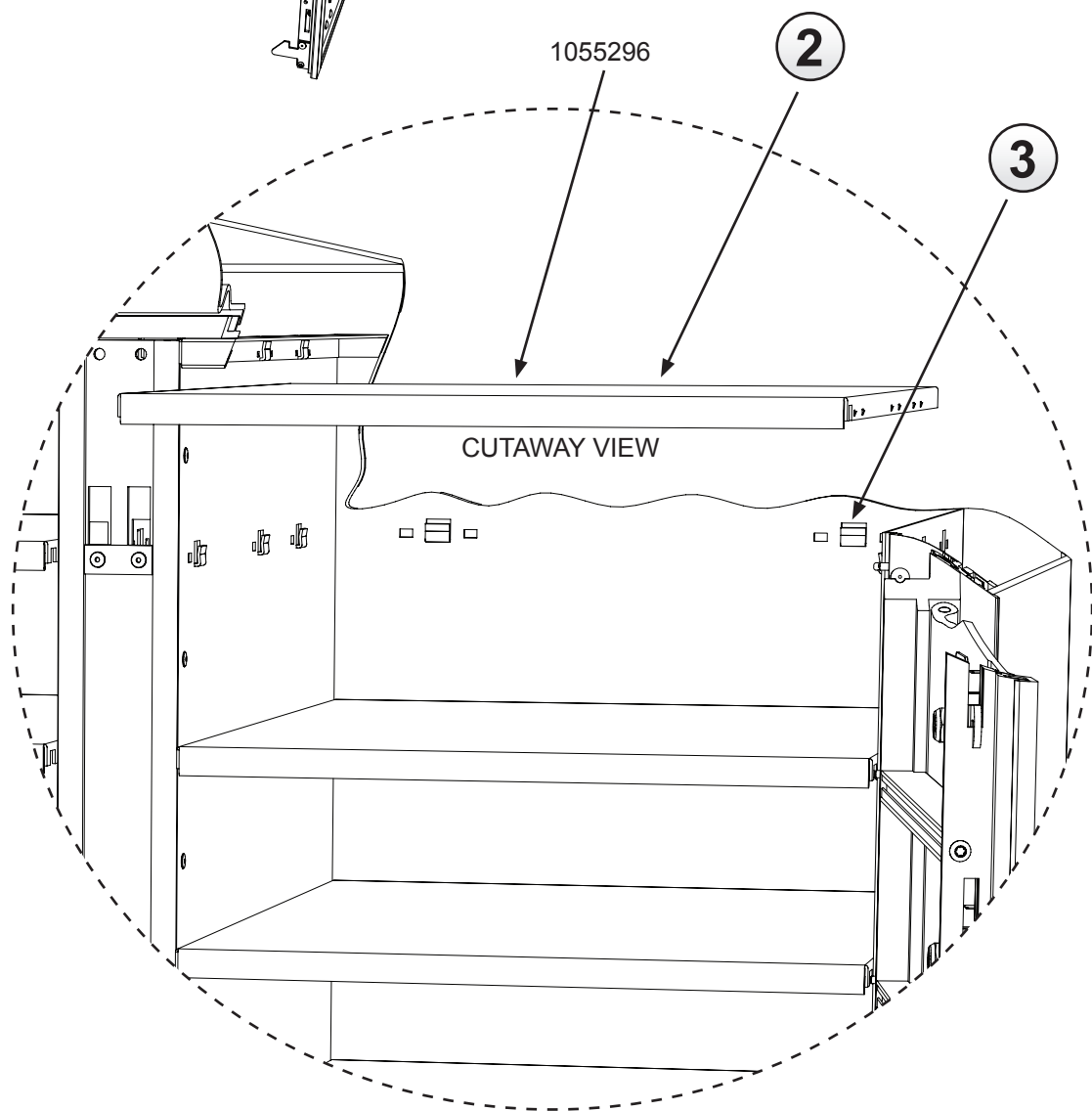
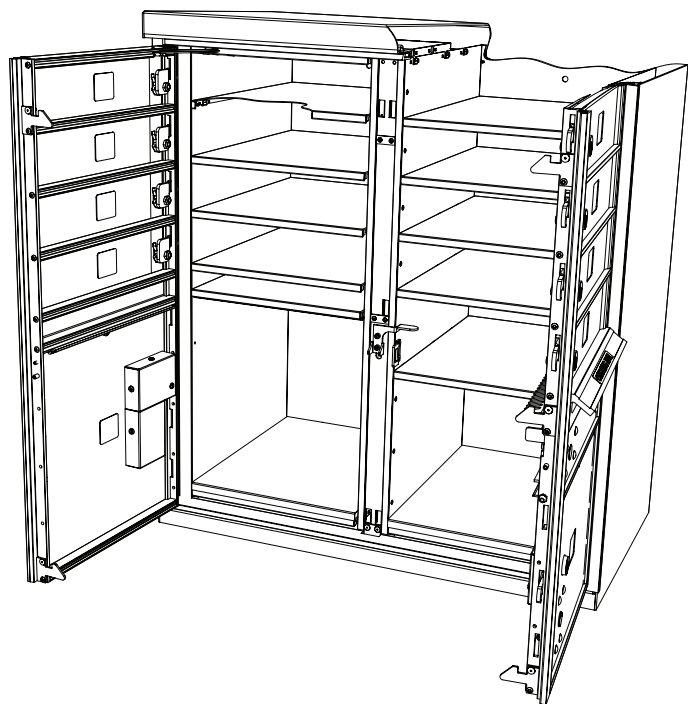


REQUIRED TOOLS
HAMMER

PART #	DESCRIPTION
1055296	SHELF

REPLACEMENT OF SHELF

CONTINUED



REPLACEMENT OF MASTER LOADING DOOR SLIDE MECHANISM

TYPES I, II, III & IV

1. OPEN MASTER LOADING DOORS.
2. COMPLETELY REMOVE INSERT ASSEMBLY (SEE INSTRUCTIONS PAGE 6).
3. DRILL OUT TWO (2) SSD43SSBS 1/8" POP RIVETS AT TOP OF SLIDE MECHANISM AND REMOVE WEAR PLATE.
4. DRILL OUT TWO (2) SSD43SSBS 1/8" POP RIVETS NEAR ARROW LATCH AND REMOVE WEAR PLATE.
5. REMOVE ARROW LATCH HANDLE (SEE INSTRUCTIONS PAGE 26).
6. REMOVE THE OLD SLIDE FROM THE TOP OF THE INSERT ASSEMBLY.
7. REPLACE SLIDE MECHANISM AND REVERSE STEPS 1-6.

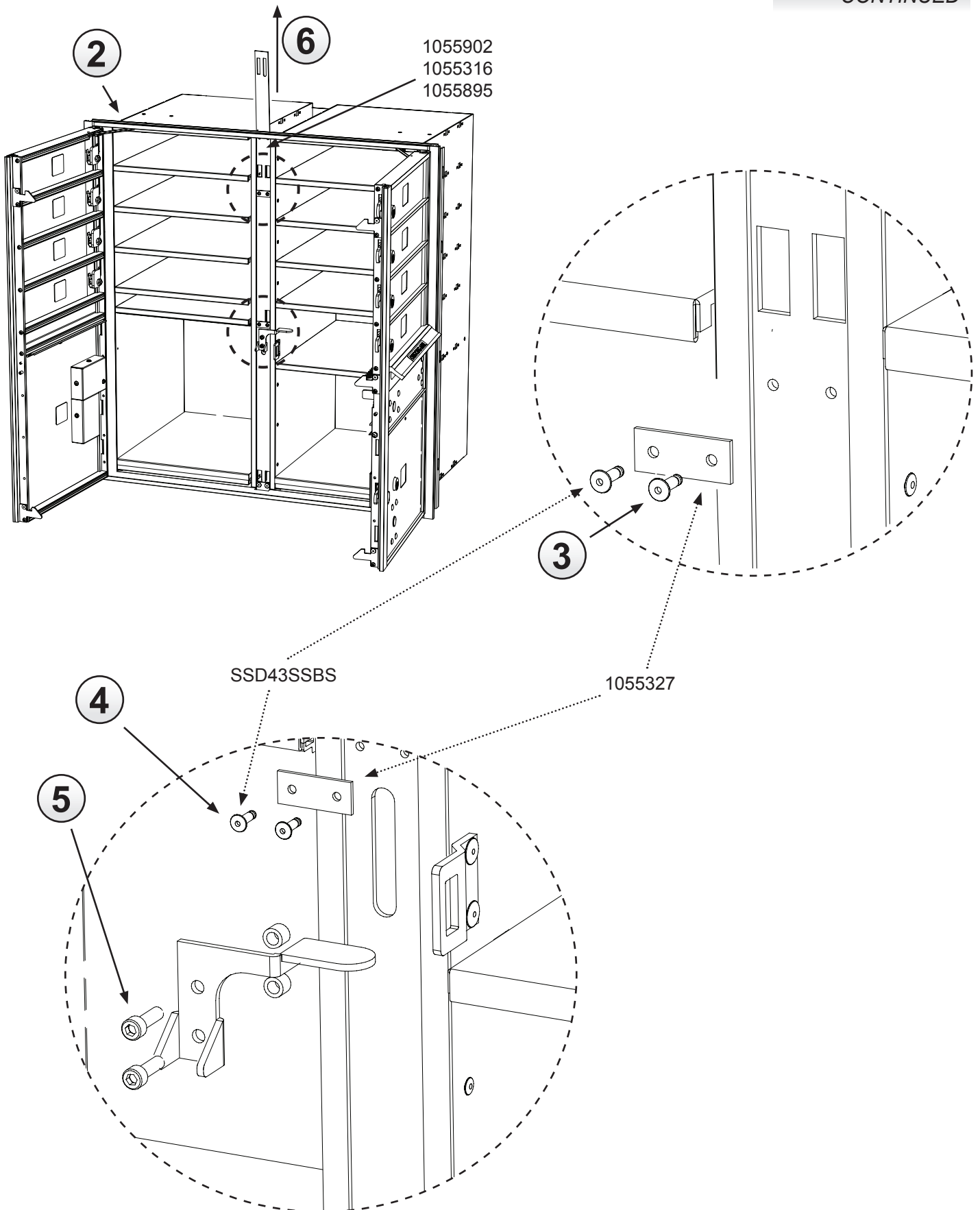


REQUIRED TOOLS
CORDLESS DRILL
PORTABLE POP RIVET GUN
1/8" DRILL BIT
3/16" DRILL BIT
5/32" HEX BIT/ALLEN WRENCH

PART #	DESCRIPTION
SSD43SSBS	1/8" DIA X .328" L POP RIVET SS
1055316	SLIDE MECH. FOR TYPE III
1055327	WEAR PLATE
1055895	SLIDE MECH FOR TYPE I, II
1055902	SLIDE MECH. FOR TYPE IV

REPLACEMENT OF MASTER LOADING DOOR SLIDE MECHANISM

CONTINUED



1. OPEN MASTER LOADING DOORS.
2. REMOVE LEFT AND RIGHT SIDE 1055344 FLOATING SHELVES, EXPOSING MOUNTING HOLES.

WARNING: 2 PEOPLE REQUIRED TO REMOVE CABINET FROM PEDESTAL, UNIT IS FRONT HEAVY.
3. WHILE ONE PERSON STEADIES CABINET, THE OTHER WILL REMOVE FOUR (4) 3632SS12 3/8-16 HEX NUTS AND FOUR (4) 903168SS12 3/8" X .688 OD LOCK WASHERS.
4. FROM UNDERNEATH UNIT, REMOVE FOUR (4) 74437 3/8-16 X 1.25 CARRIAGE BOLTS. REMOVE CABINET FROM PEDESTAL.
5. UNBOLT PEDESTAL FROM GROUND. REPLACE PEDESTAL AND GASKET (IF NECESSARY) AND RE-MOUNT TO GROUND.
6. TO REPLACE CBU CABINET, REVERSE STEPS 1-4.

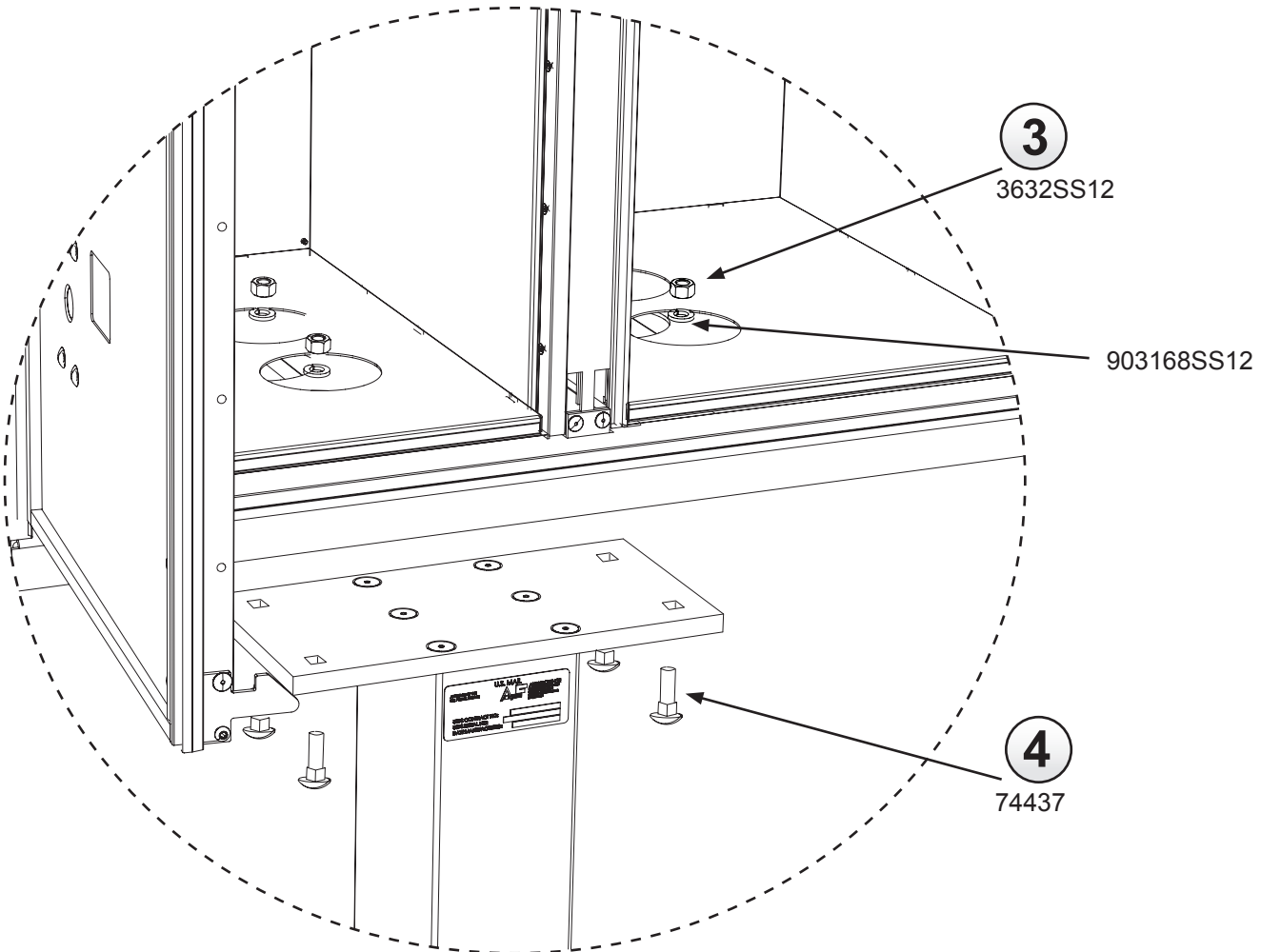
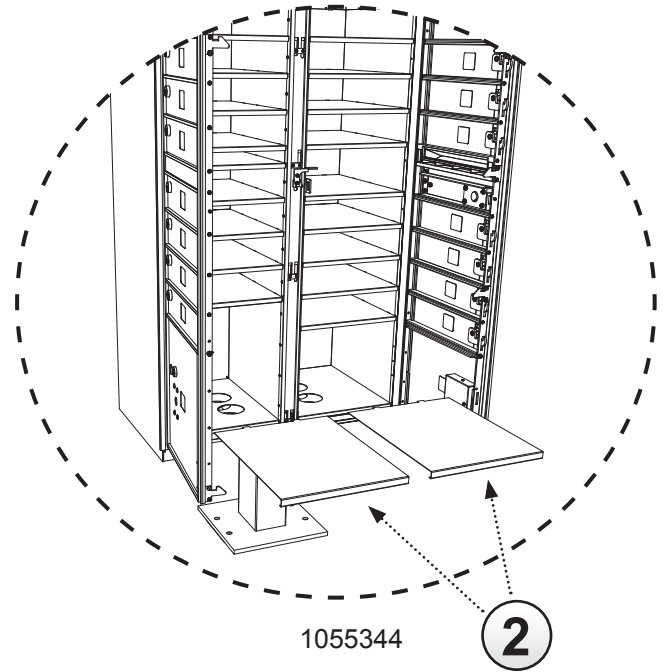
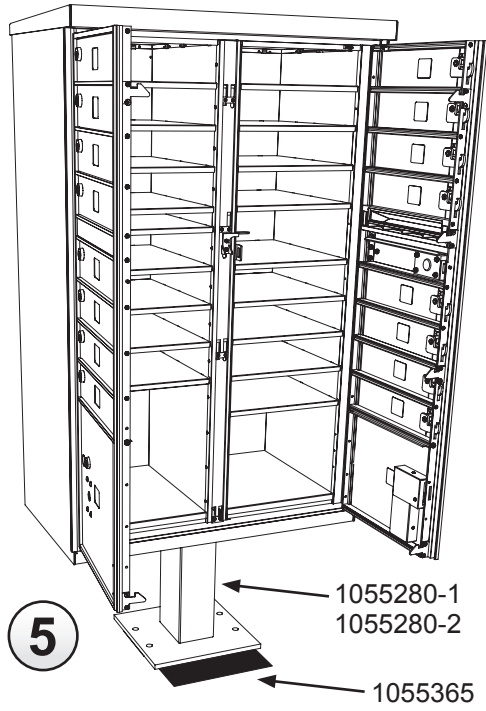


REQUIRED TOOLS
9/16" SOCKET WRENCH

PART #	DESCRIPTION
3632SS12	3/8-16 HEX NUT
74437	3/8-16 X 1.25 CARRIAGE BOLT
1055344	FLOATING SHELF
1055280-2	PEDESTAL, TYPE I, II
1055280-1	PEDESTAL, TYPE III, IV
903168SS12	3/8" X .688 OD LOCK WASHER
1055365	PEDESTAL GASKET

REPLACEMENT OF PEDESTAL

CONTINUED



Part#	Description	QTY Type 1	QTY Type 2	QTY Type 3	QTY Type 4
1055271	SHELF ASSEM.-TOP RT	1	1	1	1
1055272	SHELF ASSEM.-TOP LT	1	1	1	1
1055273	INSERT PANEL ASSEM.-LT T3			1	
1055274	INSERT PANEL ASSEM.-RT T3			1	
1055275	CABINET ASSEM.-T3 & T4			1	1
1055276	SHELF ASSEM.-BTM	1	1	1	1
1055277	MLD ASSEM.-LT T3			1	
1055278	MLD ASSEM.-RT.T3			1	
1055279	DOOR ASSEM.-COLLECTION	1	1	1	
1055280-1	PEDESTAL, TYPE III, IV			1	1
1055280-2	PEDESTAL, TYPE I, II	1	1		
1055282	INSTALLATION MANUAL	1	1	1	1
1055283	HOUSING ASSEM. T3			1	
1055284	MLD ASSEM.-FINAL RT T3			1	
1055285	MLD ASSEM.-FINAL LT T3			1	
1055286	DOOR ASSEM.-PARCEL 3/4	1	1	1	1
1055287	DOOR ASSEM.-PARCEL FULL SIZE	1		1	
1055288	LOCK ASSEM.-PARCEL	2	1	2	1
1055289	DOOR/INSERT ASSEM. T3			1	
1055290	PLATE ASSEM.-HS ARROW LOCK	1	1	1	1
1055291	LABEL LOCK & KEY	1	1	1	1
1055292	SCREW- 10-32 X .312 MCGARD	4	2	4	2
1055294	SCREW- 10-32 X .375 1 WAY	6	3	6	3
1055296	SHELF-CENTER	10	13	18	14
1055297	PLATE-OUTGOING MAIL	1	1	1	1
1055298	CARD KEY TAG	6	3	6	3
1055299	KEY TAG CLEAR	6	3	6	3
1055300	SCREW 8-32 X .75	40	44	54	46
1055300	SCREW 8-32 X .75	2	2	2	2
1055301	SCREW-SHOULDER 6-32 X .187 SS	2	2	2	2
1055302	SHELF-TOP RT	1	1	1	1
1055303	LATCH-HOLD OPEN RT	1	1	1	1
1055304	SHELF-TOP LT	1	1	1	1
1055305	LATCH-HOLD OPEN LT	1	1	1	1
1055306	GUARD-HOLD OPEN	2	2	2	2
1055307	HINGE-COLLECTION DOOR 3"	1	1	1	
1055308	SPACER-SHELF	2	1	2	1
1055309-T1	NAMEPLATE KIT T1	1			
1055309-T2	NAMEPLATE KIT T2		1		
1055309-T3	NAMEPLATE KIT T3			1	
1055309-T4	NAMEPLATE KIT T4				1
1055310	PANEL-INSERT T3 LT			1	
1055311	PANEL-INSERT T3 RT			1	
1055312	SHELF SUPPORT	2	1	2	1
1055313	PLATE-JOINER	2	2	2	2
1055314	RELEASE-LATCH	1	1	1	1
1055315	HOUSING-SLIDE T3			1	
1055316	SLIDE-LATCH T3			1	
1055317	BRACKET-ARROW LOCK	1	1	1	1
1055318	DOOR-COLLECTION	1	1	1	
1055319	SHELF-BTM. LT	1	1	1	1

Part#	Description	QTY Type 1	QTY Type 2	QTY Type 3	QTY Type 4
1055320	SHELF-BTM RT	1	1	1	1
1055321	CROSSBAR-TOP RT	1	1	1	1
1055322	CROSSBAR-BTM	2	2	2	2
1055323	CROSSBAR-CTR	6	9	13	10
1055324	CROSSBAR-ANTI PRY	1	1	2	1
1055325	HOOK-LATCH	5	5	6	6
1055326	CROSSBAR-TOP LT	1	1	1	1
1055327	PLATE-WEAR	2	2	3	3
1055328	BUSHING	2	2	2	2
1055329	PIN-HINGE T3 & T4			2	2
1055330	ACTUATOR	2	1	2	1
1055331	DOOR SIDE-LT T3			1	
1055332	RT SIDE OF LT MLD T3			1	
1055332	RT SIDE OF LT MLD T4				1
1055333	HINGE-OUTER LT			1	1
1055334	HINGE-INNER LT T3			1	
1055335	HINGE-OUTER RT			1	1
1055336	HINGE-INNER RT T4				1
1055336	HINGE-INNER RT			1	
1055337	SHIM-HOOK	3	3	4	4
1055338	BRACE, TOP & BTM	2	2	2	2
1055339	LATCHING BRACKET	1	1	1	1
1055340	HOLD OPEN ARM	2	2	2	2
1055341	BRACKET-MOUNT RT T3 & T4			1	1
1055342	BRACKET-MOUNT LT T3&T4			1	1
1055343	WRAPPER-CABINET T3 & T4			1	1
1055344	SHELF-FLOATING	2	2	2	2
1055345	SHELF-BTM	1	1	1	1
1055346	CHANNEL- BTM CABINET	2	2	2	2
1055347	HOOK-CAM	2	1	2	1
1055348	BEARING-HOOK CAM	2	1	2	1
1055349	NUT-HEX THIN 3/4-27	2	1	2	1
1055350	DOOR-COMPARTMENT	8	12	16	
1055352	SCREW-TORX 8-32 X .375	2	1	2	1
1055356	BLANK-DOOR		1	1	1
1055357	SPRING-PARCEL LOCK	2	1	2	1
1055358	CAM- 910A PARCEL LOCK	2	1	2	1
1055359	COVER-LATCHING ASSEM.	2	1	2	1
1055360	PLATE-COVER	2	1	2	1
1055361	COVER-ARROW LOCK	2	1	2	1
1055362	INSERT-THREADED	2	2	2	2
1055363	BRACKET-STFNR TP & BTM.	1	1	1	1
1055364	ROD-THREADED	1	1	2	1
1055365	PEDESTAL GASKET	1	1	1	1
1055366	PLATE-ID CABINET	1	1	1	1
1055367	MAIL SLOT CROSSBAR	1	1	1	1
1055368	LOCK ASSEM.-910A	10	13	18	14
1055369	CAM-LOCK HS	8	12	16	13
1055370	TOP-CABINET	1	1	1	1
1055371	PLATE-WELD	1	1	1	1
1055372	PLATE-LOCK SUPPORT	1	1	1	1

Part#	Description	QTY Type 1	QTY Type 2	QTY Type 3	QTY Type 4
1055373	PLATE-ANTI FISH	1	1	1	1
1055374	SPRING-PARCEL CAM	2	1	2	1
1055395	DOOR-PARCEL 3/4 SIZE	1	1	1	1
1055396	DOOR-PARCEL FULL	1		1	
1055455	SPRING-PARCEL RETURN	2	1	2	1
1055457	BUMPER-SELF ADHESIVE	4	2	4	2
1055458	SCREW-TORX 8-32 X .50	11	11	15	15
1055881	PANEL-INSERT LT T1	1			
1055882	PANEL-INSERT RT T1 & T2	1	1		
1055883	MLD ASSEM.-RT	1	1		
1055884	HOUSING-SLIDE T4				1
1055885	MLD ASSEM.-LT T1	1			
1055885	DOOR ASSEM.-MLD FINAL LT T1	1			
1055887	HINGE-INNER LT T4				1
1055888	LT SIDE OF RT MLD T4				1
1055889	CABINET ASSEM.-T1 & T2	1	1		
1055890	WRAPPER-CABINET T1 & T2	1	1		
1055891	BRACKET-MOUNTING LT T1 & T2	1	1		
1055895	SLIDE T1 & T2	1	1		
1055896	HOUSING -SLIDE T1 & T2	1	1		
1055897	HINGE-INNER LT T1 & T2	1	1		
1055898	HINGE-INNER RT T1 & T2	1	1		
1055899	LT SIDE OF RT MLD T1 & T2	1	1		
1055900	RT SIDE OF LT MLD T1 & T2	1	1		
1055902	SLIDE T4				1
1055903	DOOR-COLLECTION T4				1
1055904	DOOR-COMPARTMENT T4				13
1055906	PANEL-INSERT T2		1		
1055907	PANEL INSERT LT T4				1
1055908	INSERT PANEL RT T4				1
1055909	DOOR ASSEM.-COLLECTION T4				1
1055910	HOUSING ASSEM.-SLIDE T1 & T2	1	1		
1055912	PIN-HINGE T1 & T2	2	2		
1055915	CLIP-LOCK	10	13	18	14
1055917	DOOR ASSEM.-MLD FINAL RT T1 & T2	1	1		
1055918	INSERT PANEL ASSEM. T1	1			
1055919	PANEL ASSEM.-INSERT LT T1	1			
1055920	PANEL ASSEM.-INSERT RT T1 & T2	1	1		
1055921	PANEL ASSEM.-INSERT LT T2		1		
1055922	MLD ASSEM.-LT T2		1		
1055922	MLD ASSEM.- FINAL LT T2		1		
1055923	INSERT PANEL ASSEM.-T2		1		
1055924	HINGE-COLLECTION DOOR 5"				1
1055926	MLD ASSEM.-LT T4				1
1055927	MLD ASSEM.-FINAL LT T4				1
1055928	BLANK- DOOR T1	1			
1055929	MLD ASSEM.-RT T4				1
1055930	MLD ASSEM.-FINAL RT T4				1
1055931	INSERT & SHELF ASSEM.-RT T4				1
1055932	INSERT & SHELF ASSEM.-LT T4				1
1055933	HOUSING ASSEM.-SLIDE T4				1

Part#	Description	QTY Type 1	QTY Type 2	QTY Type 3	QTY Type 4
1055934	INSERT PANEL ASSEM. T4				1
1055935	MLD/INSERT ASSEM.-FINAL T4				1
1055936	DOOR/INSERT ASSEM. T1	1			
1055937	DOOR/INSERT ASSEM. T2		1		
1055944	SCREW 10-32 X .62	2	2	2	2
1055945	PLATE-LATCH LOCK	1	1	1	1
1055950	BRACKET-MOUNTING RT T1 & T2	1	1		
1055952	HINGE-OUTER RT T1 & T2	1	1		
1055953	HINGE-OUTER T1 & T2	1	1		
12955	NUT-LOCK 10-32 SS	2	2	2	2
356080SS12	WASHER-BEARING	2	1	2	1
3632SS12	NUT-HEX 3/8-16	4	4	4	4
3636SS12	NUT-HEX .375-24 SS	2	1	2	1
66572SS20-12	SCREW- 8-32 X .625 PRESS FIT	2	1	2	1
70856	NUT-LOCK 8-32 W/NYLON SS	2	1	2	1
70858	NUT-LOCK 10-32 W/NYLON SS	18	14	20	14
74437	BOLT-CARRIAGE 3/8-16 X 1.25	4	4	4	4
903168SS12	WASHER-LOCK	4	4	4	4
92356A257	BOLT-CARRIAGE 10-32 X .625 SS	4	4	4	4
92356A263	BOLT-CARRIAGE 10-32 X 1.25	10	6	10	6
92356A265	BOLT-CARRIAGE 10-32 X 1.5	2	2	2	2
R03820-.250	RIVET TUBULAR .125 X .250 SS	2	1	2	1
R03820-.312	RIVET TUBULAR .125 X .312 SS	2	1	2	1
SSD43SSBS	RIVET-POP .125 X .328	75	65	92	67
SSD66SSBS	RIVET-POP 3/16 X 0.55 SS	11	11	12	12