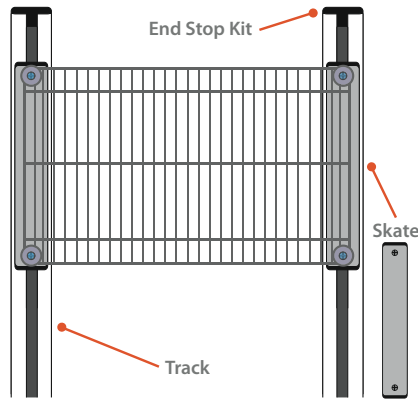
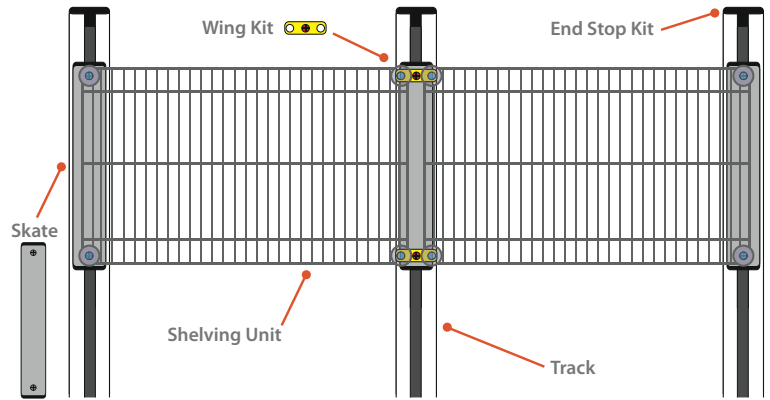




SINGLE UNIT TRACK SYSTEM (Top View)



DOUBLE UNIT TRACK SYSTEM (Top View)



Single Unit Floor Track Assemblies



Assembly kit consists of a pair of aluminum tracks with end stop kits. Hardware and assembly instructions included. (Note: custom lengths may be purchased, see pg. 146)

Table with 4 columns: MODEL NO., TRACK L' (FT), TRACK L" (IN), SHIP WGT. Lists various single unit floor track assembly kits with their specifications.

Double Unit Floor Track Assemblies



Each assembly kit consists of three aluminum tracks with end stop kits. Hardware and assembly instructions included. (Note: custom lengths may be purchased, see pg. 146)

Table with 4 columns: MODEL NO., TRACK L' (FT), TRACK L" (IN), SHIP WGT. Lists various double unit floor track assembly kits with their specifications.

STEP BY STEP ORDERING INSTRUCTIONS:

- 1 - Select desired length of track and if you require: Single Unit track (use charts on left), Double Unit track (use charts on right)
2 - Select corresponding skate size from single or double unit charts below. Skate size should match the depth of shelving unit being utilized.
3 - Using the chart on the bottom of this page, determine how many shelving units will fit on your track.
4 - Pre-configured 4 and 5 shelf wire units are available on pgs. 106-109. Additional intermediate shelves are available on pg. 104.

Single Unit Skate Assembly Kits



Each kit includes two skates and all appropriate hardware. One kit is required for each single mobile unit. (Shelves and posts sold separately on pgs. 104 & 105)

Table with 3 columns: MODEL NO., DESCRIPTION, SHIP WGT. Lists single unit skate assembly kits.

Double Unit Skate Assembly Kits



Each kit includes three skates and all appropriate hardware. One kit is required for each double mobile unit. (Shelves and posts sold separately on pgs. 104 & 105)

Table with 3 columns: MODEL NO., DESCRIPTION, SHIP WGT. Lists double unit skate assembly kits.

QUANTITY OF SHELVING UNITS BY WIDTH TO FIT ON LENGTH OF TRACK\*

Chart showing the quantity of shelving units that can fit on a track of a specific length (6' to 20') for different skate widths (18", 21", 24", 30", 36").

\* Using a minimum 36" aisle space. Note, post height should not exceed the skate length by a 4 to 1 ration (example 18" skate should not exceed a 74" post)