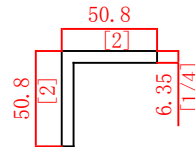
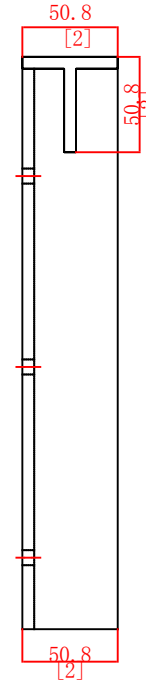
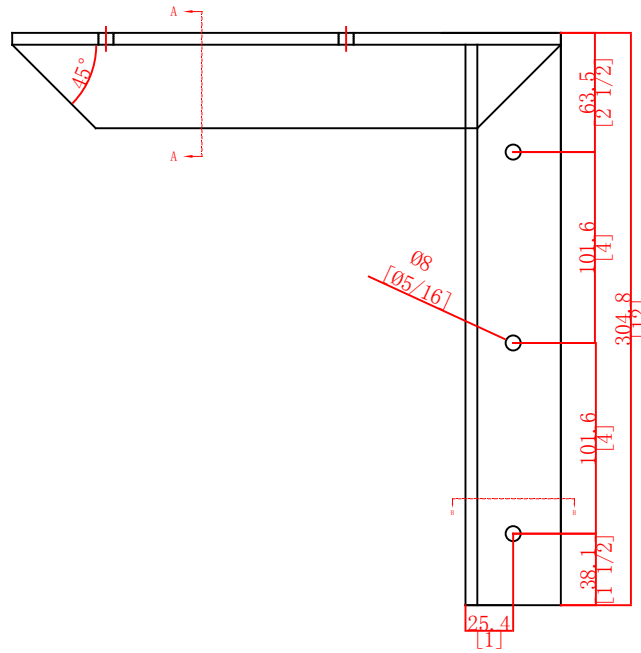


SECTION A-A



SECTION B-B

			#6241141209		Ratio	1 : 1
			Unit	mm [inch]	Date	2018-2-27
Rev. A	2019.03.19	Item #	Material	Alu 6063	Page of	
Draft	2018.04.01	Hole positions revised		T6		
Draft	2018.03.01		By	S. Liu	RICHELIEU HARDWARE	
Ver.	Date	Notes				

