

I N S T R U C T I O N S



Elongated Tall-ette® Elevated Toilet Seats With Bolt-Down Lok-In-EI® Bracket

For Catalog Numbers 72583-1002, 72583-1004 and 72583-1006

Place the Tall-ette® Elevated Toilet Seat upside down on a table or bench with its two bracket holes visible. Hold the Lok-In-EI® Bracket with the two pegs lined up with the holes on the seat. The bolt-down bracket tongue should be facing away from the seat. Press the pegs into the holes until the bracket is in place.

To Install on Toilet:

1. Loosen the nuts on the toilet seat bracket that hold the toilet seat and lid to the bowl. Be sure to loosen them enough to slide the Lok-In-EI® bracket between the seat and the bowl.
2. Lift the toilet seat to a raised position and pull up slightly - approximately 3/8".
3. Slide the Lok-In-EI® bracket tongue under the seat bracket so that the wide section fits between the toilet seat screws and the two narrow sections fit outside of the screws.
4. Tighten the nuts on the screws to secure the seat and bracket. The Tall-ette® Elevated Toilet Seat should be in contact with the china bowl with the bottom flange fitting inside the rim of the toilet bowl. Before tightening the screws, move the seat forward as much as possible to make sure the seat sits firmly in the bowl.

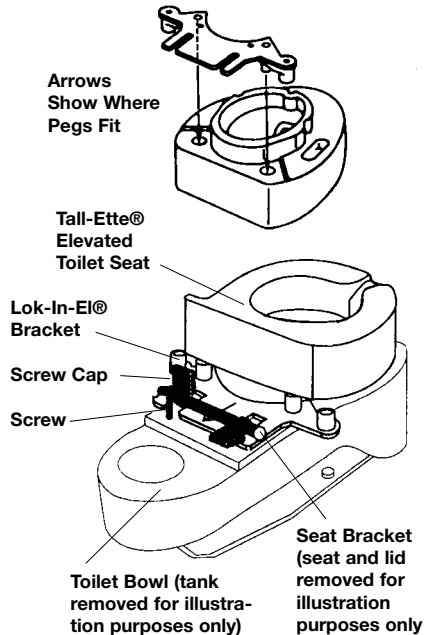
If you require further assistance in the installation, operation or use of this product please contact us.

Caution:

Do not use these models without the Lok-In-EI® Bracket.

Do not remove the Lok-In-EI® Bracket.

Do not use the Tall-Ette® Elevated Toilet Seat if it does not fit into the toilet bowl rim.



Maddak Inc.

6 INDUSTRIAL ROAD • PEQUANNOCK, NJ 07440-1993 USA

973-628-7600 • fax 973-305-0841 • email custservice@maddak.com • www.maddak.com