



**Mechanical  
Baker's Dough Scale  
Owners Manual**

8525-M292-O1 Rev A  
01/05

CARDINAL SCALE MFG. CO.  
PO BOX 151 • WEBB CITY, MO 64870  
PH (417) 673-4631 • FAX (417) 673-5001  
Web Site - <http://www.detectoscale.com>

Printed in USA



## PRODUCT SPECIFICATIONS

Model	Capacity	Scoop	Stainless Steel	Enamel	Shipping Weight
1001TB	16 lb	X		X	28 lb
1001TBKG	8 kg	X		X	28 lb
1001TBNS	16 lb			X	28 lb
1002TB	8 lb	X		X	30 lb
1002TBKG	5 kg	X		X	30 lb
1002TBNS	8 lb			X	30 lb
1051TBS	16 lb	X	X		28 lb
1052TBS	8 lb	X	X		30 lb

Cardinal Scale reserves the right to improve, enhance and modify features and specifications without prior notice.

## UNPACKING INSTRUCTIONS

1. Open carton and remove the counterweight and scoop.
2. Cut the inner packing straps and remove the upper cardboard pad.
3. Remove scale from carton. To remove scale, lift up with equal force on the weight plates.

Check for any damage incurred in shipping. If scale has been damaged, place a claim with the carrier. *It is the responsibility of the purchaser to file all claims for any damages or loss incurred during transit.* Use the original carton and shipping material to return the scale.

4. Remove the lower cardboard pad.
5. Remove weight box(es) from end(s) of main box. To remove weight box(es), pull visible edge of cardboard up. NOTE! You may need to remove staples first.

## OPERATING INSTRUCTIONS

### Adjusting The Counterweight

1. Unscrew top from counterweight.
2. Place counterweight, top and scale pan on respective sides.
3. Fill counterweight with sugar or salt until balance is achieved.
4. Secure top to counterweight.

### To Move Poise

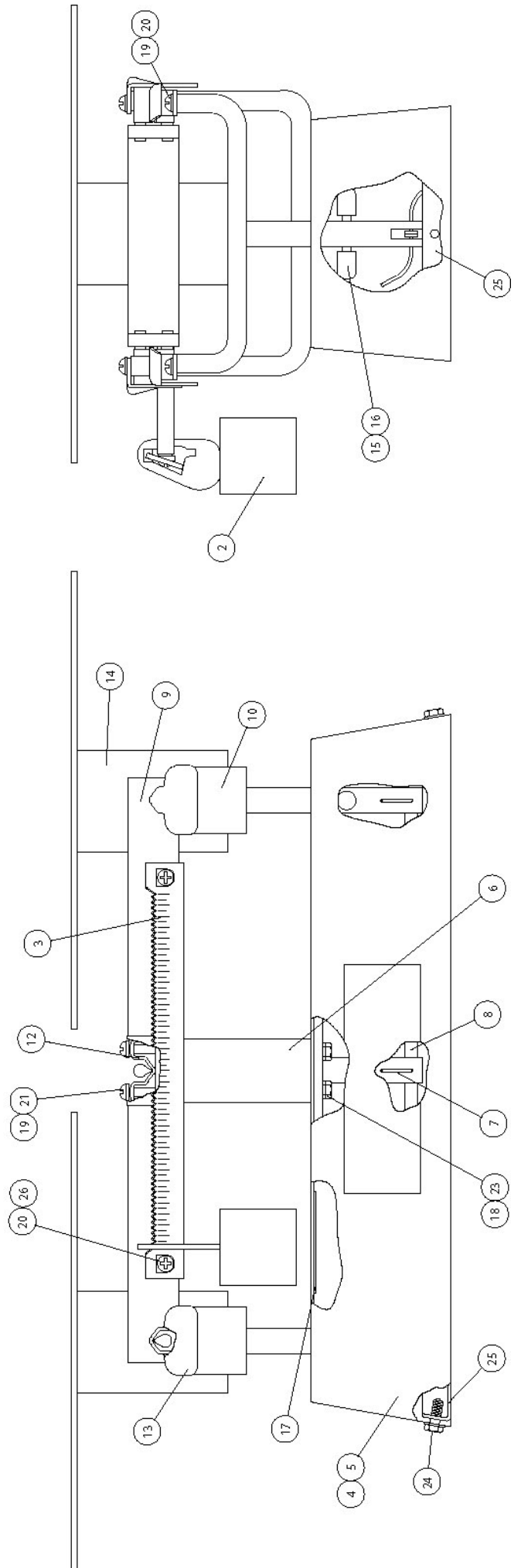
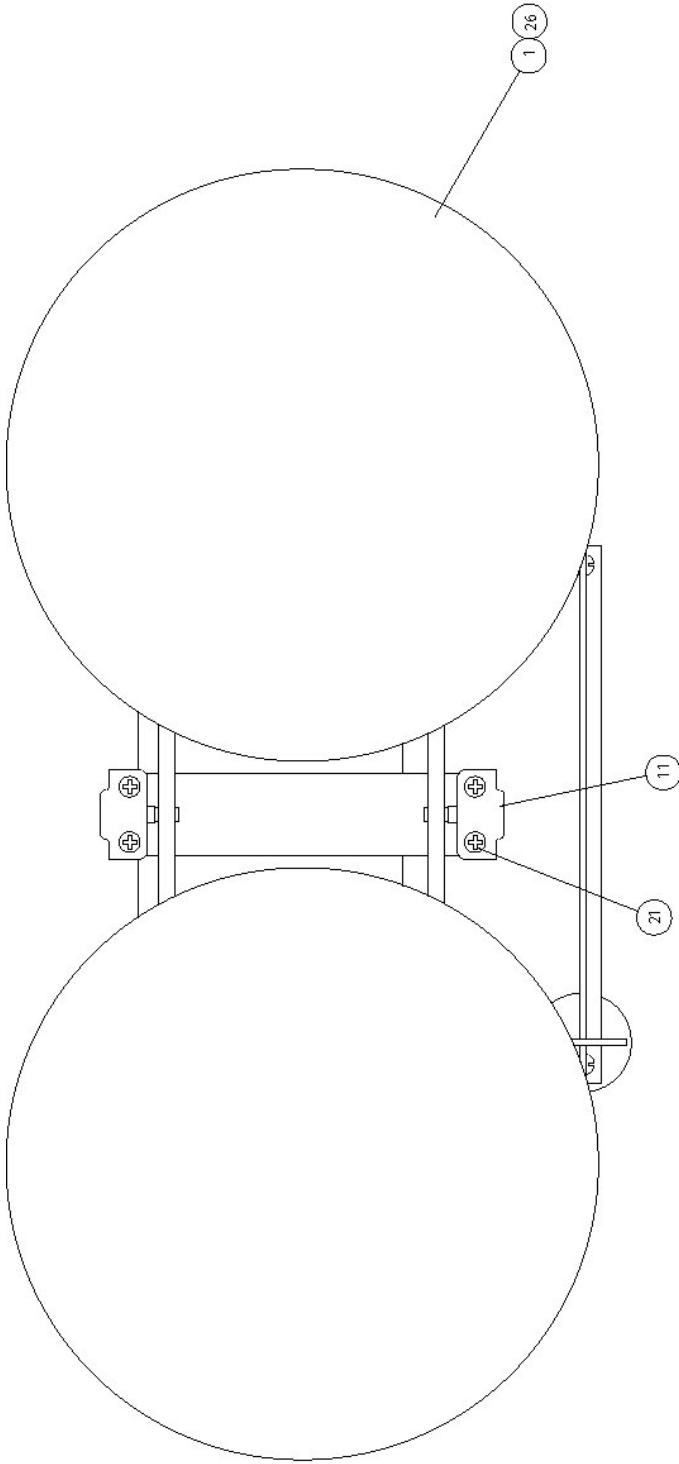
To move poise, lift up to clear notches on beam and slide to desired position and release.

## CARE AND CLEANING OF SCALE

- DO NOT subject the weight plates to sudden shocks.
- DO avoid areas where the scale might be exposed to moisture.
- DO NOT use abrasive cleaners, acetone or other volatile solvents for cleaning scale.
- DO clean the scale using a damp soft cloth and mild detergent.

# PARTS IDENTIFICATION

Models 1001TB, 1001TB-X, 1001TBNS, 1002TB and 1002TBNS



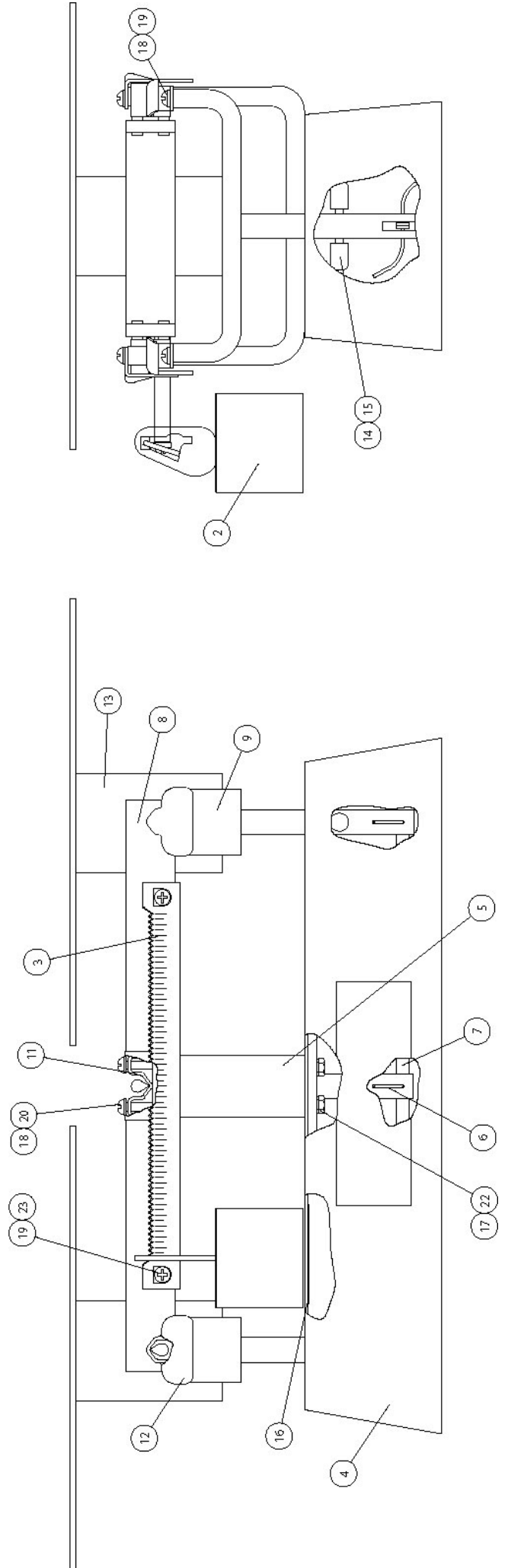
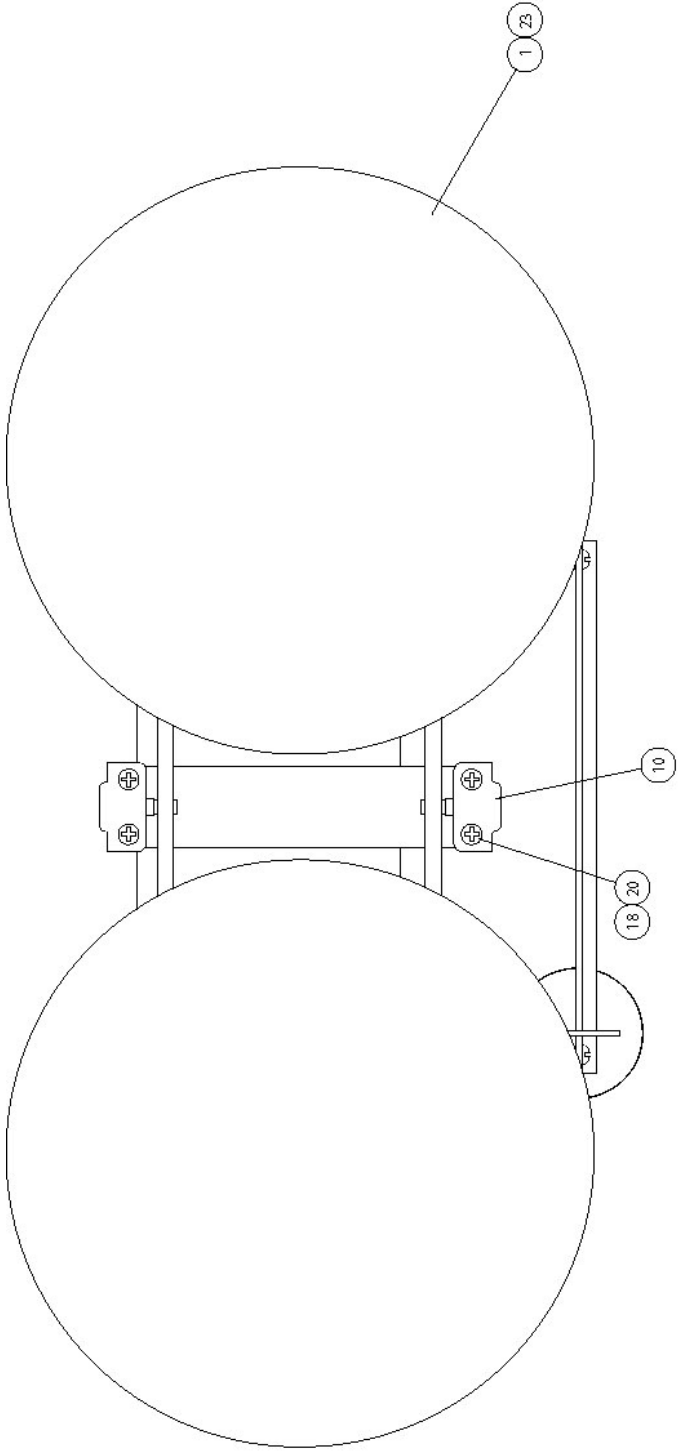
## PARTS IDENTIFICATION, Cont.

### Models 1001TB, 1001TB-X,1001TBNS, 1002TB and 1002TBNS

.001	.001	26	6560-0021	LOCTITE	#222-31 LO-STRENGTH
1	-	25	2E2005	BOTTOM COVER	
2	-	24	6021-0985	SCREW HEX/WASHER	#10-32 X .500 SHEET METAL
2	2	23	6021-0988	SCREW HEX HD	#10-32 X .500
.	.	.	.	.	.
4	4	21	6021-0839	SCREW RD HD	#8-32 X .875
10	10	20	6021-0822	SCREW, RD HD	#8-32 X .375 PHIL DRIVE
12	12	19	6024-1000	WASHER, LOCK	#8 INTERNAL TOOTH
2	2	18	6024-0033	WASHER, LOCK	#10
1	1	17	593GR986	SERIAL TAG ASSY	
4	4	16	6540-1051	RUBBER TIP	5/32" ID X 23/64" OD X 17/32" LG
2	2	15	2E2068	BUMPER PIN	
2	2	14	3E2014X	SHOT CUP WELDMENT	
4	4	13	4E88	END YOKE BEARING	
2	2	12	4E87	CENTER YOKE BEARING	
2	2	11	2E80	SIDE CAP	
2	2	10	2E2008X	END YOKE ASSY	
1	1	9	2E4002X	LEVER ASSEMBLY	
2	2	8	2E34	TOGGLE BAR	
3	3	7	20B1068	TOGGLE PIN	
1	1	6	2E2012X	CENTER YOKE ASSY	
1	-	5	2E2001X-2	BASE WELDMENT	
-	1	4	2E2001X	BASE WELDMENT	
1	1	3	2E33	SIDE BEAM	
1	1	2	1E3204X	POISE	
2	2	1	1E13X	WEIGHT PLATE ASSY	
<b>QTY.</b>	<b>QTY.</b>	<b>ITEM</b>	<b>PART</b>	<b>DESCRIPTION</b>	<b>MATERIAL OR</b>
2E6100X	2E6000X	ASSY	NUMBER		SOURCE

# PARTS IDENTIFICATION, Cont.

Models 1001T2B, 1001T2BNS, 1002T2B and 1002T2BNS



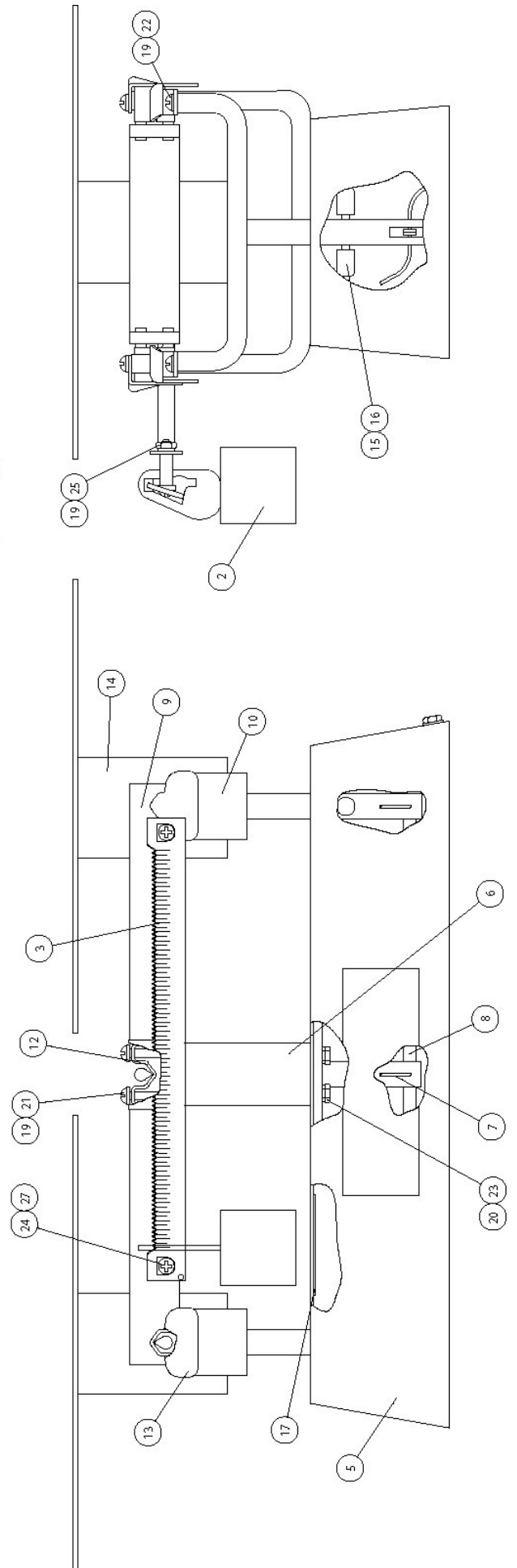
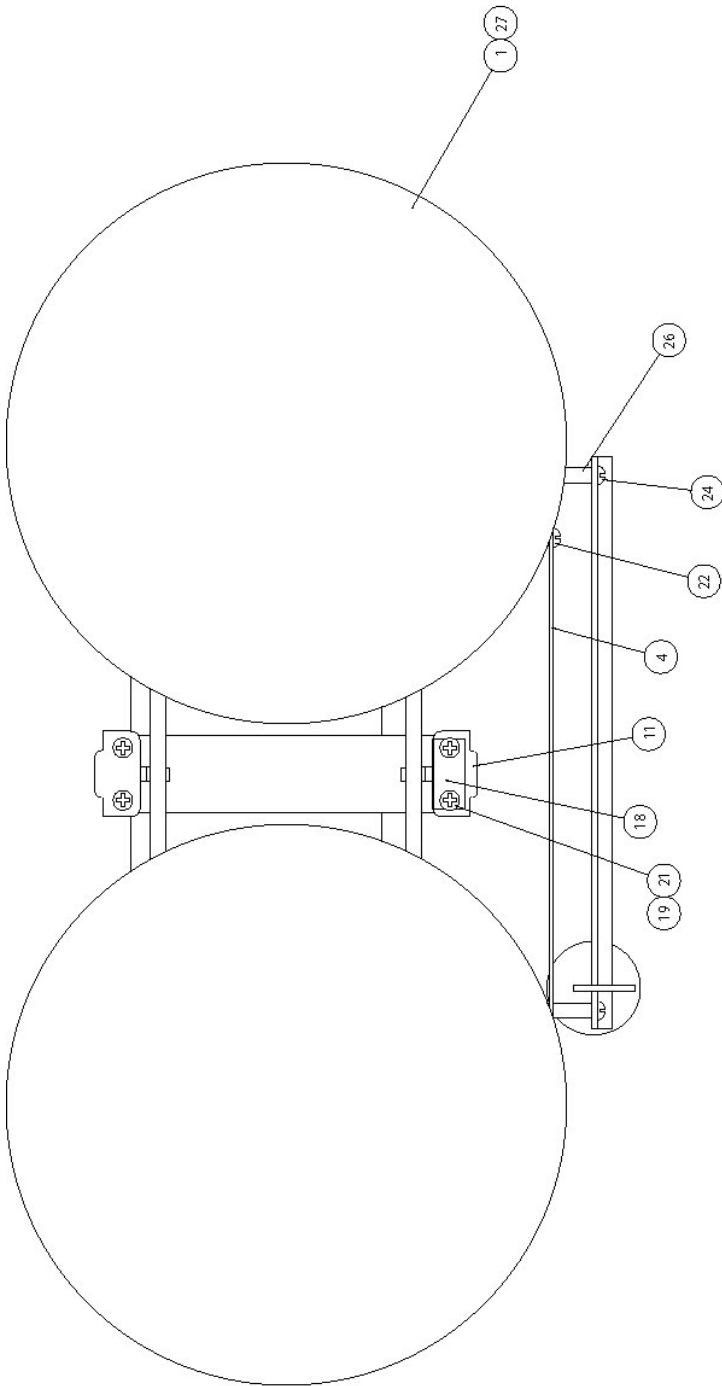
## PARTS IDENTIFICATION, Cont.

### Models 1001T2B, 1001T2BNS, 1002T2B and 1002T2BNS

.001	23	6560-0021	LOCTITE	#222-31 LO-STRENGTH
2	22	6021-0988	SCREW HEX HD	#10-32 X .500
.	.	.	.	.
4	20	6021-0839	SCREW RD HD	#8-32 X .875
10	19	6021-0822	SCREW, RD HD	#8-32 X .375 PHIL DRIVE
12	18	6024-1000	WASHER, LOCK	#8 INTERNAL TOOTH
2	17	6024-0033	WASHER, LOCK	#10
1	16	593GR986	SERIAL TAG ASSY	
4	15	6540-1051	RUBBER TIP	5/32" ID X 23/64" OD X 17/32" LG
2	14	2E2068	BUMPER PIN	
2	13	3E2014X	SHOT CUP WELDMENT	
4	12	4E88	END YOKE BEARING	
2	11	4E87	CENTER YOKE BEARING	
2	10	2E80	SIDE CAP	
2	9	2E2008X	END YOKE ASSY	
1	8	2E4002X	LEVER ASSEMBLY	
2	7	2E34	TOGGLE BAR	
3	6	20B1068	TOGGLE PIN	
1	5	2E2012X	CENTER YOKE ASSY	
1	4	2E2001X	BASE WELDMENT	
1	3	1E4033	SIDE BEAM	
1	2	1E4204X	POISE	
2	1	1E13X	WEIGHT PLATE ASSY	
QTY.	ITEM	PART	DESCRIPTION	MATERIAL OR
2E8000X	ASSY	NUMBER		SOURCE

# PARTS IDENTIFICATION, Cont.

Models 1001TBKG, 1002TBKG





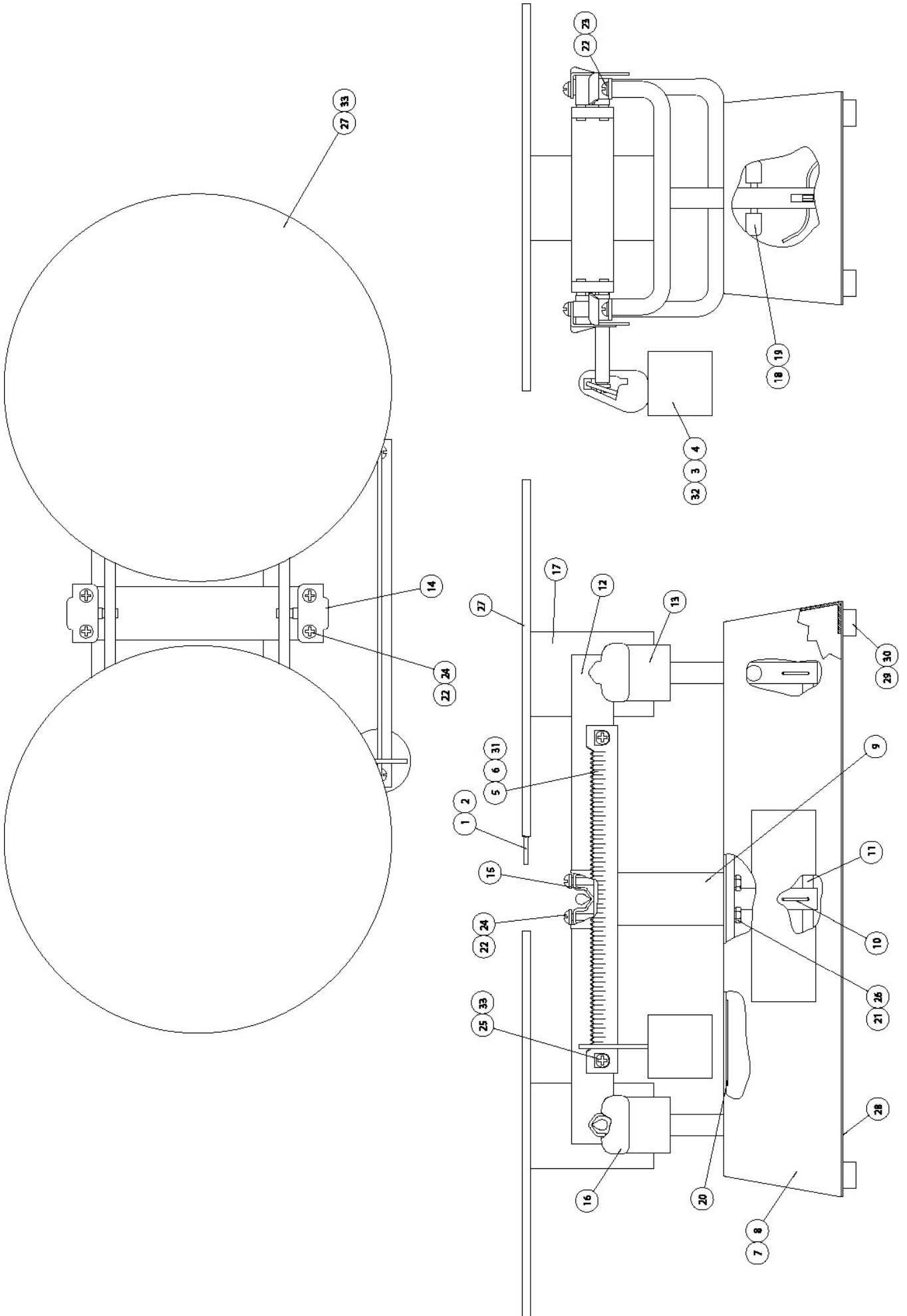
# PARTS IDENTIFICATION, Cont.

## Models 1001TBKG, 1002TBKG

.001	27	6560-0021	LOCTITE	222-31 LO-STRENGTH
2	26	1E705	SPACER	
1	25	6013-0255	HEX NUT	#8-32
2	24	6021-0790	SCREW RD HD	#8-32 X 1.00
2	23	6021-0988	SCREW HEX HD	#10-32 X .500
9	22	6021-0822	SCREW, RD HD	#8-32 X .375 PHIL DRIVE
4	21	6021-0839	SCREW RD HD	#8-32 X .875
2	20	6024-0033	WASHER, LOCK	#10
13	19	6024-1000	WASHER, LOCK	#8 INTERNAL TOOTH
1	18	2E263	SERIAL NO. PLATE	
1	17	593GR986	SERIAL TAG ASSY	
4	16	6540-1051	RUBBER TIP	5/32" ID X 23/64" OD X 17/32" LG
2	15	2E2068	BUMPER PIN	
2	14	3E2014X	SHOT CUP WELDMENT	
4	13	4E88	END YOKE BEARING	
2	12	4E87	CENTER YOKE BEARING	
2	11	2E80	SIDE CAP	
2	10	2E2008X	END YOKE ASSY	
1	9	2E4002X	LEVER ASSEMBLY	
2	8	2E34	TOGGLE BAR	
3	7	20B1068	TOGGLE PIN	
1	6	2E2012X	CENTER YOKE ASSY	
1	5	2E2001X	BASE WELDMENT	
1	4	2E70	READING BRACKET	
1	3	5D247	SIDE BEAM	
1	2	1E3204X	POISE	
2	1	1E13X	WEIGHT PLATE ASSY	
QTY.	ITEM	PART NUMBER	DESCRIPTION	MATERIAL OR SOURCE
2E7000X	ASSY			

# PARTS IDENTIFICATION, Cont.

Models 1051TBS, 1051TBSNS, 1051TBSNSW,  
1051TBS-X, 1051T2BSNS and 1052TBS



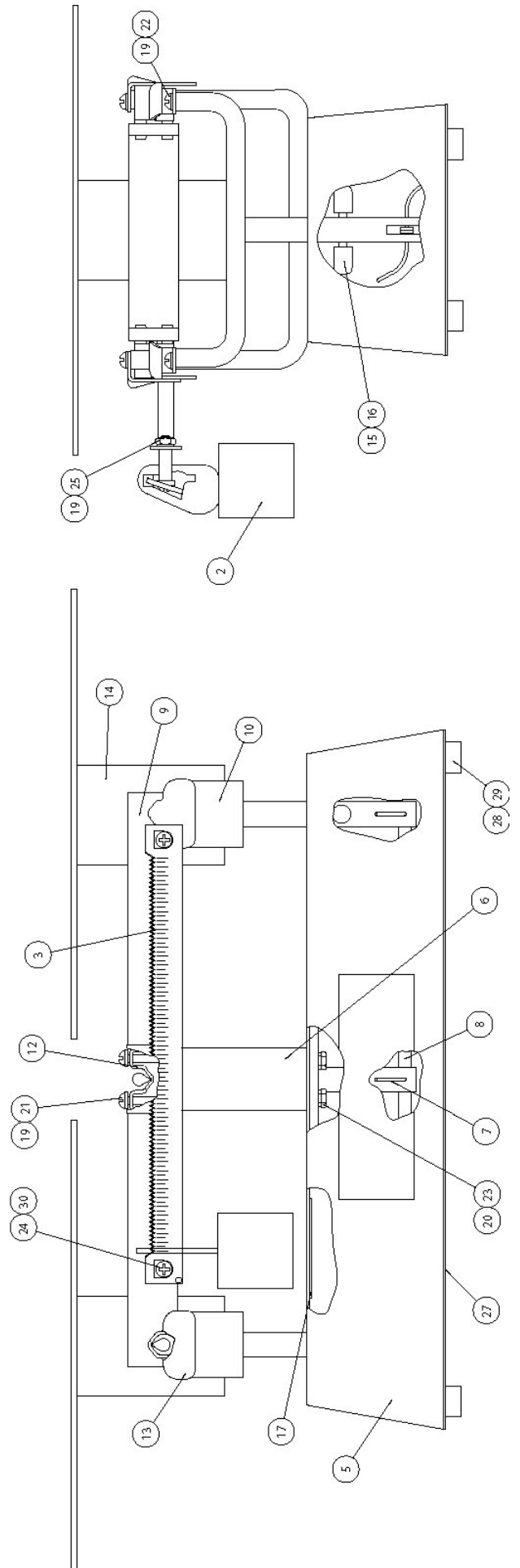
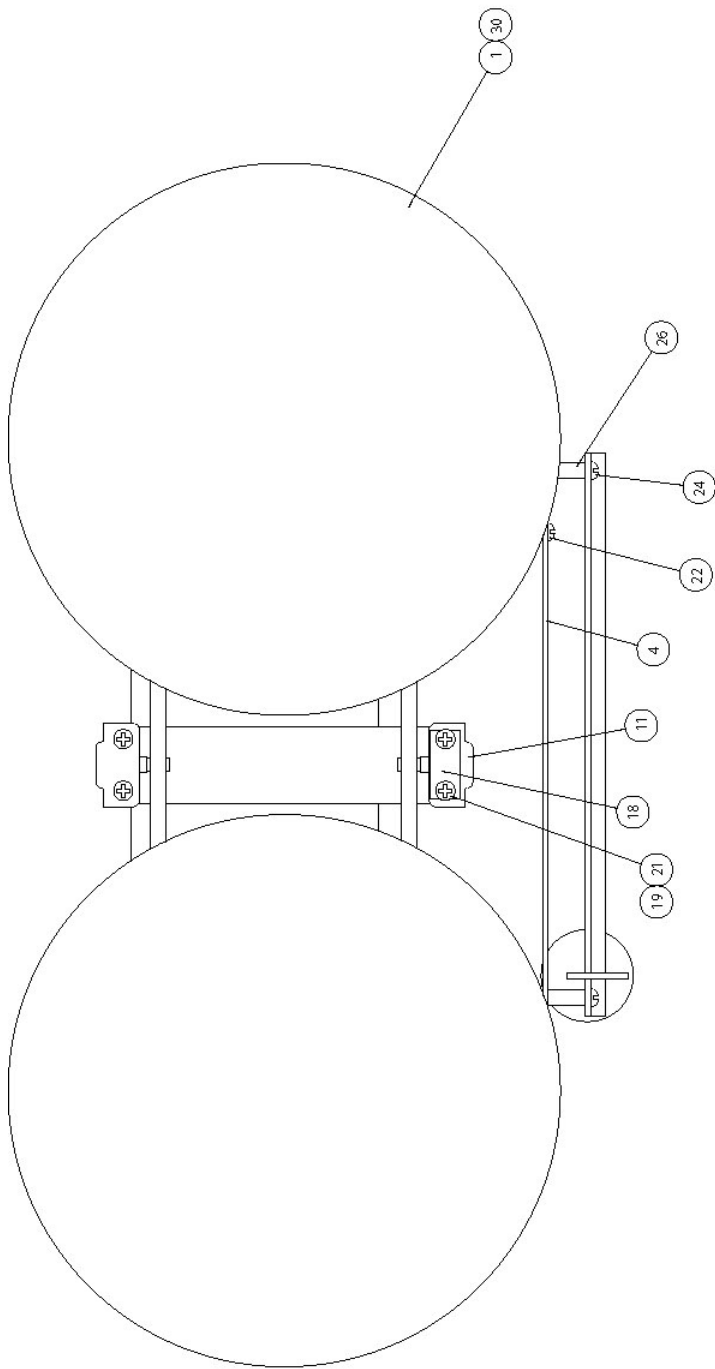
## PARTS IDENTIFICATION, Cont.

**Models 1051TBS, 1051TBSNS, 1051TBSNSW,  
1051TBS-X, 1051T2BSNS and 1052TBS**

.001	.001	.001	33	6560-0021	LOCTITE	222-31 LO-STRENGTH
1	-	-	32	1E5204X	POISE ASS'Y.	S.S. 2 lb.
1	-	-	31	1E3033	READ BEAM	S.S. 2 lb.
4	4	4	30	6021-0106	SCREW, PAN HD	#6-32 X .375 SS SELF TAP
4	4	4	29	6540-1057	RUBBER FOOT	.62 DIA. X .31 HIGH
-	-	1	28	1E2005	BOTTOM COVER	
-	-	-	27	1E1013X	COVER PLATE	S.S. COVER FOR 1E13X WT. PLATE
2	2	2	26	6021-0988	SCREW HEX HD	#10-32 X .500
2	2	2	25	6021-0876	SCREW, RD HD	#8-32 X .375 PHIL DRIVE S.S.
4	4	4	24	6021-0839	SCREW RD HD	#8-32 X .875
8	8	8	23	6021-0822	SCREW RD HD	#8-32 X .375 PHIL DR
12	12	12	22	6024-1000	WASHER, LOCK	#8 INTERNAL TOOTH
2	2	2	21	6024-0033	WASHER, LOCK	#10
1	1	1	20	593GR986	SERIAL TAG ASSY	
4	4	4	19	6540-1051	RUBBER TIP	5/32" ID X 23/64" OD X 17/32" LG
2	2	2	18	2E2068	BUMPER PIN	
2	2	2	17	3E2014X	SHOT CUP WELDMENT	
4	4	4	16	4E88	END YOKE BEARING	
2	2	2	15	4E87	CENTER YOKE BEARING	
2	2	2	14	2E80	SIDE CAP	
2	2	2	13	2E2008X	END YOKE ASSY	
1	1	1	12	2E4002X	LEVER ASSEMBLY	
2	2	2	11	2E34	TOGGLE BAR	
3	3	3	10	20B1068	TOGGLE PIN	
1	1	1	9	2E2012X	CENTER YOKE ASSY	
-	-	-	8	2E2001X	BASE WELDMENT	
1	1	1	7	1E2201X	BASE WELDMENT	
-	-	-	6	2E33	SIDE BEAM	
-	1	1	5	1E2033	SIDE BEAM	
-	-	-	4	1E3204X	POISE	
-	1	1	3	1E2204X	POISE	
-	-	-	2	1E13X	WEIGHT PLATE ASSY	
2	2	2	1	1E2013X	WEIGHT PLATE ASSY	
QTY.	QTY.	QTY.	ITEM	PART NUMBER	DESCRIPTION	MATERIAL OR SOURCE
2E9300X-1	2E9300X	2E9000X	ASSY			

# PARTS IDENTIFICATION, Cont.

Models 1051TBSKG, 1051TBS-XKG, 1052TBSKG



# PARTS IDENTIFICATION, Cont.

## Models 1051TBSKG, 1051TBS-XKG, 1052TBSKG

.001	.001	30	6560-0021	LOCTITE	222-31 LO-STRENGTH
	4	29	6021-0106	SCREW, PAN HD	#6-32 X .375 SELF TAPPING
	4	28	6540-1057	RUBBER FOOT	.62 DIA. X .31 HIGH
	1	27	1E2005	COVER PLATE	
2	2	26	2E9705	SPACER	
1	1	25	6013-0027	HEX NUT	#8-32 SS
2	2	24	6021-1015	SCREW RD HD	#8-32 X 1.00 PHIL DR SS
2	2	23	6021-0988	SCREW HEX HD	#10-32 X .500
9	9	22	6021-0822	SCREW, RD HD	#8-32 X .375 PHIL DRIVE
4	4	21	6021-0839	SCREW RD HD	#8-32 X .875
2	2	20	6024-0033	WASHER, LOCK	#10
13	13	19	6024-1000	WASHER, LOCK	#8 INTERNAL TOOTH
1	1	18	2E263	SERIAL NO. PLATE	
1	1	17	593GR986	SERIAL TAG ASSY	
4	4	16	6540-1051	RUBBER TIP	5/32" ID X 23/64" ODX 17/32" LG
2	2	15	2E2068	BUMPER PIN	
2	2	14	3E2014X	SHOT CUP WELDMENT	
4	4	13	4E88	END YOKE BEARING	
2	2	12	4E87	CENTER YOKE BEARING	
2	2	11	2E80	SIDE CAP	
2	2	10	2E2008X	END YOKE ASSY	
1	1	9	2E4002X	LEVER ASSEMBLY	
2	2	8	2E34	TOGGLE BAR	
3	3	7	20B1068	TOGGLE PIN	
1	1	6	2E2012X	CENTER YOKE ASSY	
1	1	5	1E2201X	BASE WELDMENT	
1	1	4	2E9170	READING BRACKET	
1	1	3	2E9247	SIDE BEAM	
1	1	2	1E2204X	POISE	
2	2	1	1E2013X	WEIGHT PLATE ASSY	
<b>QTY.</b>	<b>QTY.</b>	<b>ITEM</b>	<b>PART NUMBER</b>	<b>DESCRIPTION</b>	<b>MATERIAL OR SOURCE</b>
2E9200X-1	2E9200X	ASSY			





