



DETECTO®

www.Detecto.com



RESCUE 
medical carts

User Guide

PO Box 151 • Webb City, MO 64870
8525-0360-0M Rev A Ph: 417-673-4631 • Fax: 417-673-5001
09/15 www.detecto.com

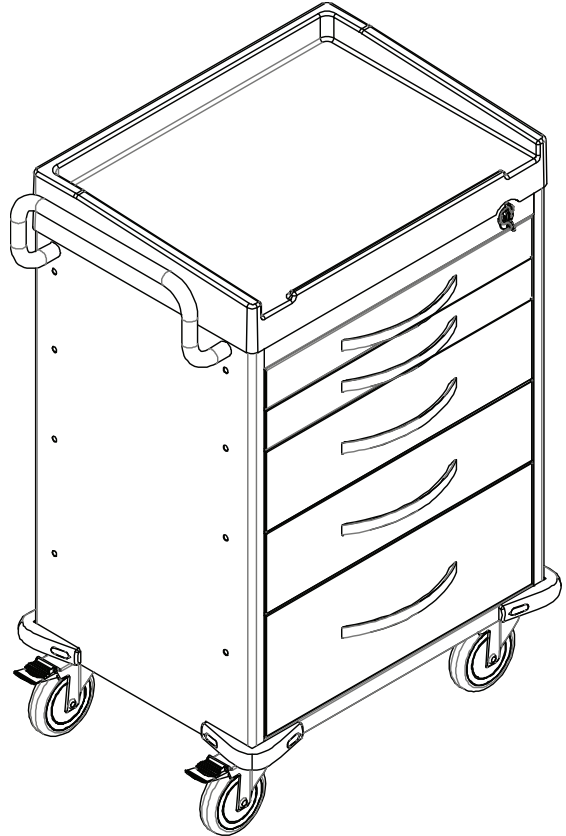
Technical Support: Ph: 866-254-8261 • tech@cardet.com

Introduction

Thank you for purchasing our Detecto Rescue Medical Cart. It has been manufactured with Detecto quality and reliability.

Attention

1. Please read this User Guide before using product.
2. The correct ways to safely use this product are provided by this User Guide.
3. This User Guide lists attention points when you are using this product. If you miss the attention points and use incorrectly, it is possible to get hurt or damage this product.



Precautions



WARNING

Incorrect use of this cart can result in serious injury to operator and/or damage to the cart.



ATTENTION



PROHIBITED

Table of Contents

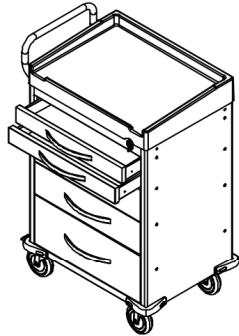
Safety Precautions	1
Rescue Cart Accessories	6
Tool & Accessory Package Standard	6
Push Handle	7
Removal of Drawer and Base	8
Optional Side Accessories	9
A. Side Rail	9
B. Oxygen Tank Side Rail	9
A. B. Attaching Rails	10
C. Catheter Holder	11
D. Glove box Holder	11
E. Bottles Holder	11
F. Multi Bin Storage Basket	11
G. File Holder	11
H. Document Holder	12
I. Waste Container w/Lid	12
J. Sharps Container Holder	12
K. Oxygen Tank Holder	13
Optional Back & Top Accessories	14
A. CPR Cardiac Board & Hooks	14
B. Defibrillator Shelf	15
C. IV Pole	16
D. Accessory Bridge	17
E. Tilt Bins Organizer	18
Drawer Divider System	19

Safety Precautions



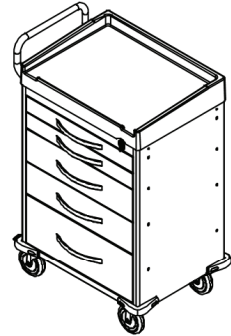
WARNING

Do not open two or more drawers at same time.



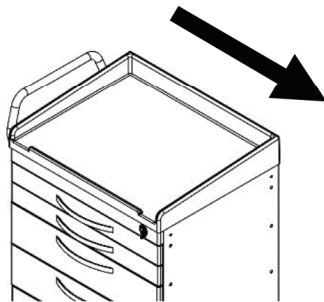
X

Carefully move cart and do not allow it to fall.



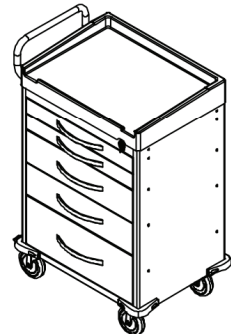
X

Pay attention to direction of cart when moving it.



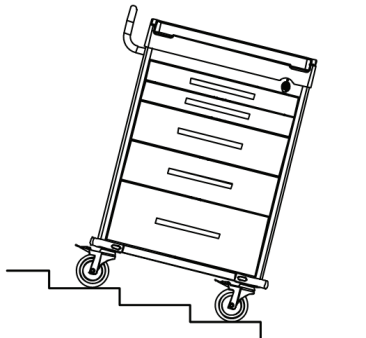
!

Pay attention to the front of cart when moving forward.



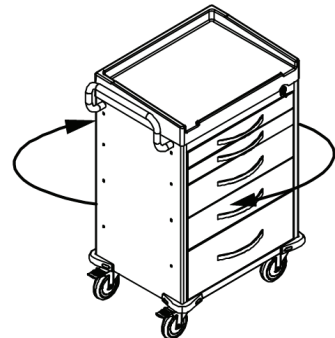
!

Do not use cart on stairs.



X

Do not force cart to turn when caster brake is locked.



X

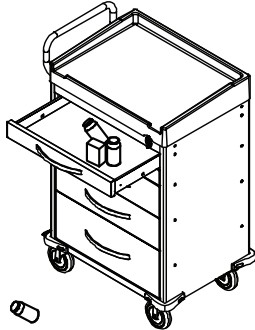
Safety Precautions



WARNING

To prevent falling, do not push on the back of cart.

X



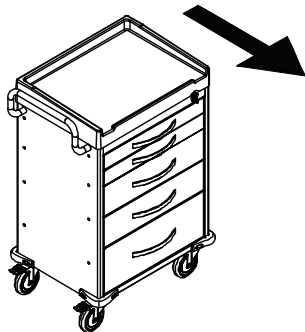
Do not move cart with an open drawer.

X



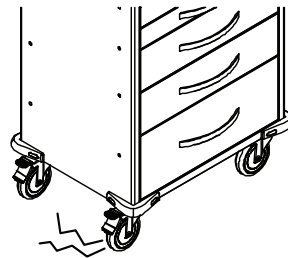
Do not move cart by pushing or pulling on accessory parts.

X



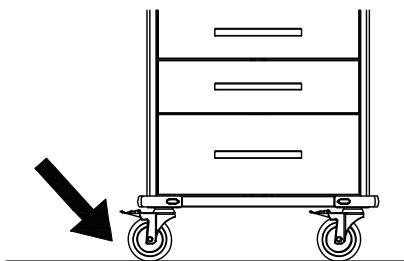
Do not move cart without unlocking caster brakes.

X



Attention!! Remember to lock caster brakes when you stop or park cart.

!

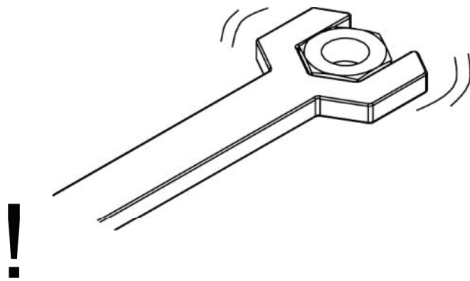


Safety Precautions

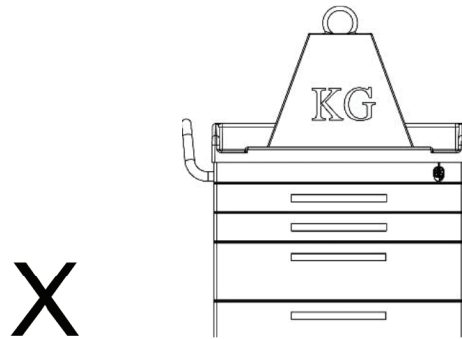


WARNING

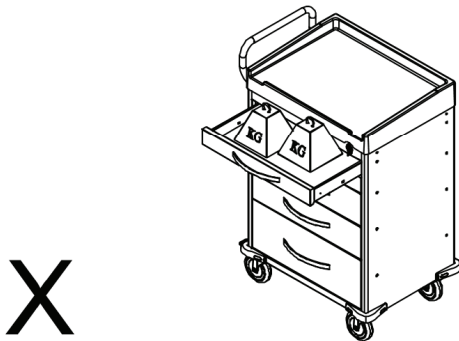
Attention!! Remember to tighten screws when you install parts and accessories.



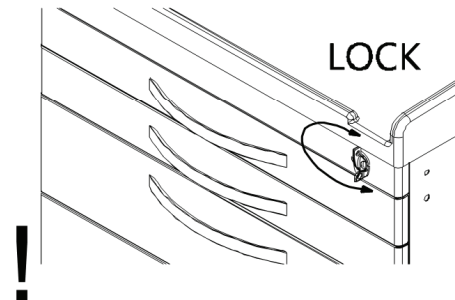
Do not overload top of cart.



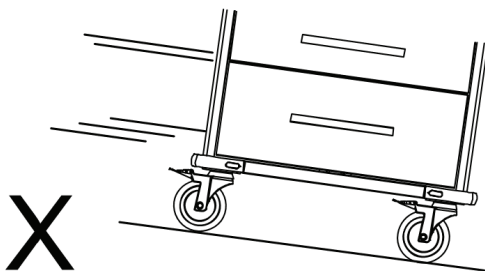
Do not overload drawers.



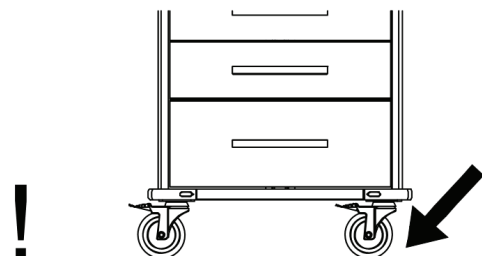
Attention!! Always close and lock drawers.



Do not park cart on an inclined or un-level floor.



Attention!! Park cart on flat level floor.

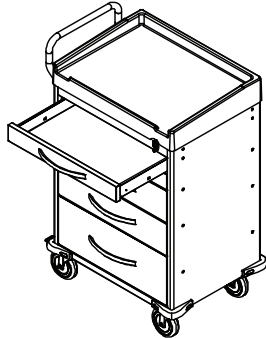


Safety Precautions

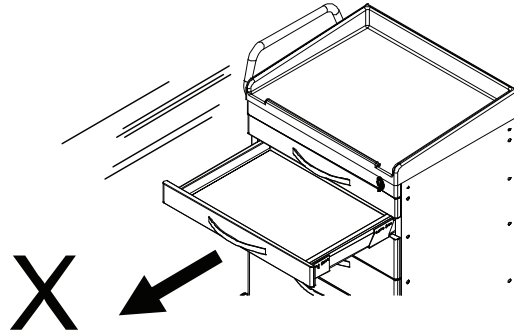


WARNING

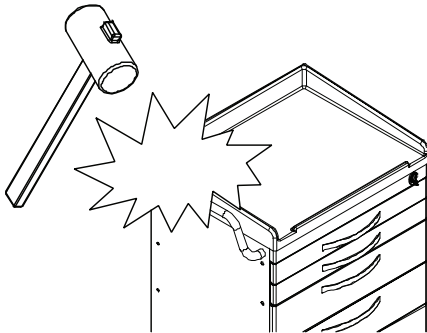
Do not lean against cart with open drawer.



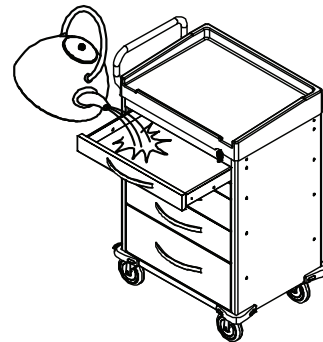
Do not move cart with an open drawer.



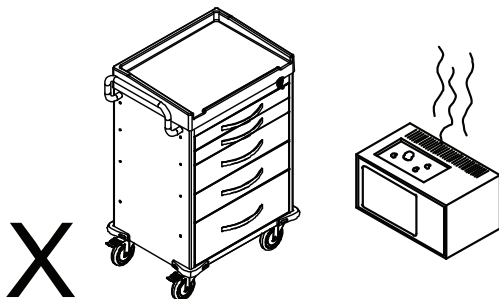
Do not strike cart with objects (ex:Hammer).



Do not pour hot or cleaning liquids into cart drawer.



Do not put high temperature products on cart.

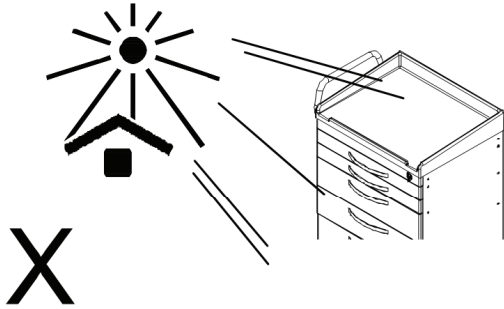


Safety Precautions

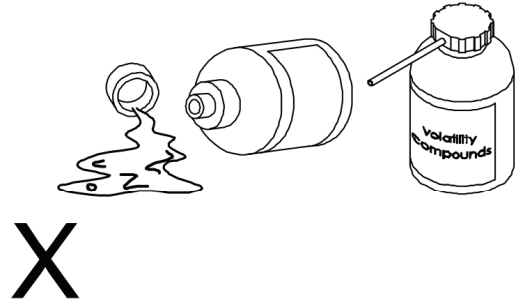


WARNING

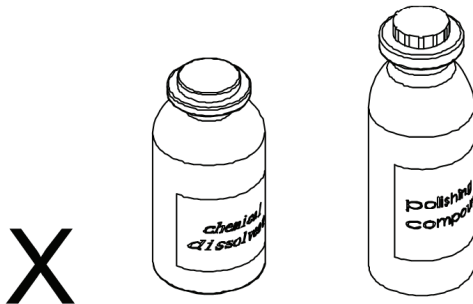
Do not expose cart or accessories to direct sunlight.



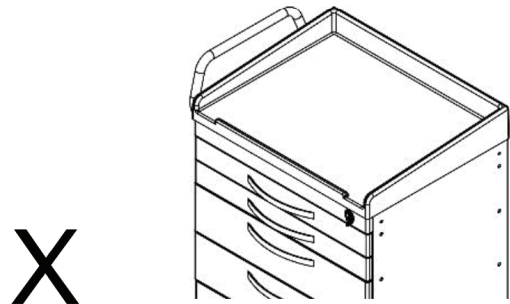
Keep volatile compounds away from cart and accessories.



Keep chemical dissolvent and polishing compounds away from cart and accessories.

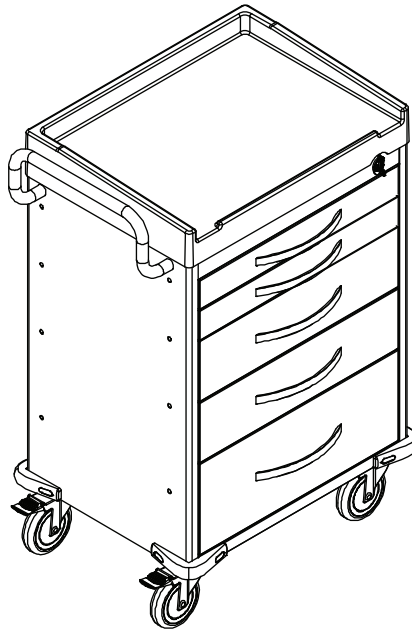


Do not use a hard scrubber to scrape or polish cart.



! It is recommended to use 75% alcohol or a neutral detergent to clean cart.

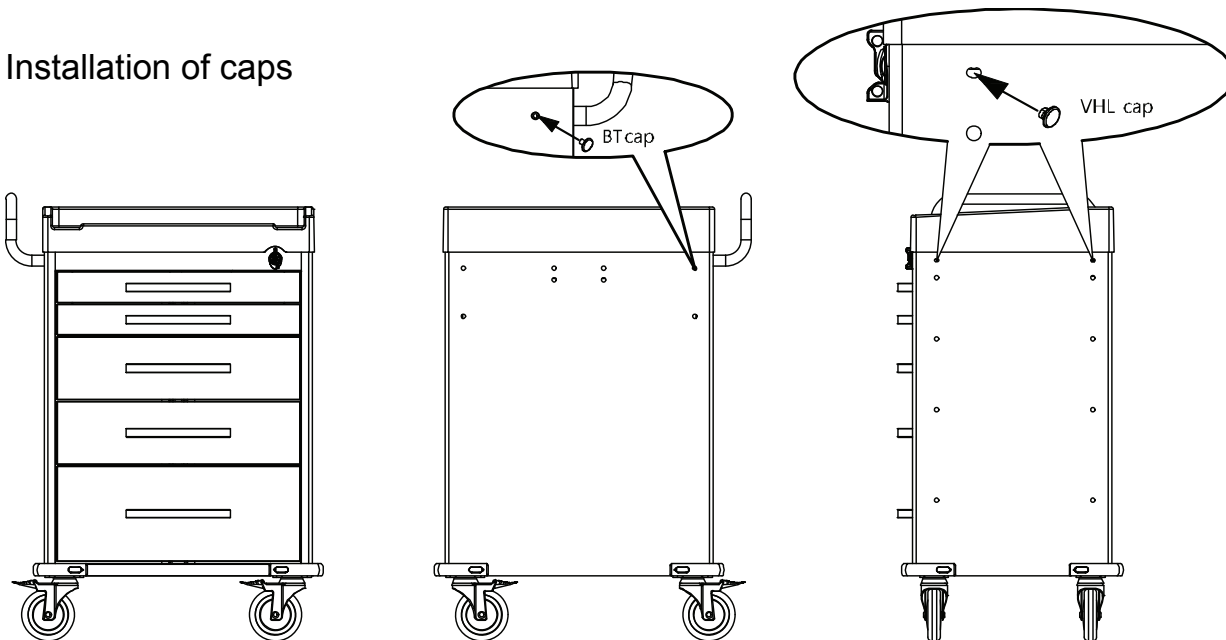
Rescue Cart Accessories



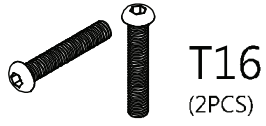
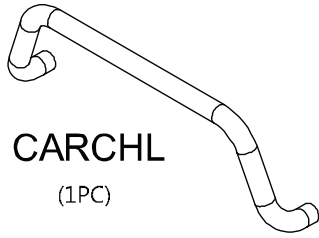
Tool & Accessory Package (Standard)



Installation of caps



Push Handle



Round head hex
socket screw
M6x16L

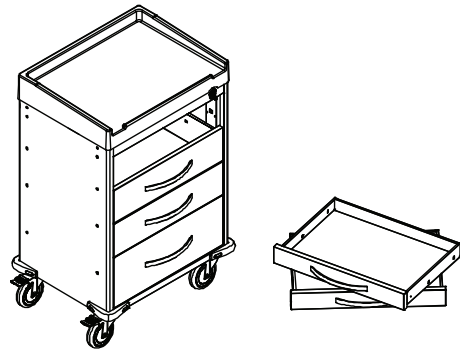


Flat washer
6x16Lx1.5T

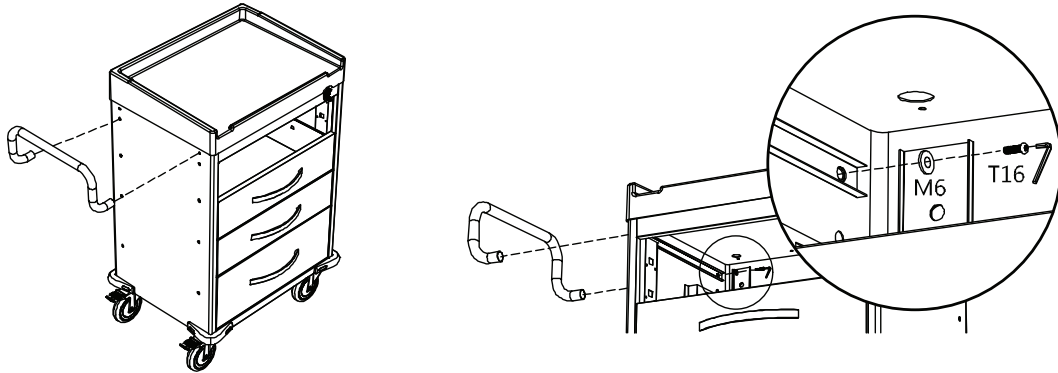
1



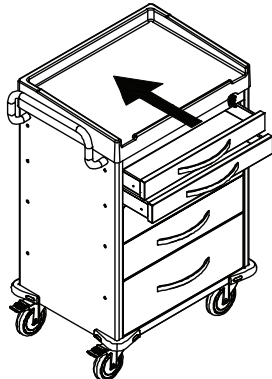
2



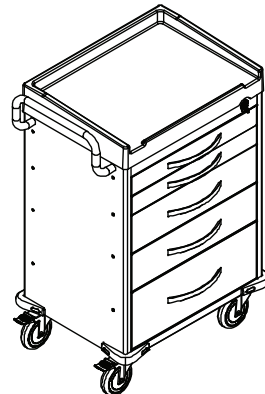
3



4

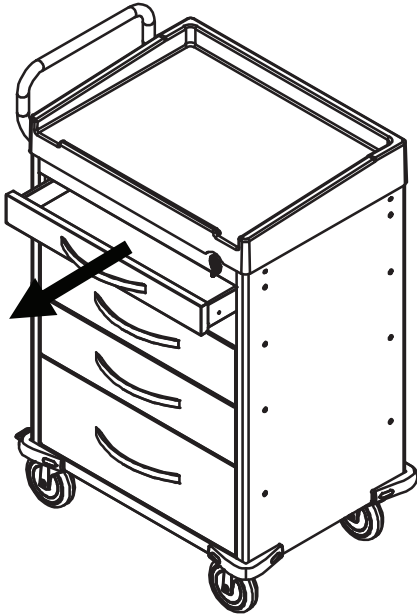


DONE

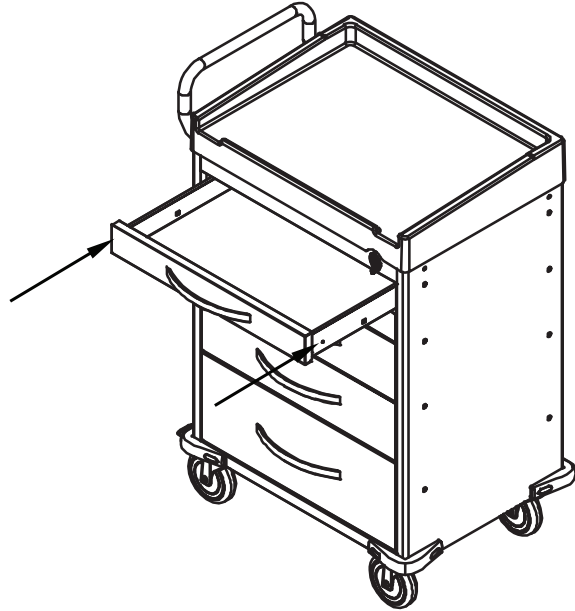


Removal of Drawer

① Pull out a drawer.

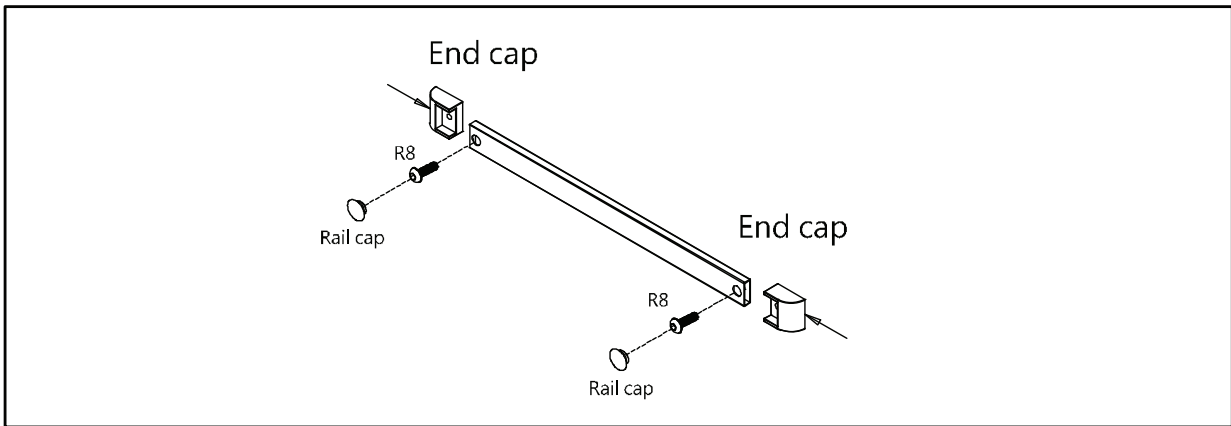
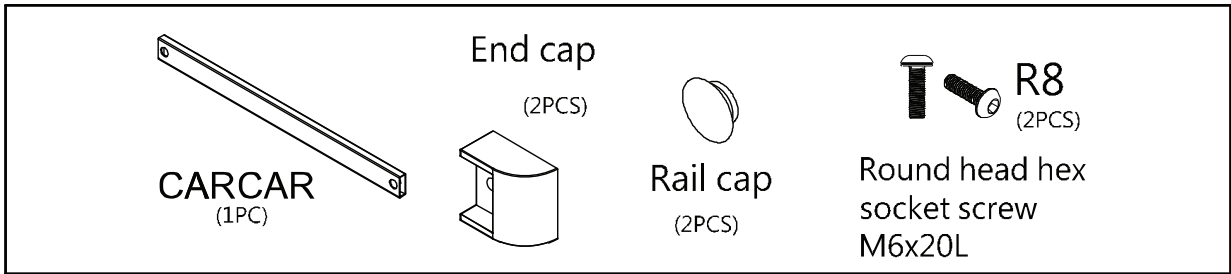


② Push release levers in middle of both slides, one up and one down.

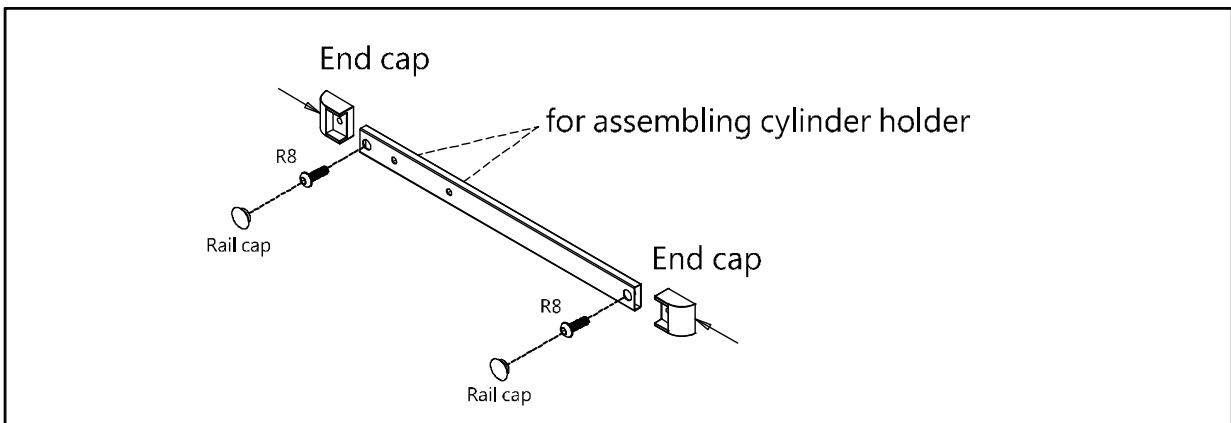
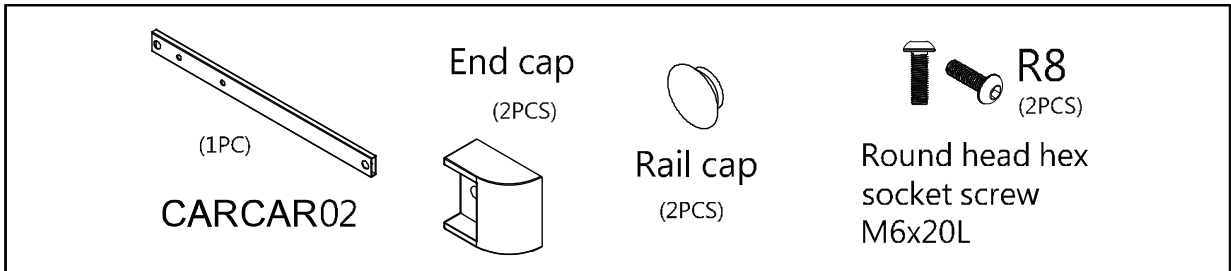


Optional Side Accessories

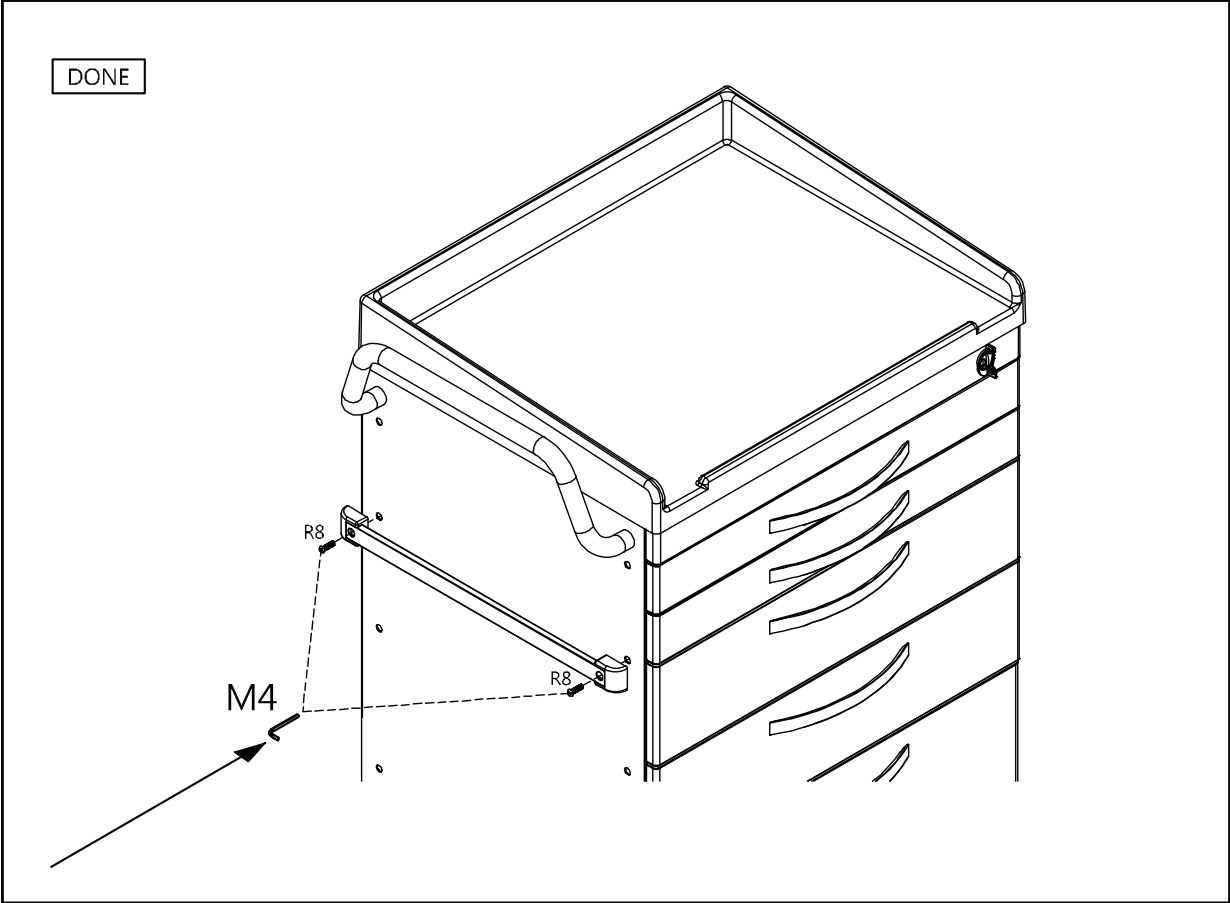
A. Side Rail



B. Oxygen Tank Side Rail



A. B. Attaching Rails



C. Catheter Holder



D. Glove Box Holder



E. Bottles Holder



F. Multi Bin Storage Basket



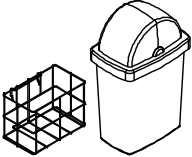
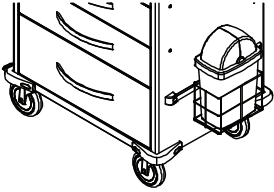
G. File Holder



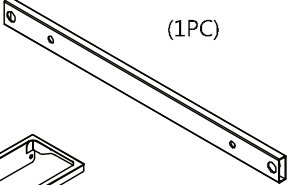


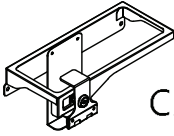

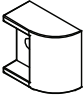
H. Document Holder

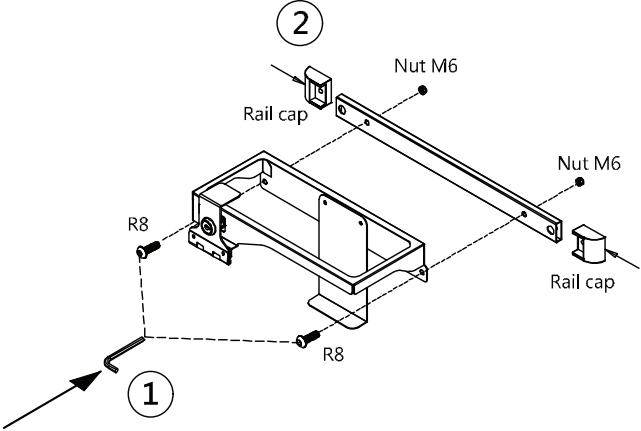
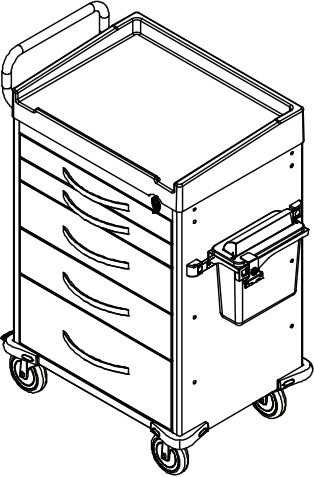
 <p>CARCDH</p>	<p>①</p> <p>See Step A</p>	<p>DONE</p> 
---	----------------------------	---

I. Waste Container w/Lid

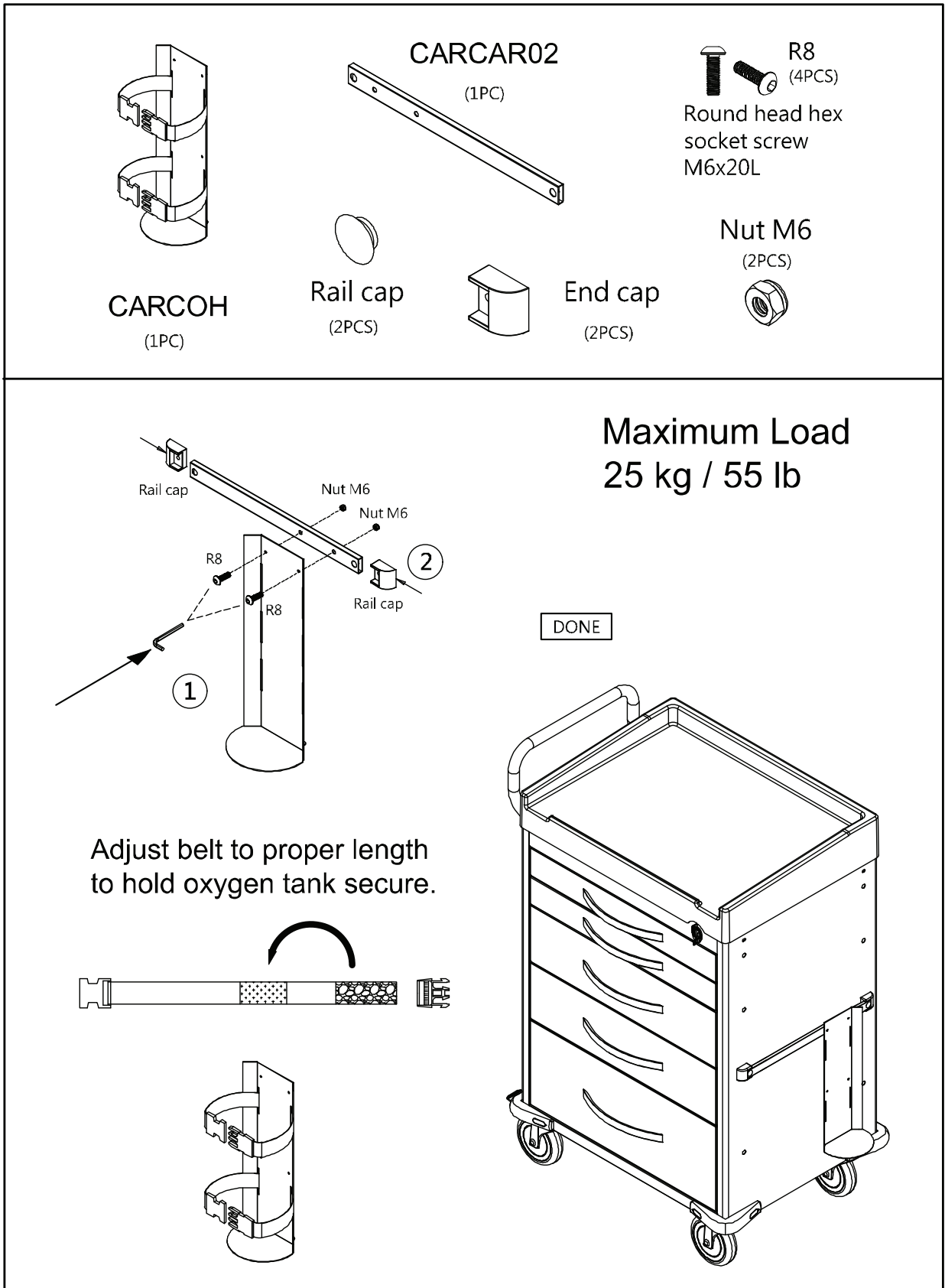
 <p>CARCWB</p>	<p>①</p> <p>See Step A</p>	<p>DONE</p> 
---	----------------------------	---

J. Sharps Container Holder

<p>CARCAR03 (1PC)</p> 	<p>Nut M6 (2PCS)</p> 	<p>R8 (4PCS)</p> <p>Round head hex socket screw M6x20L</p> 
<p>CARCDSC</p> 	<p>Rail cap (2PCS)</p> 	<p>End cap (2PCS)</p> 

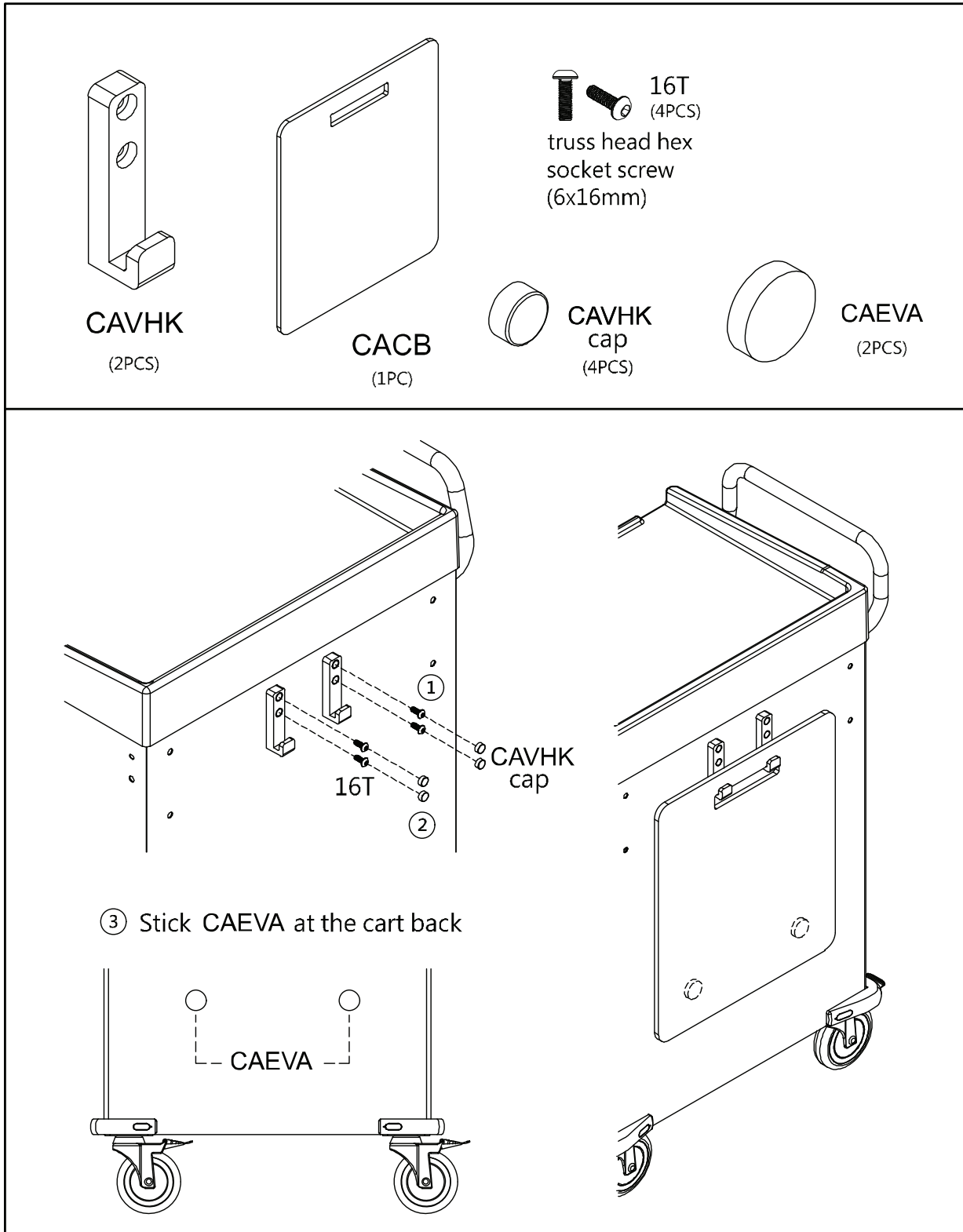
<p>②</p> 	<p>DONE</p> 
--	--

K. Oxygen Tank Holder

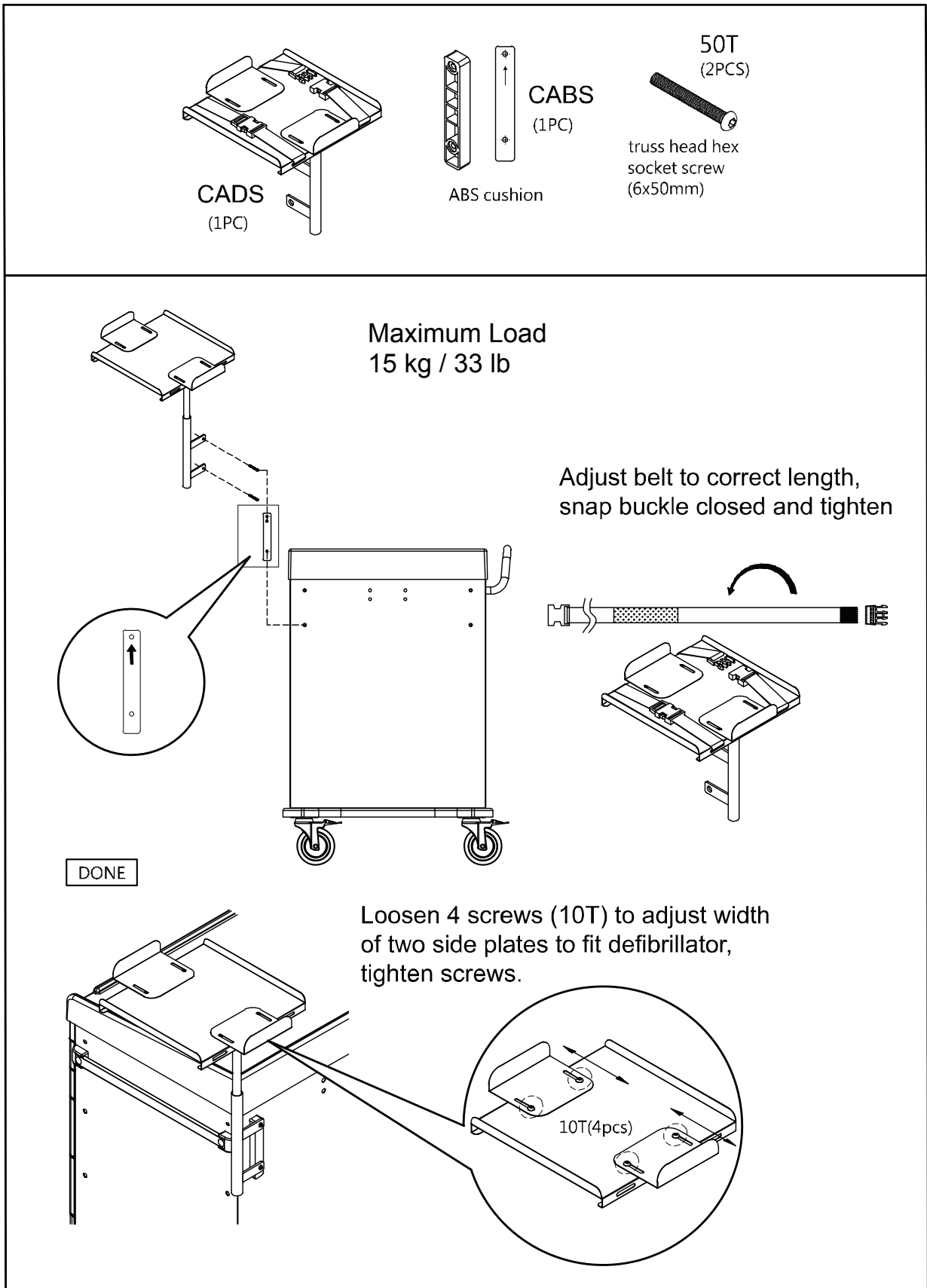


Optional Back & Top Accessories

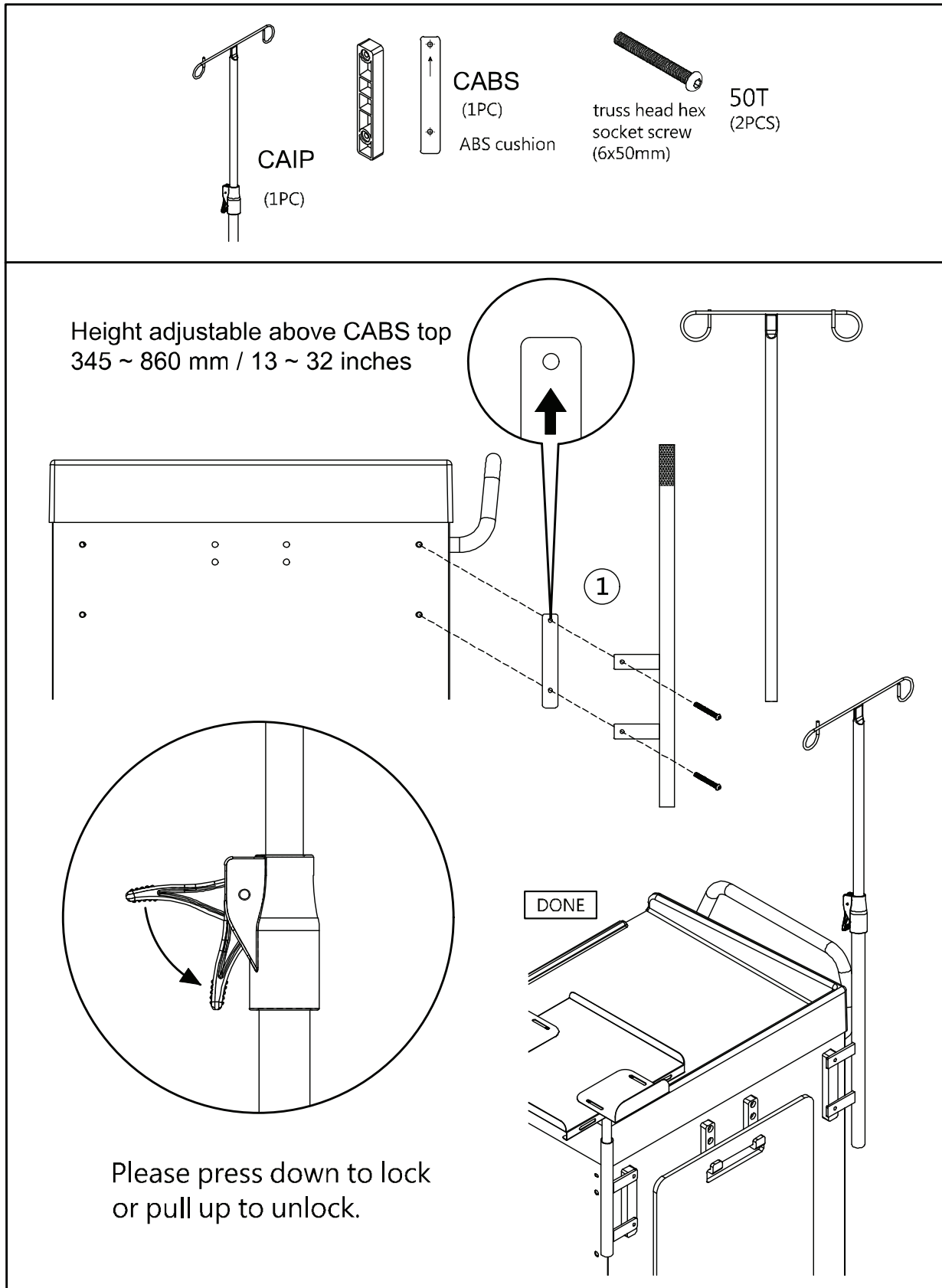
A. CPR Cardiac Board & Hooks



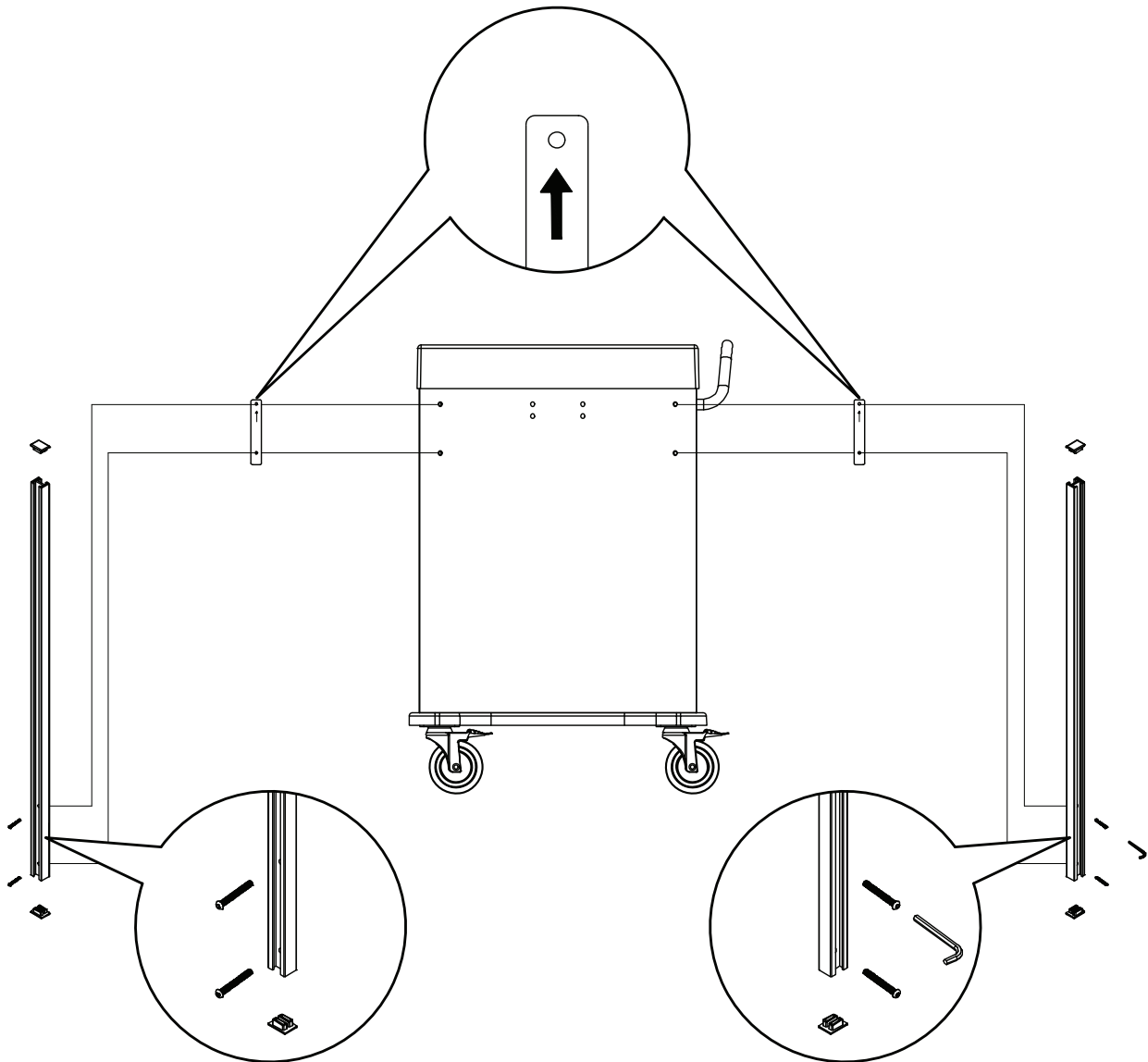
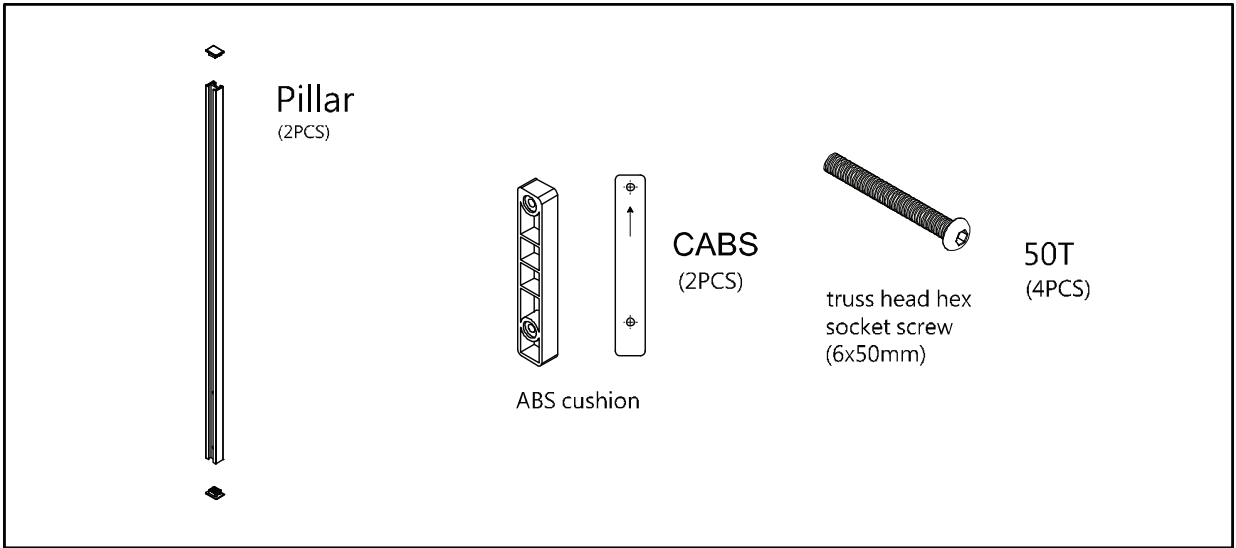
B. Defibrillator Shelf



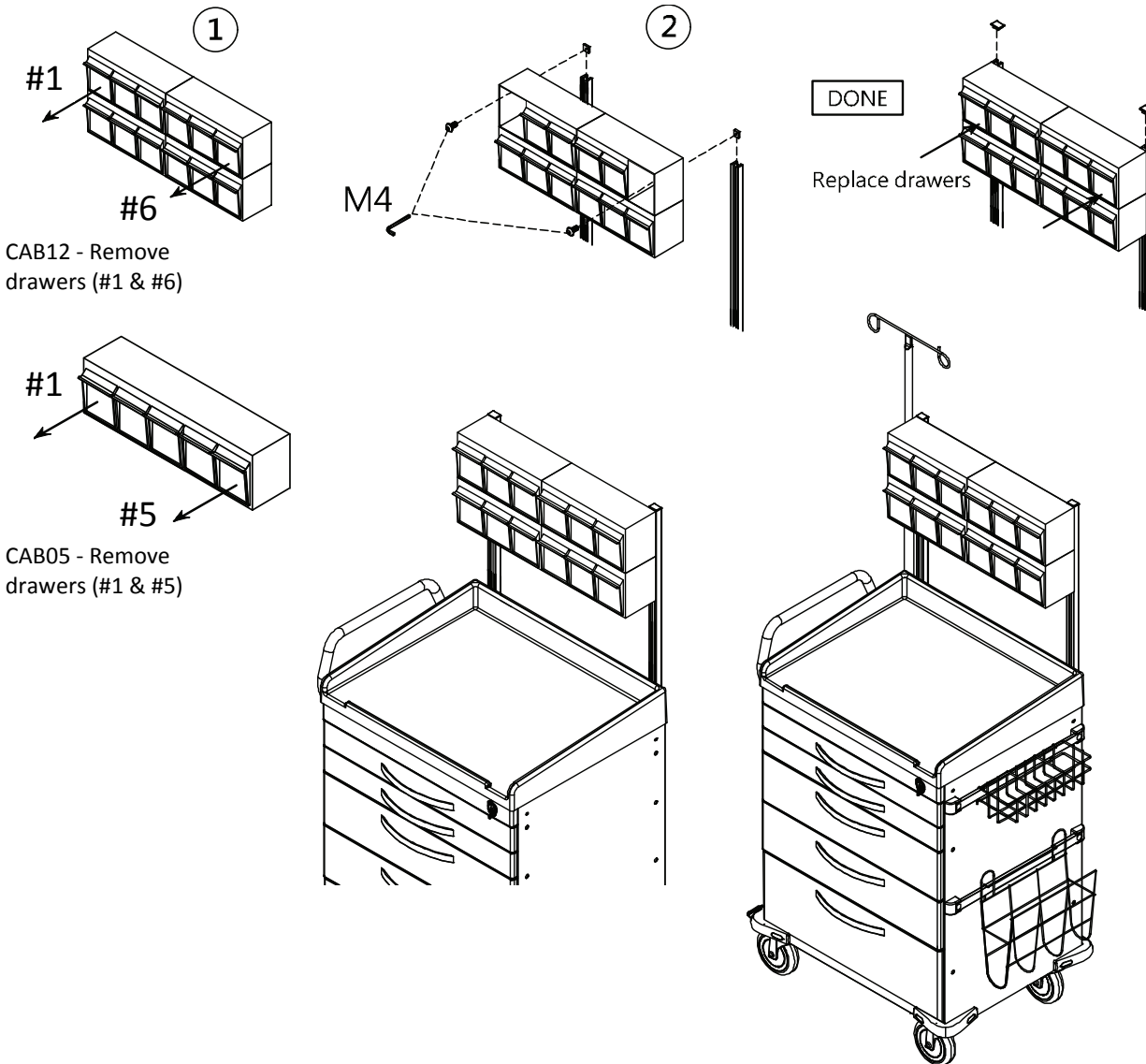
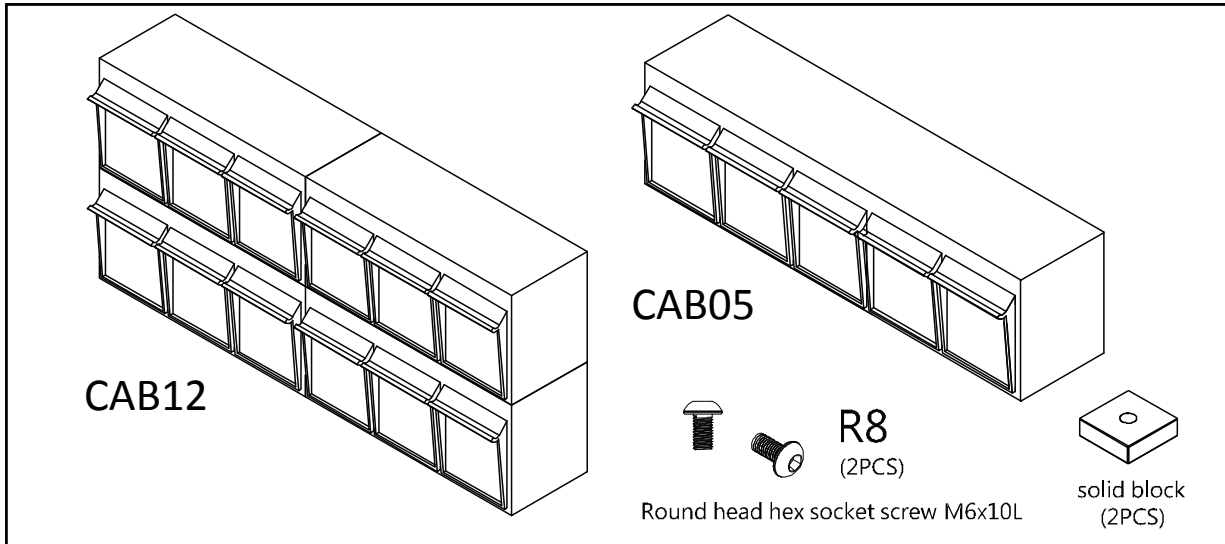
C. IV Pole



D. Accessory Bridge - CABB



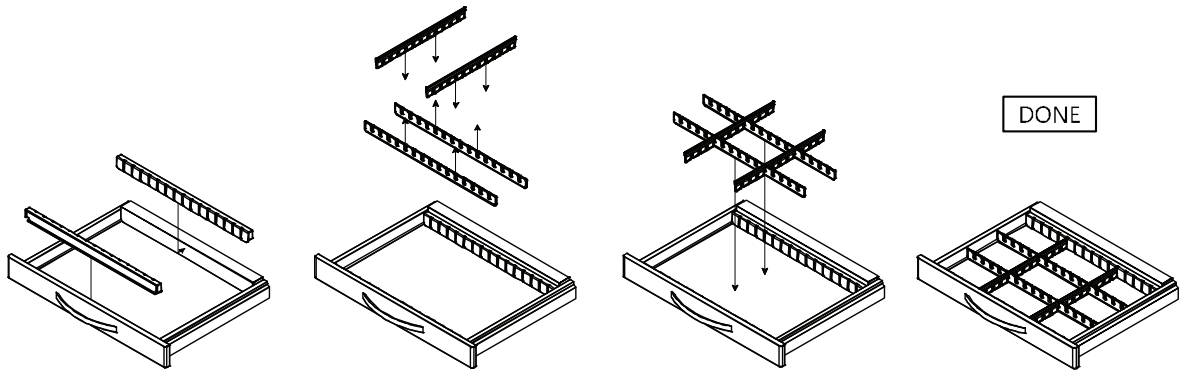
E. Tilt Bins Organizer



Drawer Divider System

Maximum Load
10 kg / 22 lb

CARCDS3 3-inch drawer divider set



CARCDS6 6-inch drawer divider set

