

Hand Dryer Operating Instructions and Parts Manual

Description:

Automatic operation hand dryer.
Casing : HD0907-17 - Painted cast aluminum.

Brushless motor : 100W, 2850 R.P.M. (50Hz)
3400 R.P.M. (60Hz)
Designed with 221°F (105°C) thermostat.
Heater assembly : Designed with 189°F (87°C) thermostat.
Designed with 286°F (141°C) thermal cut-off.
Dryer shall deliver : 171 CFM (291 m³/h).-- 60Hz
150 CFM (255 m³/h).--50Hz.
Air speed : 36.9 mi/hr (16.5 m/s).--60Hz 32.4 mi/hr (14.5 m/s).--50Hz
Sound level : 55±3 db.
Approximately 30-35 seconds drying time.
Adjustable sensitive distance of sensor from 10 to 30 cm.
Power cut off automatically in case of irregular use over 120 seconds. -AUTOMATIC
Adjustable timer control range from 20 to 55 seconds.
Drip proof : IPX1
Weight: 11.2 lbs (5.1 kgs) unpacked ; 11.9 lbs (5.4 kgs) packed.

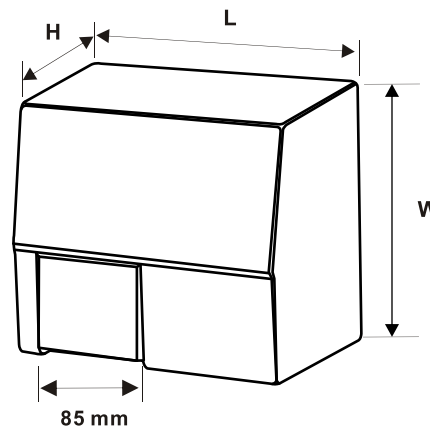
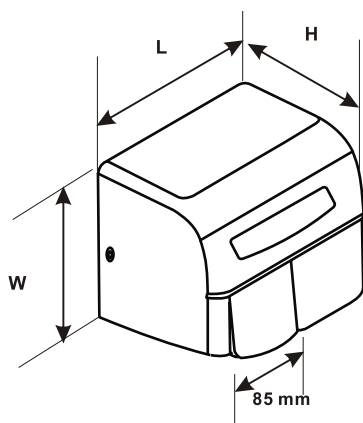


HD0907-17

Certification:     **RoHS WEEE**

Specifications and Dimensions

Model	Volts	Watts	Amps	Housing Dimensions: in (mm)		
				L	W	H
HD0907-17	110-120Vac	1512-1800W	13.8-15A	9-3/4 (248)	8-3/4 (220)	6-3/4 (170)



General safety information

▲ WARNING Disconnect power before installation or servicing.

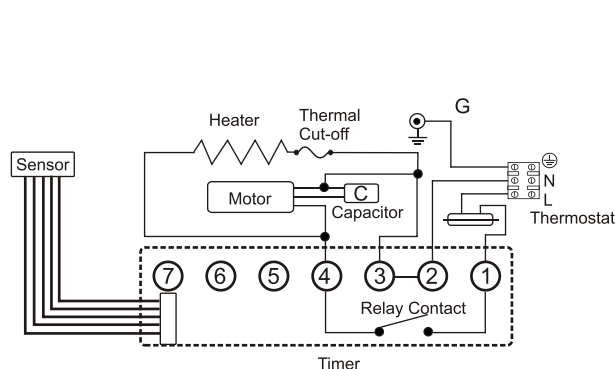
▲ WARNING This product intended for installation by a qualified service person. Use AWG NO. 12 solid conductor for wiring.

▲ WARNING All units must be supplied with a 3-wire service. The ground wire must be connected to the dryer's backplate.

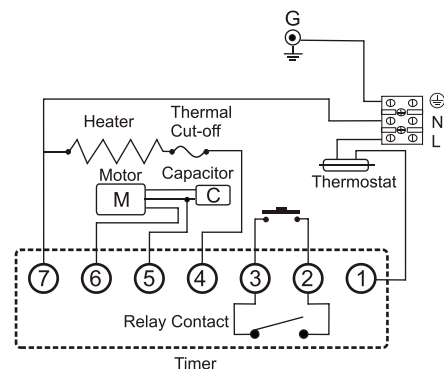
▲ DANGER Failure to properly ground unit could result in severe electrical shock and/or death.

NOTE: Do not install dryer over washbasin.

Wiring Diagrams



Automatic



Push-button

Installation

- Fix the position card on the wall.
Suitable height for hole "D" is 50" (127 cm) from ground.
- Drill 4 holes
(A. B. C. D. 5/16" (8 mm) diameter: 3/8" (35 mm) depth.)
- Take off the mounting instruction sheet.
Hammer dowels into 4 holes.
- Remove the housing from the base plate; fix the base plate firmly on to the wall.
- Connections:
 - Connect the live wire (colored red or brown) to the terminal block marked "L".
 - Connect the neutral wire (colored black or blue) to the terminal block marked "N".
 - Connect the ground wire (colored green and yellow) to the green screw marked "⊕".
- Attach housing back to base plate.

Operation

Shake excess water from hands.
 Place hands under the outlet to start operation.
 Rub hands lightly and rapidly.
 Stops automatically when hands are removed.

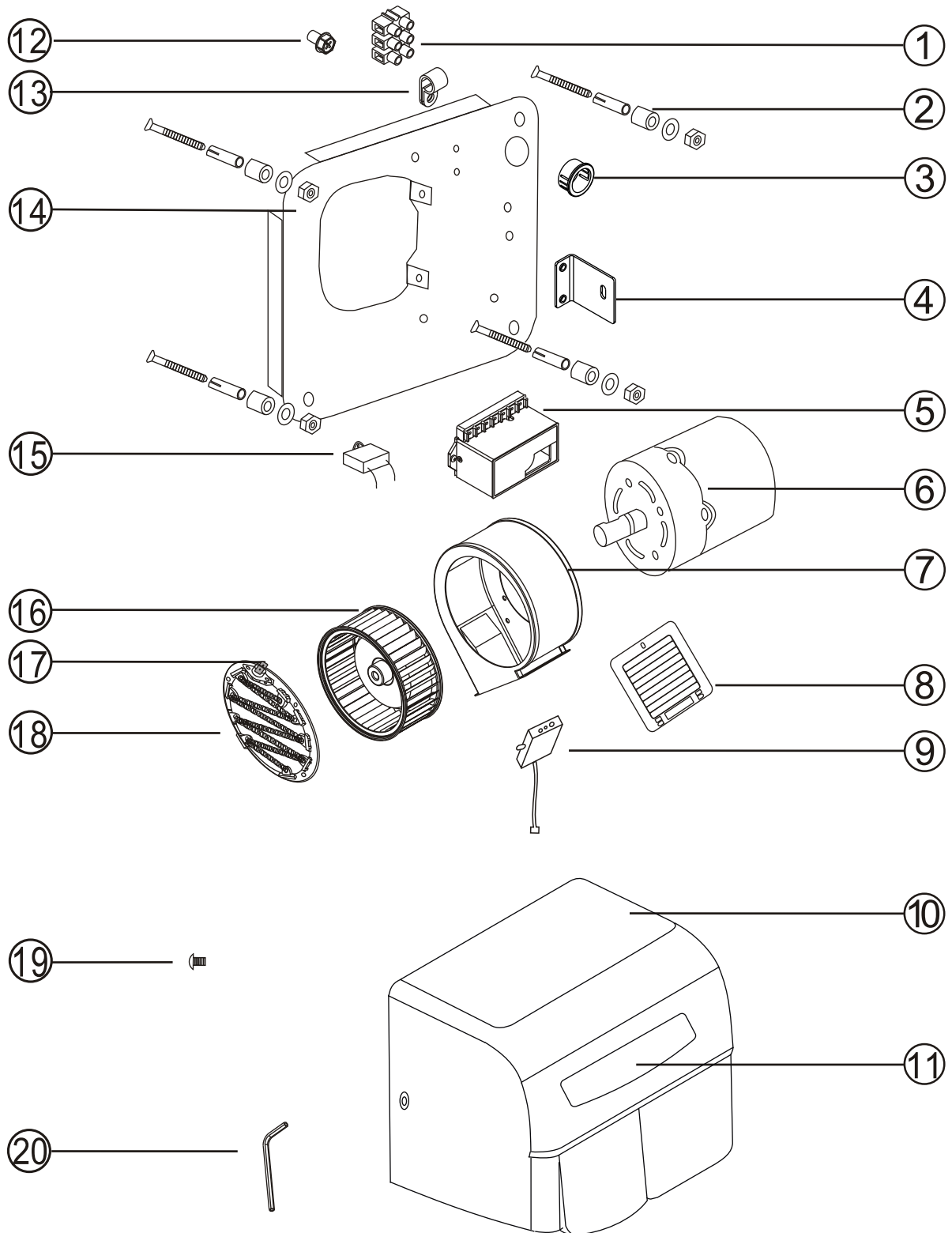
Maintenance

Easy to maintain. If the surface is dirty or dusty just wipe to clean.

Troubleshooting Chart

Symptom	Corrective Action
Blower motor stops running	Turn off power to the dryer at electrical panel. Remove cover. Check all wiring connections from terminal board to the motor. Check blower wheel and spin to make sure it rotates freely: Look for objects blocking the free movement. Replace cover and turn on power to the hand dryer. If motor fails to start, have a qualified electrician check the Push-On-Switch, thermostat, motor and capacitor for proper operation. Replace if necessary.
Dryer blows cold air	Turn off power to the dryer at the electrical panel. Remove cover. Check all wiring connections to make sure all terminals are firmly mounted in place and the wire insulation is in good condition. Have a qualified electrician check the thermal cut off and heating element. Replace cover, turn on power to the hand dryer. If dryer continues to blow cold air, replace defective thermal cut off and/or heating element.
Dryer does not respond to hand movement	Make sure power is on and available to the unit. Place hands under sensor. A clicking sound indicates sensor is functioning properly. No clicking sound would indicate a bad sensor and/or contactor. Replace if necessary.
Dryer will not shut off or will not run for a complete cycle	Replace timer assembly

Hand Dryers



Automatic

Repair parts list

Reference Number	Description	Part #	Qty.
1	Power terminal block	F01-005	1
2	Dowel assembly	D03-003	4
3	Nylon hole bushing	A01-002	1
4	Motor mounting bracket	C01-005	1
5	Timer assembly		1
	120VAC	TIA01-2	
	240VAC	TIA02-2	
6	Motor		1
	1/8HP@120VAC	E01-001	
	1/8HP@240VAC	E01-002	
7	Blower housing	C02-001	1
8	Air outlet guard	C01-013	1
9	Sensor mouldle	F02-003-1	1
10	Cover		1
	1800CA	B05-002	
	1800EA	B05-005	
	1800SA	C05-006	
11	Nameplate	K05-012	1
12	Grounding Screw	D01-002	1
13	Nylon cable clamp	A01-001	1
14	Base plate	C04-003	1
15	Capacitor		1
	120VAC	F01-001	
	240VAC	F01-002-2	
16	Fan blower	C01-001-1	1
17	Thermostat	F04-003-1	1
18	Heating element assembly	E01-033	1
19	Security hex screw	D01-007	2
20	Security hex wrench	C01-002	1

Automatic