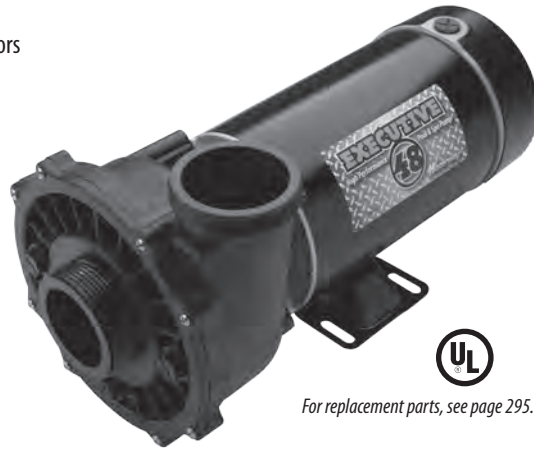




FEATURES:

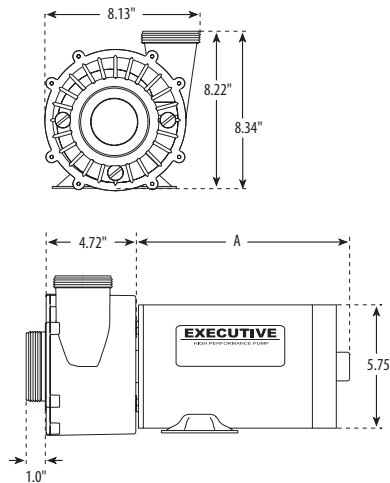
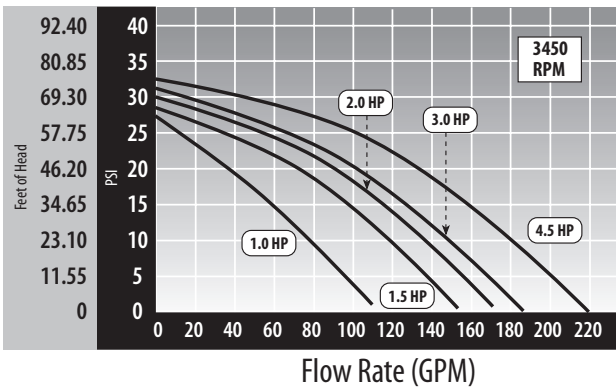
- Executive wet end designed specifically for 48-frame motors
- Large 2 1/2" intake for improved flow performance and reduced noise
- Large 6 1/2" diameter wet end for higher head pressure
- Thermally protected to extend life expectancy of motor
- Highly versatile wet end can be rotated every 90°
- Silicone carbide seals, Viton bellows, 316SS casing

Call for available cords and plugs.



For replacement parts, see page 295.

PRESSURE VERSUS FLOW RATE



2-Speed Executive 48-Frame Pumps

Part No.	Description	HP	Volts	Amps High Speed	Amps Low Speed	Hz	Dimension "A"	Weight (lbs.)	List (US \$)
3420410-1A	2" Intake - 2" Discharge	1.0	115	11.0	2.9	60	9.73"	27	609.09
3420410-13	2 1/2" Intake - 2" Discharge	1.0	115	11.0	2.9	60	9.73"	27	609.09
3420610-1A	2" Intake - 2" Discharge	1.5	115	16.4	4.4	60	10.48"	30	665.10
3420610-13	2 1/2" Intake - 2" Discharge	1.5	115	16.4	4.4	60	10.48"	30	665.10
3420620-1A	2" Intake - 2" Discharge	1.5	230	8.0	2.6	60	10.45"	30	665.10
3420620-13	2 1/2" Intake - 2" Discharge	1.5	230	8.0	2.6	60	10.45"	30	665.10
3420820-1A	2" Intake - 2" Discharge	2.0	230	10.5	2.6	60	11.0"	33	704.73
3420820-13	2 1/2" Intake - 2" Discharge	2.0	230	10.5	2.6	60	11.0"	33	704.73
3421221-1A	2" Intake - 2" Discharge	3.0	230	8.5	2.8	60	11.0"	36	729.26
3421221-13	2 1/2" Intake - 2" Discharge	3.0	230	8.5	2.8	60	11.0"	36	729.26
3421821-1A	2" Intake - 2" Discharge	4.5	230	12.0	3.5	60	11.98"	37	822.14
3421821-13	2 1/2" Intake - 2" Discharge	4.5	230	12.0	3.5	60	11.98"	36	822.14

1-Speed Executive 48-Frame Pumps

Part No.	Description	HP	Volts	Amps	Hz	Dimension "A"	Weight (lbs.)	List (US \$)
3410410-1A	2" Intake - 2" Discharge	1.0	115	12	60	9.23"	22	527.02
3410610-1A	2" Intake - 2" Discharge	1.5	115	17	60	9.78"	26	566.34
3410830-1A	2" Intake - 2" Discharge	2.0	115/230	20/10	60	10.98"	33	648.56
3410830-13	2 1/2" Intake - 2" Discharge	2.0	115/230	20/10	60	10.98"	33	648.56
3411621-1A	2" Intake - 2" Discharge	4.0	230	12	60	11.18"	36	761.83
3411621-13	2 1/2" Intake - 2" Discharge	4.0	230	12	60	11.18"	36	761.83

Pumps and replacement motors that are single speed and one (1) total HP or greater cannot be sold, offered for sale, or installed in a residential pool for filtration use in California, Title 20 CCR sections 1601-1609.