

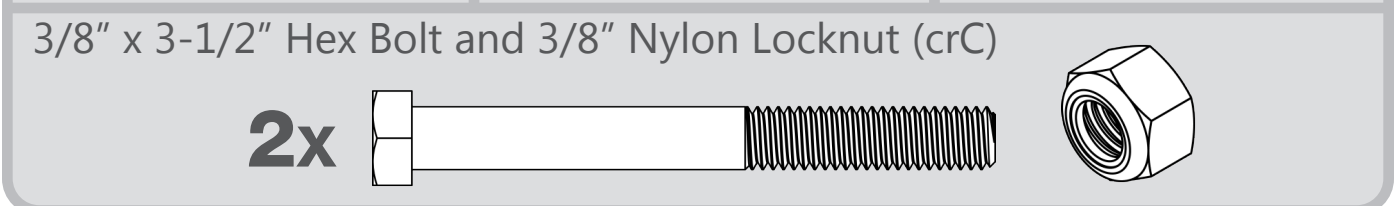
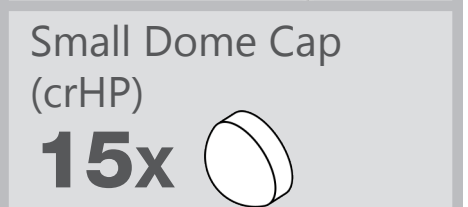
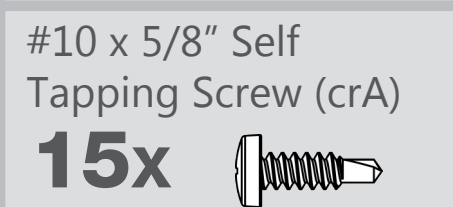
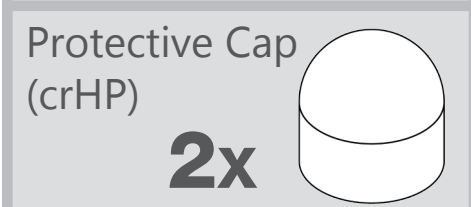
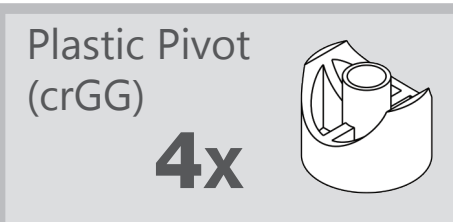
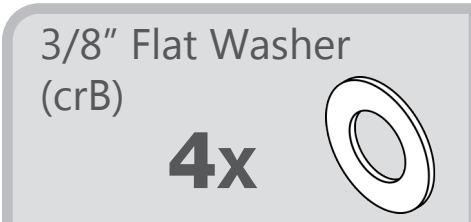
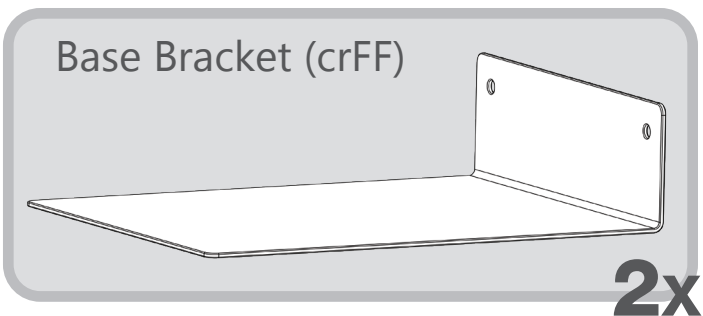
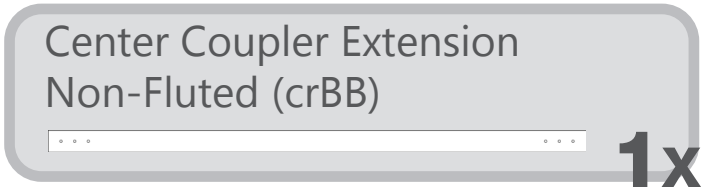
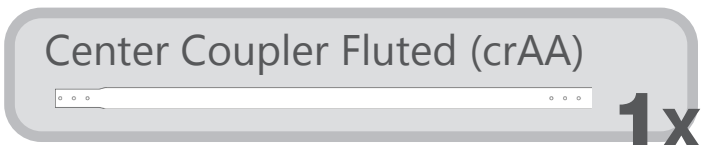
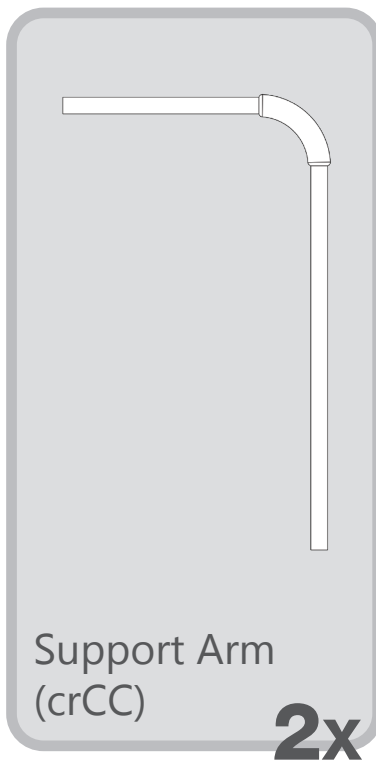
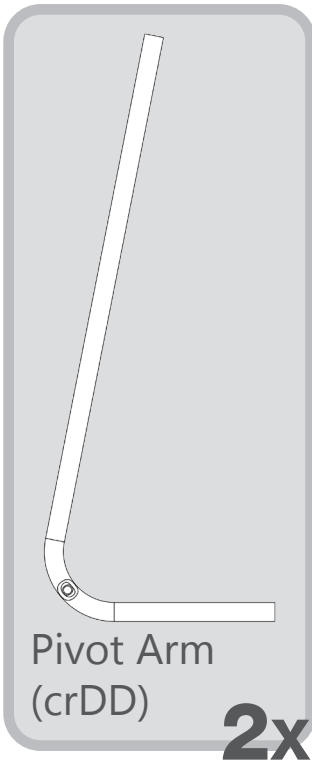
COVERVALET™

PREMIUM HOT TUB

COVER LIFTER

ROCK-IT

PARTS & HARDWARE



STEP 1

GETTING STARTED

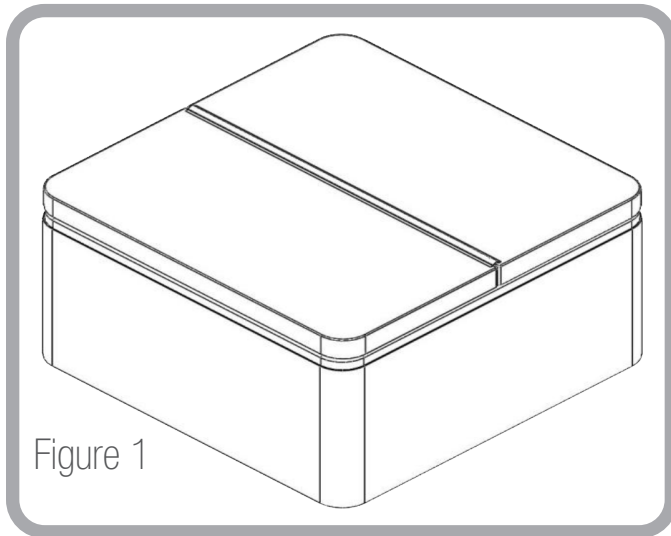


Figure 1

- Position the spa cover in the closed position on the spa, making sure that all four corners are properly positioned and square on the spa. See Figure 1.

STEP 2 PLACING THE BASE BRACKET

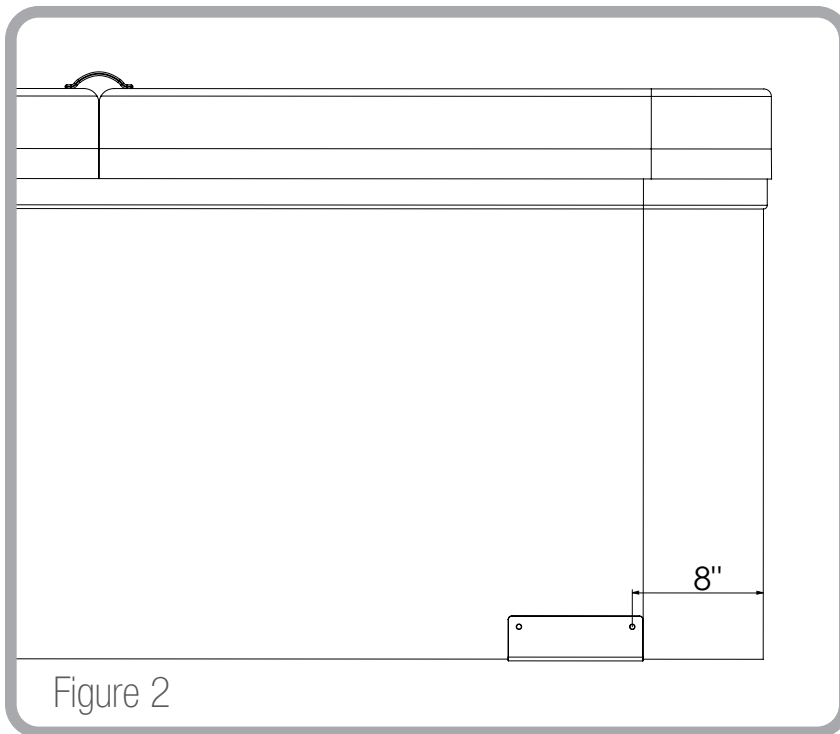


Figure 2

2x

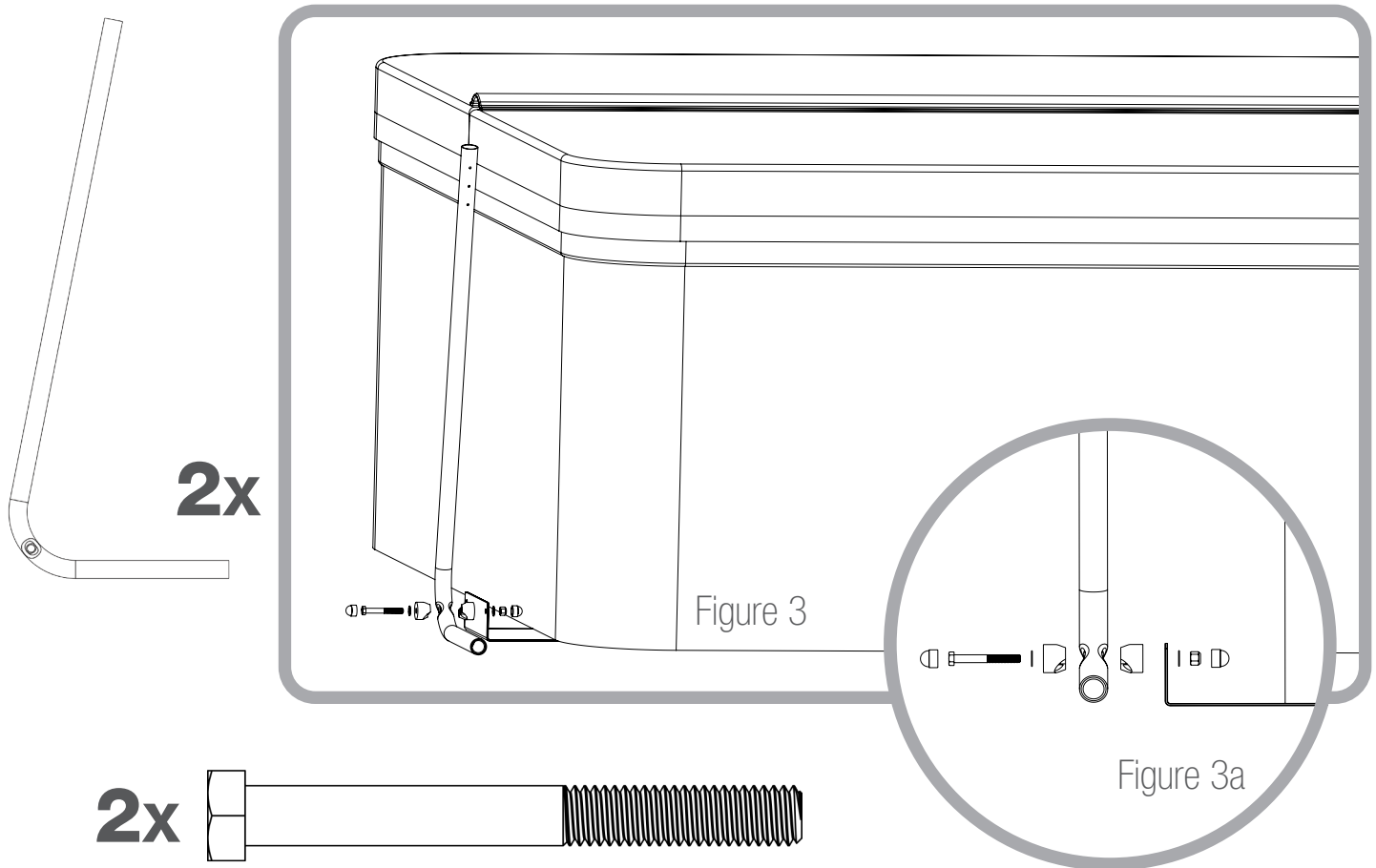


- Slide the Base Bracket under the spa 8" from the back edge. See Figure 2

STEP 2

CONTINUED...

INSTALLING THE PIVOT ARM



- Connect the Pivot Arm (crDD) by placing one Plastic Pivot (crGG) on each side of the hole in the Pivot arm (crDD) then attach it to the Base Plate using a 3/8" x 3-1/2" Hex Bolt (crC), (2) Flat Washer (crB), and 3/8" Nylon Locknut (crC) as shown in Figure 3 & 3a.

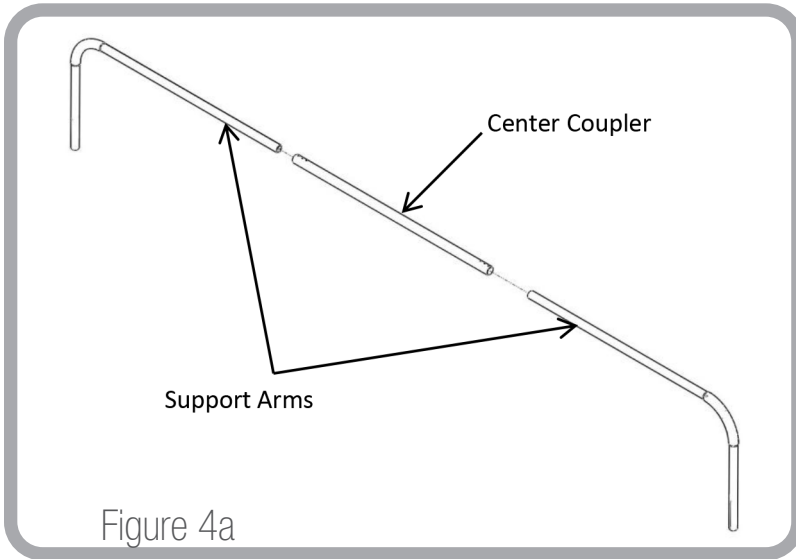
Note: Ensure the short side of the Pivot Arm (crDD) is facing the back of the spa where the cover will rest while open.



STEP 3A

INSTALLING THE SUPPORT ARM

Depending on the width of your spa this step will vary. Start by measuring the width of the spa.



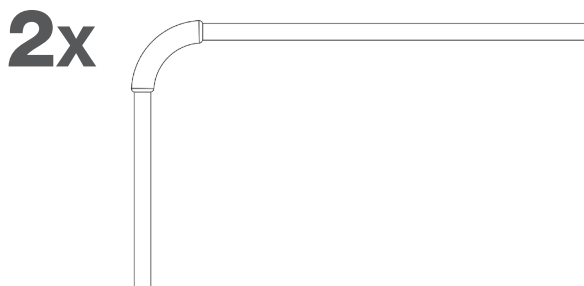
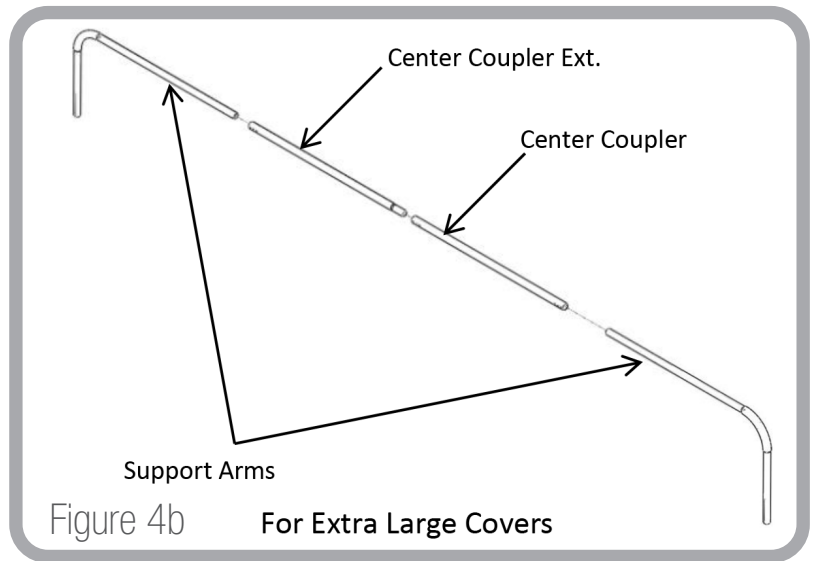
UNDER 6 FT

Insert the long arms of the Support Arms (crCC) into the ends of the Center Coupler (crAA) as shown in Figure 4A.

Note: For more narrow covers, flip the Support Arms (crCC) and insert the short side of the Support Arm (crCC) into the Center Coupler (crAA).

OVER 6 FT

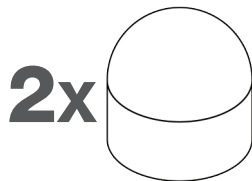
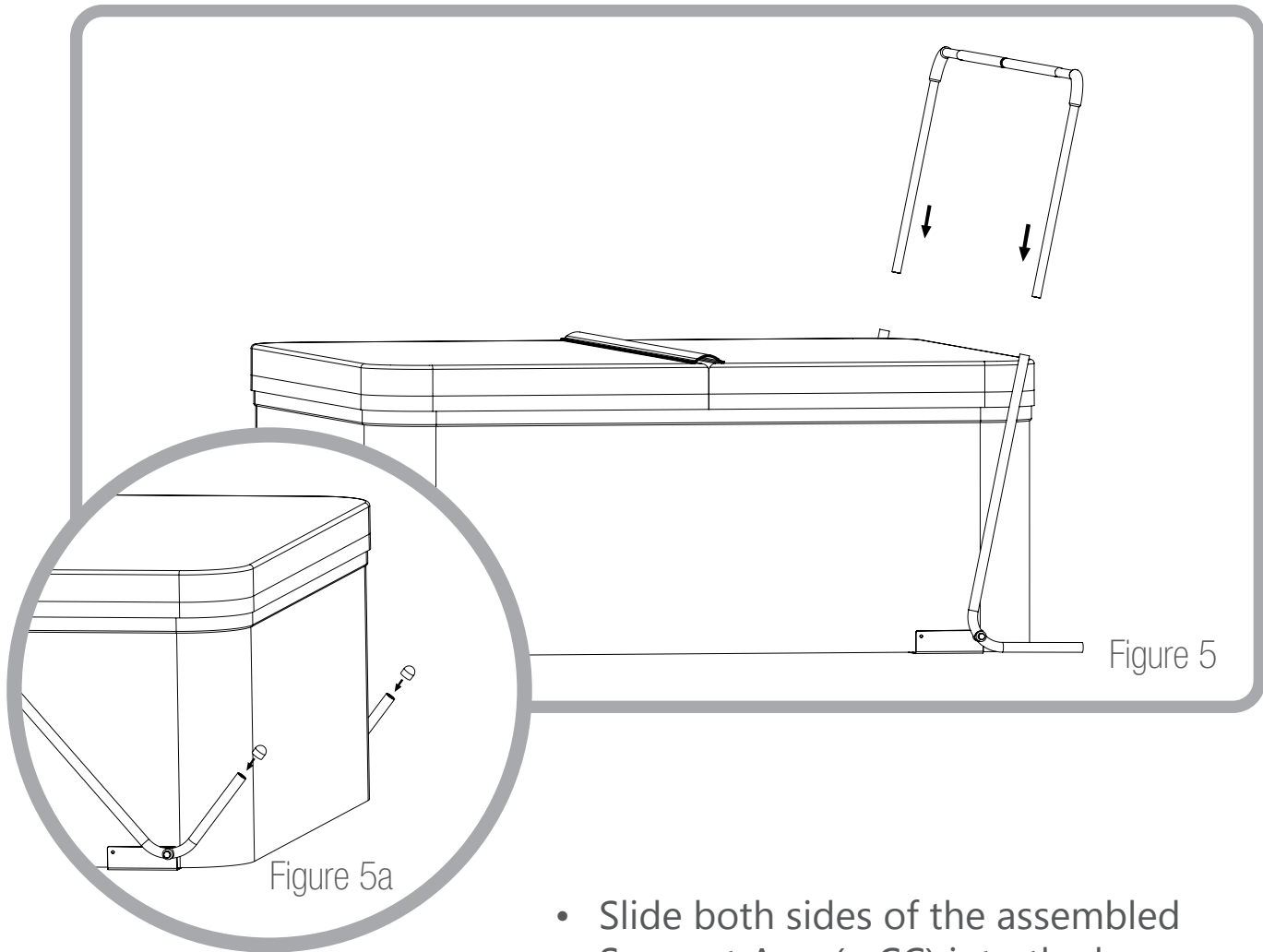
Join the small end of the Center Coupler Extension (crBB) into one end of the Center Coupler (crAA). Then insert the long arms of the Support Arms (crCC) into the ends of the Center Coupler Assembly. See Figure 4b.



STEP 3B

CONTINUED...

INSTALLING THE SUPPORT ARM

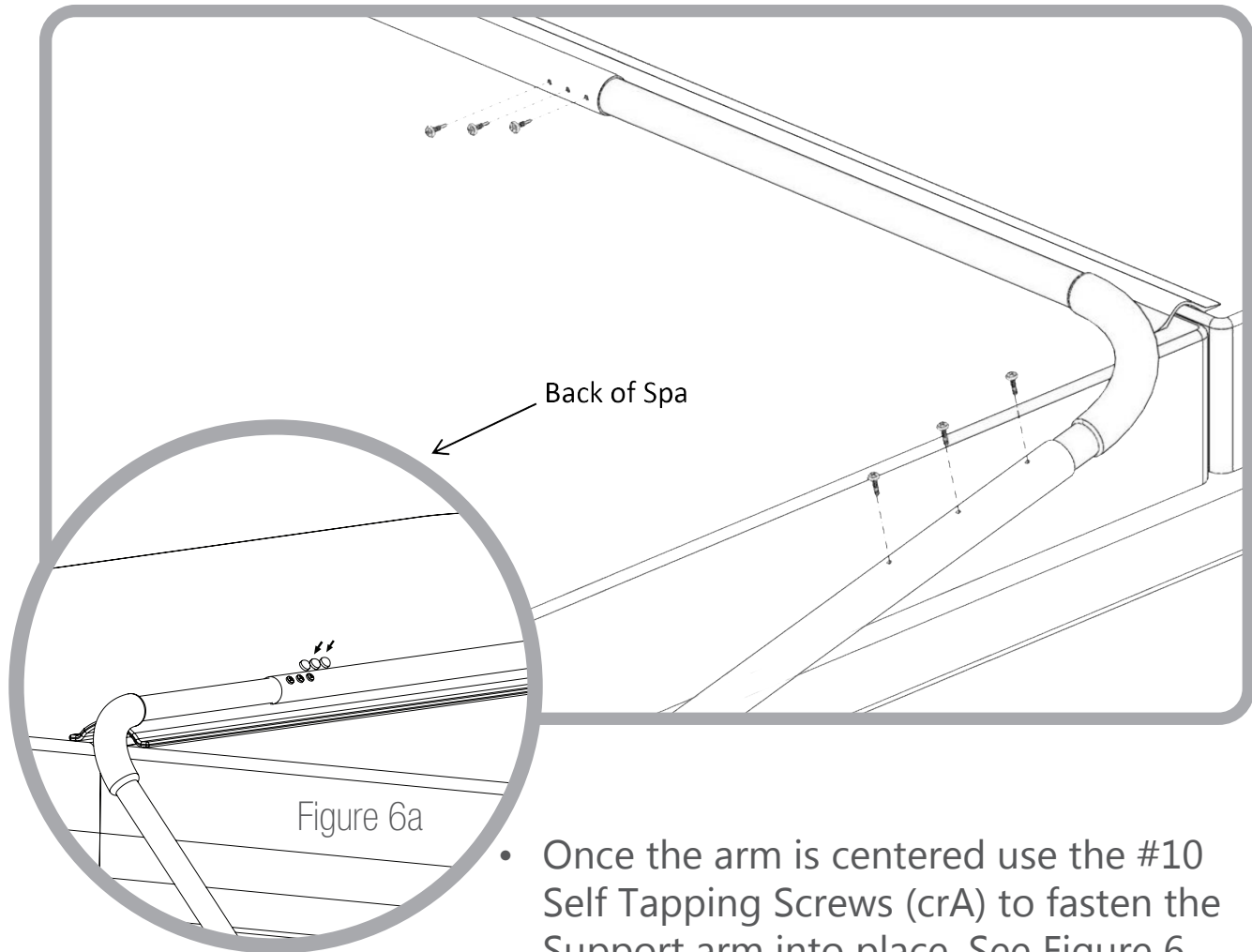


- Slide both sides of the assembled Support Arm (crCC) into the longer portion of the Pivot Arm (crDD).
- Lean the pivot arms forward so the center coupler(s) rest $\frac{1}{2}$ " short of the center seam. Do not allow the center coupler(s) rest directly on top of, or past the center seam.
- Put on the Protective Cap (crHP) on the short end of your Pivot Arms (crDD). See Figure 5a.

STEP 3C

CONTINUED...

INSTALLING THE SUPPORT ARM



15x 

15x 

- Once the arm is centered use the #10 Self Tapping Screws (crA) to fasten the Support arm into place. See Figure 6.
Note: Be sure to rotate the center couplers so that the inserted screws are horizontal, with the heads facing the back of the spa, where the cover will be stowed.
- Press the decorative Small Black Dome Caps (crHP) over the heads of all exposed #10 screws (crA and R-J).

PRO-TIP; Apply a small amount of glue/epoxy to the screw caps to keep them in place during normal weather-related expansion/contraction.

OPERATION INSTRUCTIONS

COVER ROCK-IT MAINTENANCE INSTRUCTIONS

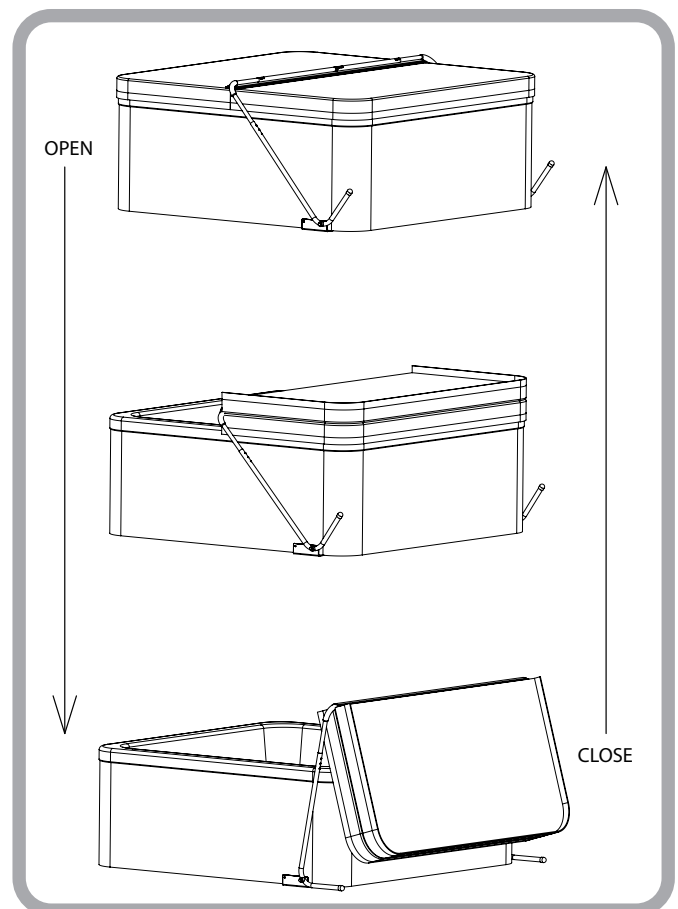
The Cover ROCK-IT was designed for a specific use. The Cover ROCK-IT is not designed to BEND, WARP, or to be ABUSE PROOF. **Do Not stand, sit, or lie on, or permit heavyweight to rest on the Cover ROCK-IT.** Do not clean with abrasives, solvents, or strong detergents. Most of the hardware has been Zinc coated for durability, but will deteriorate quicker when exposed to high levels of Chlorine, Bromine, Ozone, or other active chemicals. Check nuts and bolts often and tighten if necessary. Any parts showing evidence of wear should be replaced immediately. **Call 1-800-730-7727 or (001) (562) 283-0595** for any replacement or special order parts. Caution must be used when operating the Cover ROCK-IT in order to maintain its function and longevity. The maintenance and use instructions are provided to prevent damage to the Cover ROCK-IT. Damage caused by the failure to follow the maintenance and operation instructions will not be covered by the manufacturer's warranty.

How to OPEN your spa cover using the Cover ROCK-IT:

1. Fold spa cover onto itself.
2. Lift Cover ROCK-IT by holding on to the Support Arm (crCC) and lift spa cover to upright position by leaning the Pivot Arm (crDD) back till the spa cover behind the spa. The Pivot Arm will stop when it contacts the ground.

How to CLOSE your spa cover using the Cover ROCK-IT:

1. With the spa cover in the upright position, hold the on the Support Arm (crCC), and slowly guide the cover and Cover ROCK-IT onto the spa shell. NEVER allow the spa cover to fall onto the spa shell unassisted, as it can cause damage to your Cover ROCK-IT, spa, and/or spa cover!
2. Unfold the spa cover off itself and engage the spa cover locks if available.



CALIFORNIA HOME SPAS, INC.

COVER ROCK-IT 5-YEAR LIMITED WARRANTY

Any Cover Rock-It shown to be unserviceable due to defects in materials or workmanship within 5 years from the date of purchase will have any affected parts repaired or replaced at the option of California Home Spas, Inc., without charge for materials. This warranty excludes any associated labor and freight costs.

EXCLUSIONS:

- A. This warranty does not cover damage incurred by the use of the Cover ROCK-IT and/or the spa cover, other than in accordance with the printed literature provided by California Home Spas, INC.
- B. Defects in components of any part, which are not part of the Cover ROCK-IT
- C. Misuse, abuse, negligence, accident, or alterations other than authorized by California Home Spas, INC.
- D. Improper installation, normal fading and minor deterioration caused by exposure to the sun, rain, chemicals or environmental factors.
- E. Use of solvents, abrasive cleaners or brushes, and strong detergents.

Except as expressly provided, there shall be no additional Warranty obligation expressed or implied oral or statutory

ADDITIONS:

- A. California Home Spas, INC. shall not be liable for consequential damages or incidental expenses resulting from any breach of the before mentioned warranties.
- B. This warranty gives you specific legal rights and you may have other rights which can vary in different states and countries.
- C. Any dispute between the Buyer and California Home Spas, INC. pertaining to this warranty may, at the option of the Buyer, be resolved in the State of California, USA, in according to the rules of the American Arbitration Association.
- D. Should any one or more of the terms, provisions, covenants, or conditions of this warranty be determined void, invalid, illegal, or unlawful in any respect, then it shall be so, however it will not affect any of the other terms or provisions of this warranty and the remainder hereof shall still be in effect.

COVER VALET WARRANTY REGISTRATION FORM

Complete and return within (10) days. Please type or print clearly. Incomplete and/or unreadable forms may not be registered.

You can also register your warranty online at www.covervalet.com

Owners Name: _____

Address: _____

Phone Number: () _____

E-Mail Address: _____

Date of Purchase: _____ . Dealer's Name: _____

How did you hear about us?

1. Dealer _____ . 4. Home Show _____ . 7. Other _____ .

2. Showroom Display _____ . 5. Magazine _____ . 8. Internet (website) _____

3. Friend _____ . 6. T.V. _____ .

For more information, Please contact us at: Cover Valet Toll free: 1-800-730-7727

1621 East Spring Street.

International: (001) (562) 283-0595

Long Beach, CA. 90806 USA Visit us at: www.CoverValet.com E-mail: Questions@covervalet.com

