

Laing Thermotech Series E10 Plastics AC Electronically Commutated Spherical Motor Centrifugal Pumps



Applications

Specifically designed for the following uses:

- Water Circulation
- Chiller Systems
- Ozone Treatment
- Freshwater Aquarium Circulation

Specifications

Pump:

- Max Capacities: 11 GPM
- Max Head: 18'
- Pipe Connections:
 - ¾" and 1" Barb Suction and Discharge
 - ¾" MPT Suction and Discharge
- Maximum Working Pressure: 50 PSI
- Maximum Temperature: 140°F
- Rotation: counter clockwise when viewed from the motor end

Motor:

- Electronically Commutated Spherical Motor
- Canned Spherical Motor Type
- 115-230 Volt 60 Watts 50/60 Hz, 3500 RPM
- Automatic Overload Protection

Features

Compact Design:

Close coupled, space saving design provides easy installation.

Mounting:

Pump can be mounted horizontally or vertically with motor end down.

Motor Bracket:

Thermoplastic motor bracket is adjustable to 4 different discharge angles.

Construction:

Available in thermoplastic.

Ceramic Bearing Ball and Carbon Bearing Cap:

High density ceramic bearing ball and graphite impeller bearing cap designed for high efficiency and long life.

Impeller:

Highly efficient, clog resistant open impeller is dynamically balanced with carbon bearing for smooth ultra quiet operation.

Casing:

Casing is thermoplastic construction.

Mechanical Seal:

Unique patented design has no mechanical seal which is a potential leak path.

Motor:

Highly efficient and ultra quiet spherical motor design. Pump is designed for continuous operation. All ratings are within working limits of the motor.

Electronics:

Embedded microprocessor control is self-regulating and available with variable speed dial control (potentiometer) on the pump or as an optional PWM input for OEM.

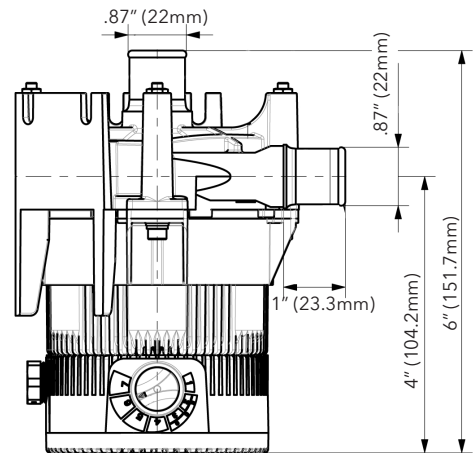
Weight:

Lightweight construction weighs 4lbs.

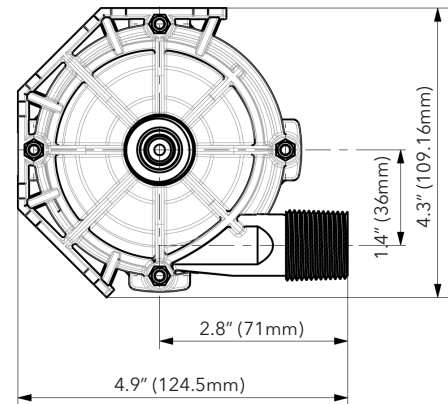
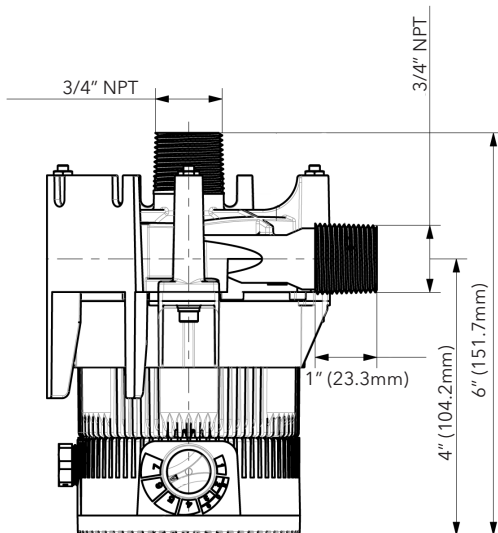
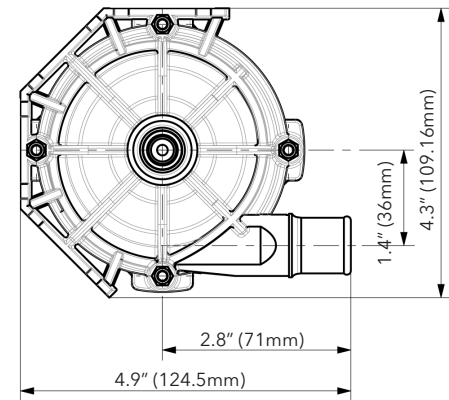
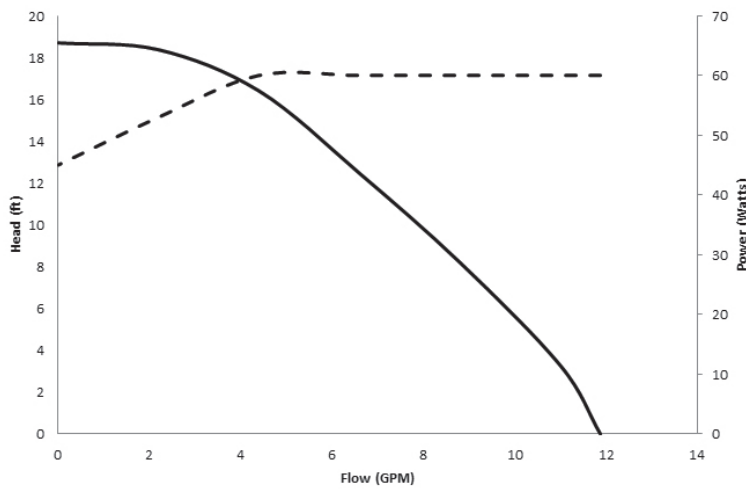
Laing Thermotech Series E10 Plastic Specifications

Materials of Construction (Wetted Parts)

Part	Materials
Pump Housing	Thermoplastic
"O" Ring	EPDM or Viton
Impeller	Fiber Reinforced Thermoplastic
Bearing	Carbon/Aluminum Ceramic
All Other Wetted Parts	316 Stainless Steel or Plastic



E10 Plastic 3/4" NPT



xylem
Let's Solve Water

Xylem Inc.
3878 S. Willow, Suite 104
Fresno, CA 93725
Tel: (559) 265-4730 (800) 554-6853
Fax: (559) 265-4740 (800) 453-7523
www.Laing-thermotech.com

Goulds is a registered trademark of Goulds Pumps, Inc. and is used under license.
© 2016 Xylem Inc. SS-17R2 June 2016