

WESTPORT 8' SLATE POOL TABLE ASSEMBLY INSTRUCTIONS



NG2690A

THANK YOU!


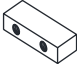
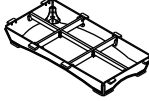





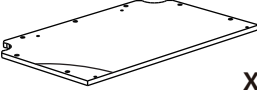
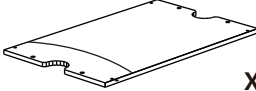
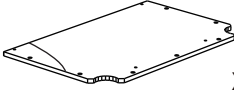

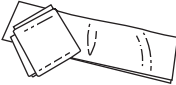


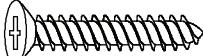
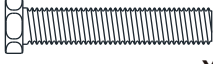



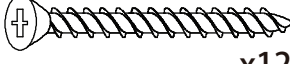
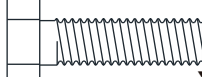

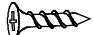
Thank you for purchasing this product.

We work around the clock and around the globe to ensure that our products maintain the highest possible quality. However, in the rare instance that your product is defective or missing parts, contact your retailer, or call 800-759-0977, to submit parts requests or warranty claims. Please read the warranty information at the back of these assembly instructions for further details.

IMPORTANT! PLEASE READ THESE ASSEMBLY INSTRUCTIONS IN ENTIRETY BEFORE ASSEMBLING YOUR PRODUCT.

After reading the assembly instructions, if you don't feel comfortable doing the assembly yourself, you can search local listings for a professional Pool Table Installer in your area.

PARTS IDENTIFIER (NOT TO SCALE)

<p>1 NGP6064</p>  <p>x4</p> <p>Leg with Leg Leveler</p>	<p>2 NGP6051</p>  <p>x8</p> <p>Slate Anchor Block</p>	<p>3 NGP6065</p>  <p>x1</p> <p>Cabinet</p>	<p>4 NGP6066</p>  <p>x2</p> <p>Top Rail Left Side</p>
<p>5 NGP6067</p>  <p>x2</p> <p>Top Rail Right Side</p>	<p>6 NGP6068</p>  <p>x2</p> <p>Top Rail End</p>	<p>7 NGP6069</p>  <p>x2</p> <p>Side Pocket</p>	<p>8 NGP6070</p>  <p>x4</p> <p>Corner Pocket</p>
<p>9 NGP6058</p>  <p>x1</p> <p>Slate (Left)</p>	<p>10 NGP6059</p>  <p>x1</p> <p>Slate (Center)</p>	<p>11 NGP6060</p>  <p>x1</p> <p>Slate (Right)</p>	<p>12 NGP6071</p>  <p>x1</p> <p>Play Surface Cloth</p>
<p>13 NGP6072</p>  <p>x6</p> <p>Rail Cloth</p>	<p>H1 NGP6063*</p>  <p>x4</p> <p>Hex Bolt 3/8" x 2-1/2" (Leg Bolt)</p>	<p>H2 NGP6063*</p>  <p>x4</p> <p>Washer 3/8" ID x 1-1/4" OD (Leg Washer)</p>	<p>H3 NGP6063*</p>  <p>x8</p> <p>Flat Head Screw #8 x 1" (Leg Anchor Screw)</p>
<p>H4 NGP6063*</p>  <p>x16</p> <p>Hex Bolt 5/16" x 2" (Slate Anchor Block Bolt)</p>	<p>H5 NGP6063*</p>  <p>x16</p> <p>Washer 5/16" ID x 7/8" OD (Slate Anchor Block Washer)</p>	<p>H6 NGP6063*</p>  <p>x18</p> <p>Hex Bolt 3/8" x 2-1/2" (Rail Bolt)</p>	<p>H7 NGP6063*</p>  <p>x18</p> <p>Dome Washer 3/8" ID x 1-1/4" OD (Rail Washer)</p>
<p>H8 NGP6063*</p>  <p>x12</p> <p>Flat Head Screw #10 x 2-1/4" (Slate Screw)</p>	<p>H9 NGP6063*</p>  <p>x12</p> <p>Hex Bolt 5/16" x 1" (Pocket Bolt)</p>	<p>H10 NGP6063*</p>  <p>x12</p> <p>Washer 5/16" ID x 7/8" OD (Pocket Washer)</p>	<p>H11 NGP6063*</p>  <p>x35</p> <p>Flat Head Screw #6 x 7/16" (Pocket Strap Screw)</p>

*Items included in Hardware Pack, NGP6063

5/14

ASSEMBLY TIPS

1. Find a clean, level surface to begin the assembly of your game table. We recommend that two adults work together to assemble this game. You may want to carefully cut or tear the four corners of the box so that the bottom of the box can be used as your work surface.
2. Remove all of the contents from box and verify that you have all of the parts shown on the Parts Identifier before you begin assembly. **Note: Some parts may be pre-installed or pre-assembled.**
3. Some figures or drawings may not look exactly like your product. Please read and understand the text before beginning each assembly step.
4. **When installing parts that have more than one screw or bolt, hand tighten all screws or bolts in place before final tightening with screwdriver or wrench.**
5. Electric screwdrivers may be helpful during assembly; however, please set a **low torque** and use extreme caution because screws may be stripped or overtightened, resulting in damaged parts, if the electric screwdriver's torque is set too high.

WARNINGS!

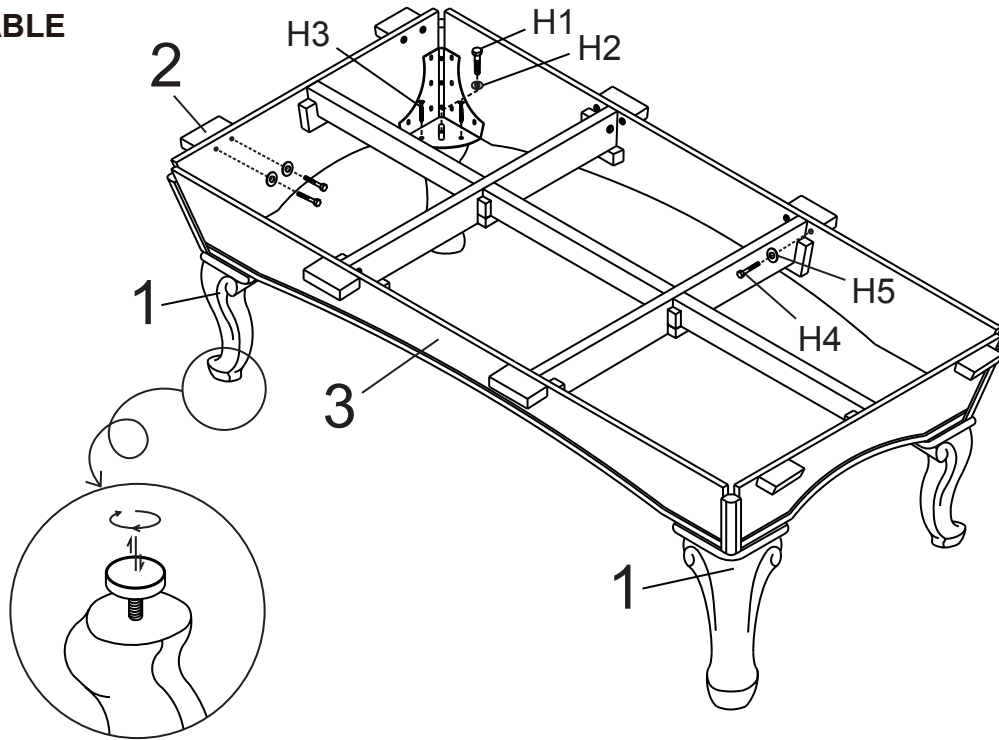
READ AND FOLLOW ALL ASSEMBLY, OPERATION AND SAFETY INSTRUCTIONS CAREFULLY.

**CHOKER HAZARD - THIS TABLE CONTAINS SMALL BALLS AND PARTS
NOT SUITABLE FOR CHILDREN UNDER 3 YEARS OF AGE.**

ASSEMBLY INSTRUCTIONS

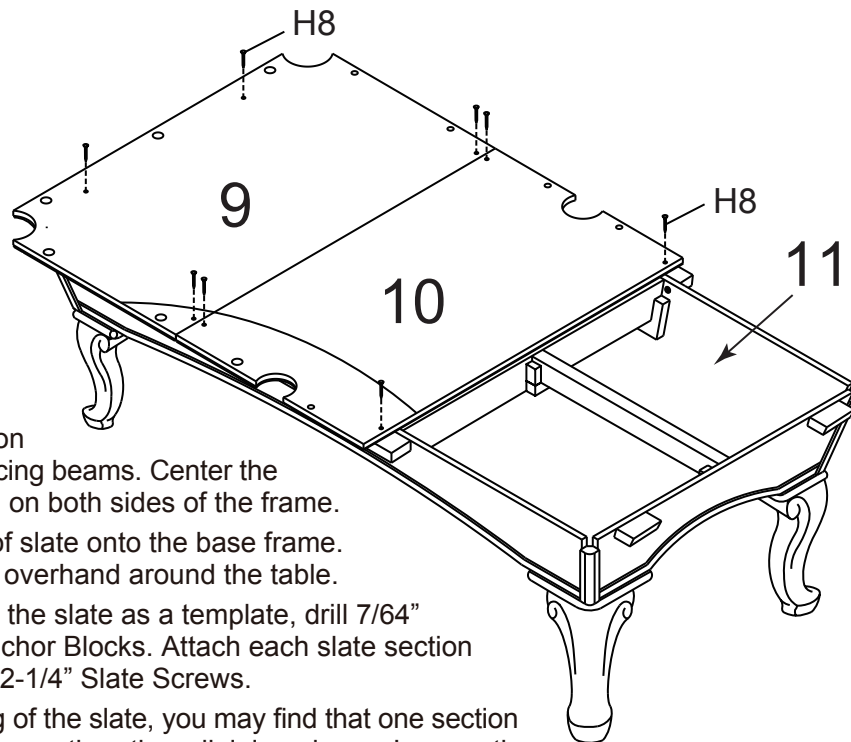
ASSEMBLING TABLE

FIG. 1



1. After attaching Legs and Slate Anchor Blocks as shown, position the table into its permanent location.
2. With a precision level, locate the highest corner of the frame cabinet, and level the table with the Leg Levelers.

FIG. 2



3. Position the Center Slate section evenly between the two cross bracing beams. Center the slate section with equal overhang on both sides of the frame.
4. Position the two end sections of slate onto the base frame. Re-check to insure there is equal overhand around the table.
5. Using the counter sink holes in the slate as a template, drill 7/64" pilot holes down into the Slate Anchor Blocks. Attach each slate section to the frame using the (12) #10 x 2-1/4" Slate Screws.
6. As you begin the final tightening of the slate, you may find that one section of the slate sits slightly higher or lower than the adjoining pieces. Loosen the screws in the lower section and slip a playing card or piece of paper between the slate and the liner to allow for adjustment. Some installers will use wood wedges between the slate and slate liner for these adjustments.
7. Use the level to check that the playing surface is level. After the slates have been leveled and secured, it will be necessary to fill all slate screw holes and seams with a flexible filler such as beeswax. DO NOT use paraffin or plaster of paris. Scrape with a razor blade or sand until surface is smooth.

ASSEMBLY INSTRUCTIONS (CONT.)

ATTACHING CLOTH TO TABLE

FIG. 3

Before covering the table, it is important to first clean the table thoroughly.

8. Lay the bed cloth over the top of the slate, nap side up. Leave an equal amount of cloth overhang at the end and sides of the slate.

NOTE: To determine the direction of the nap, run your hand lightly over the surface of the cloth. If it meets resistance, it is going AGAINST the nap.

9. Adjust the cloth to leave only enough cloth overhang at the head end and left side to permit stapling into the side of the wood slate frame.

10. Staple the cloth to one end of the wood slate liner. Walk to the opposite end of the table: firmly grab the center of the cloth, pulling it tight, and staple it to the wood slate liner. Repeat this process on each side of the table. (Note: Do not worry about the pocket cutouts during the initial cloth stretching process.)

11. With the bed cloth tight and free of wrinkles, you can now concentrate on the pocket cutouts. Make five cuts in the cloth as shown in *Diagram #1*. Pull each tab down through the slate pocket cutout and staple the cloth to the wood slate liner. You should be able to pull all wrinkles around the pocket areas out at this time.

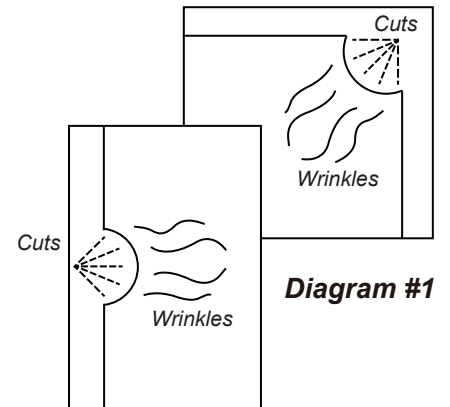
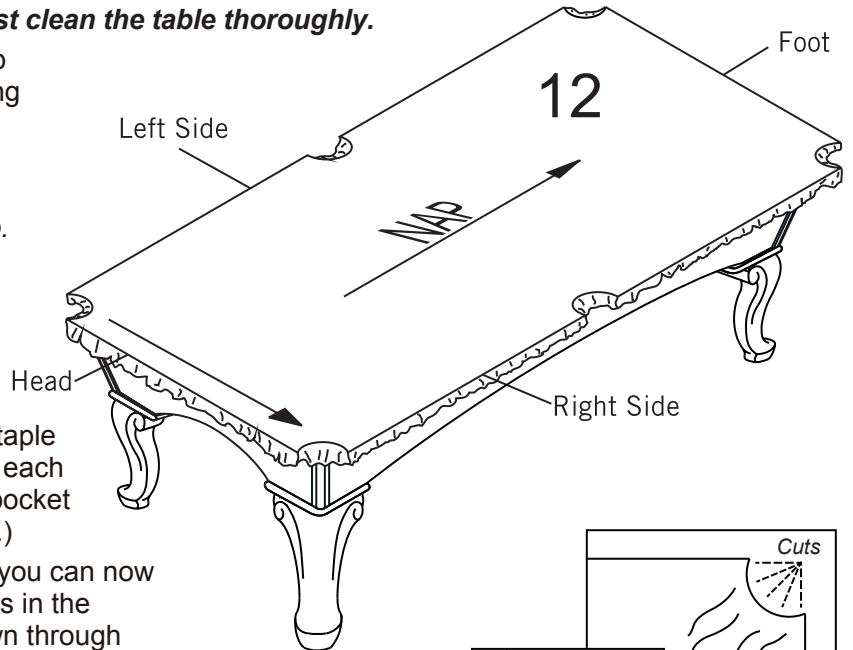
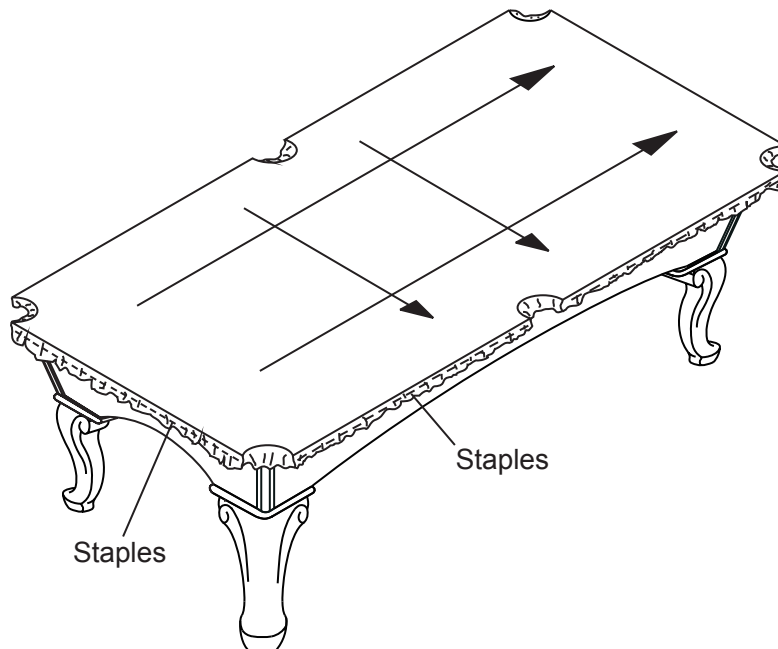


FIG. 4



ASSEMBLY INSTRUCTIONS (CONT.)

ATTACHING CLOTH TO TABLE

FIG. 5

12. Trim off excess cloth around the perimeter of the table. Locate the eighteen (18) rail attach holes and cut clearance holes in the cloth with a sharp knife.

NOTE: Occasionally the cloth will stretch, leaving wrinkles at the pockets. To re-tighten, remove apron, one end rail and one side rail. Pull cloth taut, and re-tack or re-staple along the open end and side to restore original tightness.

Cut holes in cloth at rail both locations.

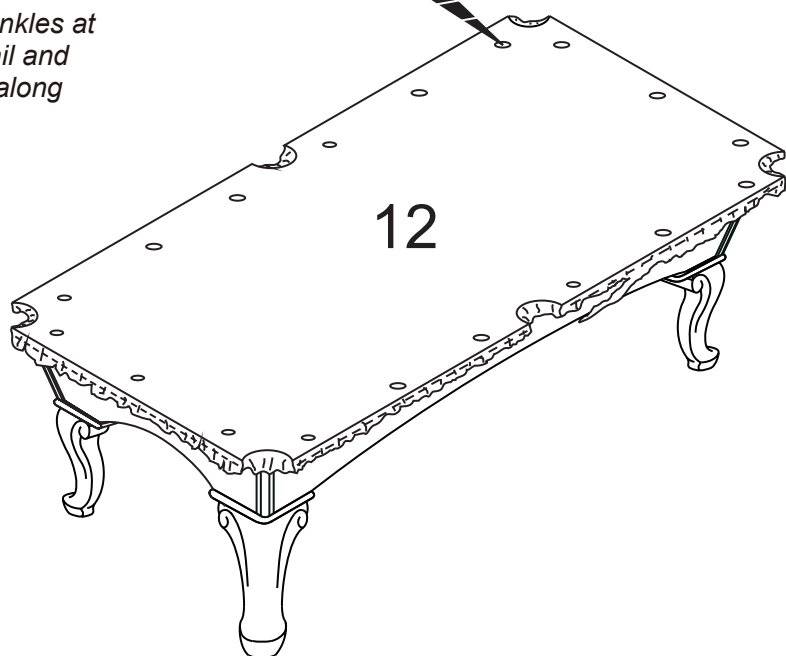
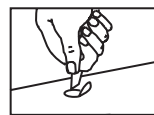
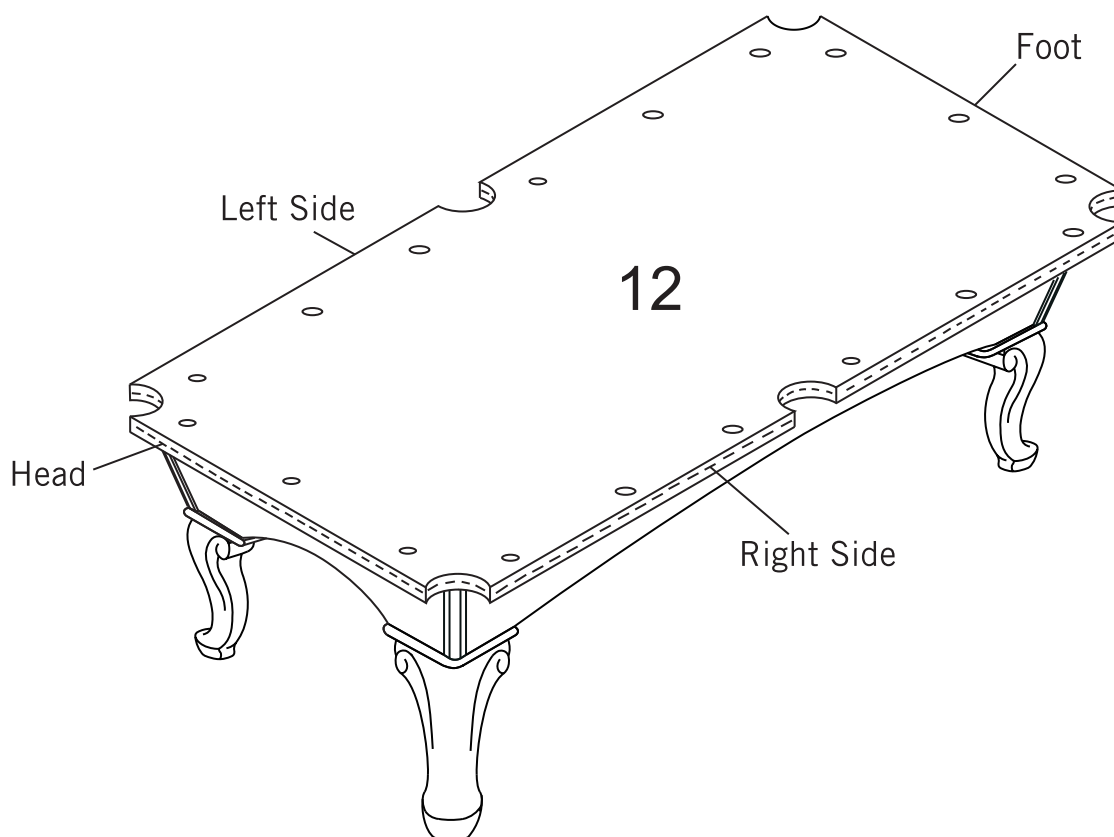


FIG. 6



ASSEMBLY INSTRUCTIONS (CONT.)

ATTACHING CLOTH TO RAILS

Corner Pockets:

1. Place rail cloth piece over rail with "face" side down. The cloth should have an equal over-hang at each end of the rail and extend approximately 1/2" over the featherstrip groove on the cushion side (Figure 1).

2. Starting at the center of the rail, tap the featherstrip down to within 1/16" above the rear side of the featherstrip (Figure 1) using a wood block and hammer.

3. Stretching the cloth tightly from the center toward the ends, tap the feather strip down to 1/16" while maintaining the half inch over-hang to within approximately 3" from ends of the featherstrip.

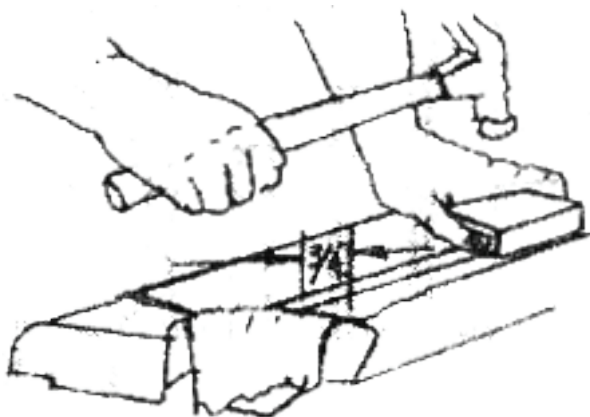
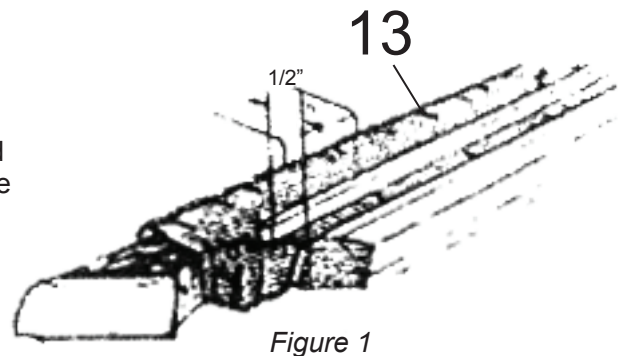


Figure 2

4. At each end of the featherstrip pull the cloth toward rubber cushion an additional 1/2" toward the cushion then tap the featherstrip down (Figure 2).

5. Trim the cloth on the cushion side of the featherstrip along the entire length of the featherstrip with a sharp knife as shown in Figure 3.

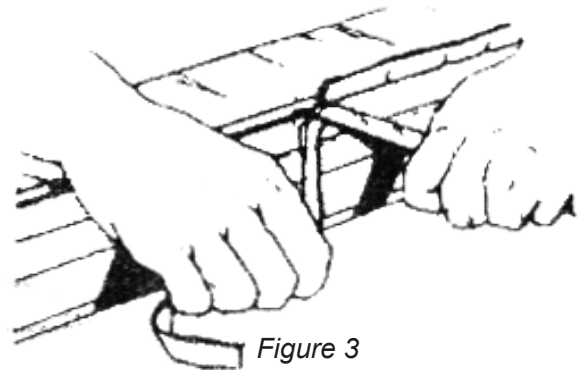


Figure 3

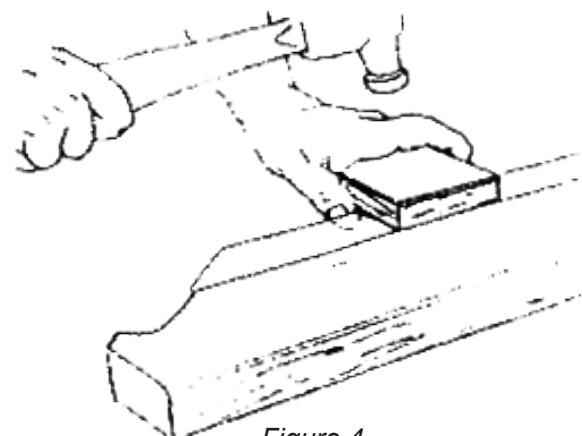


Figure 4

6. Tap the entire length of the featherstrip flush with the top of rail at the rear side of the featherstrip (Figure 4). Never try to tap the feather strip flush with just a hammer as you will dent the rail surface behind the featherstrip.

ASSEMBLY INSTRUCTIONS (CONT.)

ATTACHING CLOTH TO RAILS

Corner Pockets (Cont.):

7. Turn the rail over and at the corner pockets fold the cloth over the mitered edge as shown in Figure 5, stretching the cloth tightly and working out the wrinkles as you staple in the area shown in Figure 5.

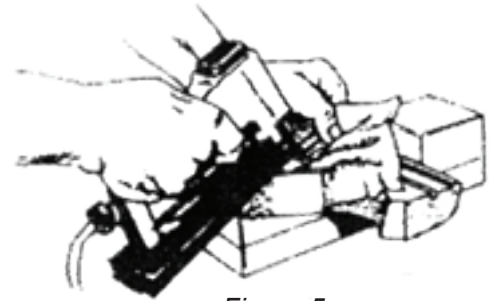


Figure 5

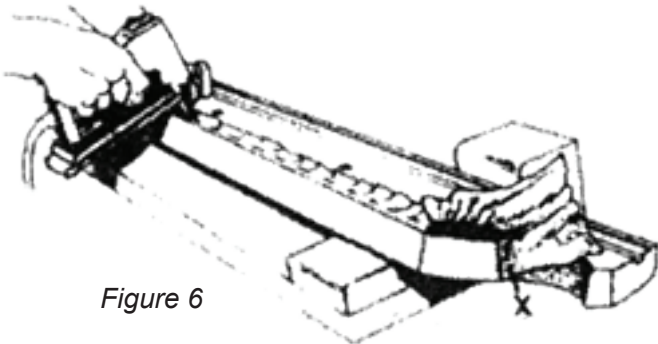


Figure 6

8. Pulling the cloth tightly over the rear edge of the pocket facing, staple three places at Figure 6, location X.

9. If the rail is an end rail repeat step 8 at the other end of the rail. Then starting at the center of the rail stretch the cloth tightly over the cushion and staple at the center on the bottom of the rail - working toward each end (Figure 6).

10. Trim any excess cloth from the bottom of the rail (Figure 7).

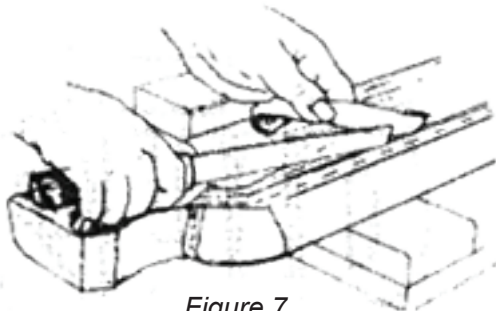
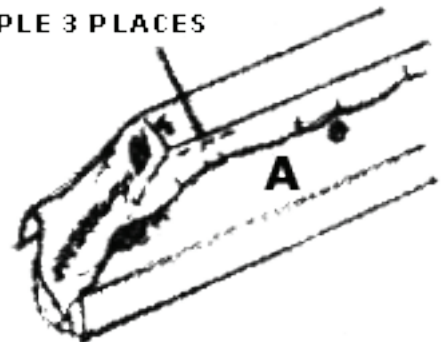


Figure 7

STAPLE 3 PLACES



Side Pockets:

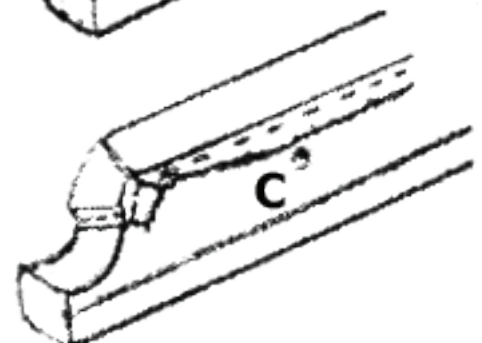
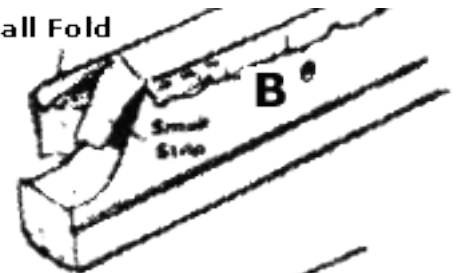
11. At the side pocket, stretch the cloth tightly over the nose of the cushion and staple in three places as shown in Figure A.

12. Slit the cloth up to the edge of the cushion nose as shown in Figure B, then firmly pull the small strip to the rear of the pad.

13. Hold the small fold in place with your thumb and forefinger and firmly fold it down over the facing. Now staple at the rear of the facing and at the bottom of the rail as shown in Figure C.

14. Trim excess cloth as required.

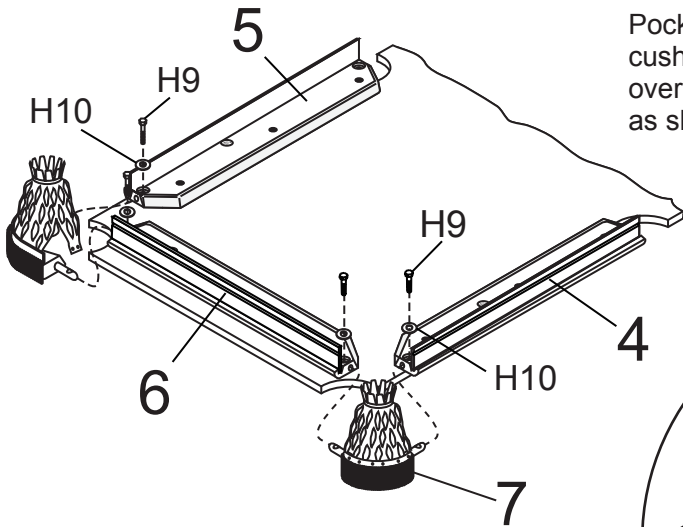
Small Fold



ASSEMBLY INSTRUCTIONS (CONT.)

ATTACHING POCKETS & RAILS

FIG. 7



Pockets and Rails are assemble upside down with cushions facing in. Once assembled, turn rail assembly over and secure to slate using Rail Bolts and Washers as shown in Figure 9 below. *Do NOT tighten yet.*

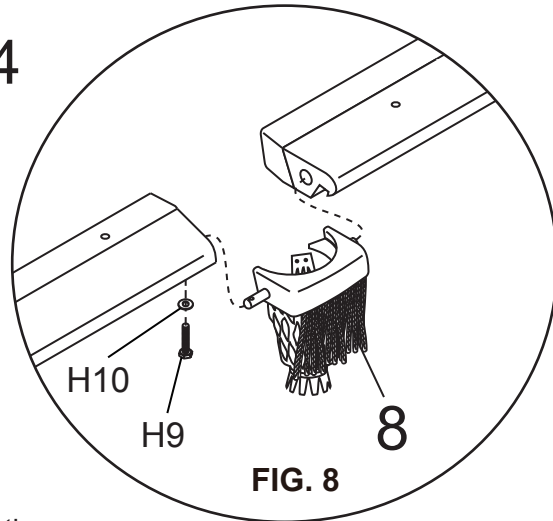
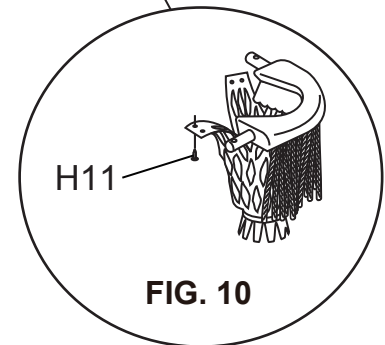
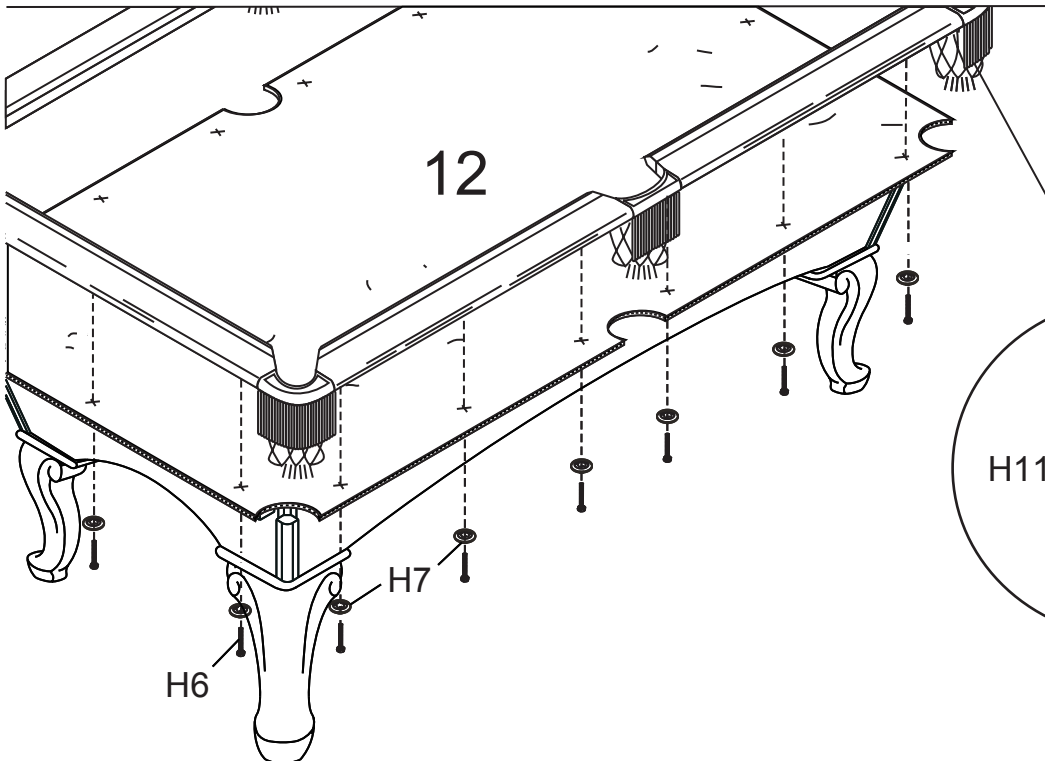


FIG. 9

Make sure the Rails are perfectly square and they are centered on the frame, then tighten all of the Rail Bolts.



CONGRATULATIONS!

You have now assembled your Pool Table.
Please note the Care and Use instructions below to ensure years of trouble free use of your game table.

CARE AND USE

1. This product is intended for **INDOOR** use only.
2. Do **NOT** sit, climb or lean on the table.
3. Do **NOT** drag the table when moving it as this will damage the legs
4. Do **NOT** attempt to move the table once it is assembled. To properly move the table and avoid damage, it must be disassembled first.

LIMITED LIFETIME WARRANTY

This warranty applies to the original purchaser (Owner) of the pool table and covers defective materials and workmanship for the life of the table.

This warranty is nontransferable and is expressly limited to the repair or replacement of the defective product. During the warranty period, the manufacturer shall repair or replace defective parts at no cost to the purchaser. Shipping charges and insurance are not covered and are the responsibility of the purchaser. Labor charges and related expenses for removal, installation or replacement of the product or components are not covered under this warranty.

This warranty does not apply if the pool table is transferred from the original purchaser. It does not cover table leveling. This warranty does not provided for a replacement table or "loaner" during any period of repair. It does not apply to damage due to normal wear and tear, fire, flood or any other natural event or calamity. This Warranty does not cover cloth, rubber, or pockets. This Warranty does not cover damage resulting from negligence or abuse. Negligent and abusive damage including a failure to care for the table pursuant to maintenance instructions or a failure to provide a proper environment for the table will void the warranty. Improper or incorrectly performed maintenance or repairs by an unauthorized installer voids this warranty.

This warranty does not cover defects or damage due to improper installation, alteration, accident or any other event beyond the control of the manufacturer. This warranty does not cover scratching or damage that may result from normal usage.

This product is not intended for institutional or commercial use; the manufacturer does not assume any liability for such use. Institutional or commercial use will void this warranty.

The manufacturer reserves the right to make substitutions to warranty claims if parts are unavailable or obsolete.

The manufacturer shall not be liable for loss of use of the product or other consequential or incidental costs, expenses or damages incurred by the consumer of any other use. The user assumes all risk of injury resulting from the use of this product. The manufacturer will not be liable for direct, consequential, incidental or special damages (including without limitation loss of business or profits or economic loss) or for punitive, statutory, or exemplary damages, resulting from or in any manner relating to the table, the use of the table. The sole and exclusive coverage is to the original Owner for repairs, corrections or replacement of components, at the discretion of the manufacturer.

This warranty is expressly in lieu of all other warranties, expressed or implied, including warranties of merchantability or fitness for use to the extent permitted by Federal or state law. Neither the manufacturer nor any of its representatives assumes any other liability in connection with this product.

Some states do not allow the exclusion or limitation of incidental or consequential damages, so the above limitation or exclusion may not apply to you. This warranty gives you specific legal rights, and you may also have other rights which vary from state to state.

In order to be eligible for service under this warranty you must return the warranty registration card below within 90 days of purchase. All warranty claims must be made through the retailer where the product was originally purchased. A purchase receipt or other proof of date of purchase will be required to process all warranty claims. The model number and part numbers found within the assembly instructions will be required when submitting any parts requests or warranty claims.

For further warranty information or inquiries, please call 800-759-0977

*To send in this warranty card,
fill out below, detach and mail
to the following address:*

**BLUE WAVE PRODUCTS
1745 Wallace Ave. Suite B
St. Charles, IL 60174**

Detach Here

Detach Here

SLATE POOL TABLE WARRANTY REGISTRATION FORM

Date Purchased: ____/____/____

Name: _____

Address: _____

City/State/Zip: _____

Phone: () _____ Email: _____

Purchased from: _____

Item Number: _____ Purchase Price: _____