

Pool Breakdown

Riviera 12'x24' Oval 54"

NB12936

<p><u>FEATURES:</u> Oval Size: 12'x24' Depth: 54" 30 Year Warranty</p>	<p><u>STRUCTURE COMPOSITION:</u> Resin Top Rail Resin Seat Covers Steel Uprights Steel Sidewall</p>
---	--

	Qty	Carton #	Carton Content Description
<input type="checkbox"/>	1	241254-8RV-DB-2	TOP SEAT; VERTICAL; WARRANTY; SAFETY DECALS; PARTS LIST+FRAME INSTRUCTION; SAFETY BOOKLET
<input type="checkbox"/>	1	2412-5/8RAIL-2-RR	5/8" RAIL
<input type="checkbox"/>	1	2412-8PR-DB-3	UPPER JOINT; LOWER JOINT; SEAT COVER; SEAT COVER BRACKET; SIDE SEAT COVER; SIDE UPPER JOINT; 5/8 IN SIDE LOWER JOINT; SEAT COVER ASSEMBLY BOLT PKG
<input type="checkbox"/>	1	2412-BL08-DB-A	HORIZONTAL SUPPORT; PRESSURE PLATE; BRACELESS OVAL FRAME BOLT PACKAGE; STRAP BOLT PACKAGE; BRACELESS OVAL POOL INSTRUCTIONS
<input type="checkbox"/>	1	241254-BL08-DB-B	SIDE VERTICAL; SIDE VERTICAL SKIN; END STRAP; MIDDLE STRAP
<input type="checkbox"/>	1	241254-ISD-W	PLASTIC EDGING; TRUSS HEAD SCREW; REINFORCING WASHER; NUT; WALL

Carton Breakdown

Riviera 12'x24' Oval 54"

NB12936

Key #	Qty	Item #	Mfg Part #	Part Description	
FRAME CARTON # 241254-8RV-DB-2					
<input type="checkbox"/>	1	10	NBP1220	2385DB	8in Vertical (54" High)
<input type="checkbox"/>	6	16	NBP1234	1102DB	8in Resin Top Seat L=1132mm (44-5/8")
<input type="checkbox"/>	---	1	-----	0022	Warranty
<input type="checkbox"/>	---	1	-----	0023	Safety Decals
<input type="checkbox"/>	---	1	-----	0024	Parts List + Frame Instruction
<input type="checkbox"/>	---	1	-----	0025	Safety Booklet
RAIL CARTON # 2412-5/8RAIL-2-RR					
<input type="checkbox"/>	4	32	NBP1230	1312-R	5/8in Rail L=1130mm (44-1/2") 12ft Radius
FRAME CARTON # 2412-8PR-DB-3					
<input type="checkbox"/>	2	10	NBP1061	2176	7in Resin Joint - Upper
<input type="checkbox"/>	7	10	NBP1222	2483DB	8in Seat Cover Bracket
<input type="checkbox"/>	8	10	NBP1223	2482DB	8in Seat Cover
<input type="checkbox"/>	10	10	NBP1062	2276	7in Resin Joint - Lower
<input type="checkbox"/>	13	6	NBP1231	3474DB	8in Side Seat Cover
<input type="checkbox"/>	15	6	NBP1070	3234	5/8in Side Lower Rail Joint
<input type="checkbox"/>	18	6	NBP1004	3177	Resin Side Upper Joint
Seat Cover Assembly Bolt Package (Order # NBP1203)					
<input type="checkbox"/>	3	120	NBP1203	0341*	#12 Sheet Metal Screw
<input type="checkbox"/>	3	48	NBP1203	0345*	5mm x 40mm Sheet Metal Screw
<input type="checkbox"/>	3	16	NBP1224	2402DB	Resin Seat Cover Cap

*These part #'s are not available to purchase separately. They must be purchased as the Seat Cover Assembly Bolt Package, Order # NBP1203

Carton Breakdown

Riviera 12'x24' Oval 54"

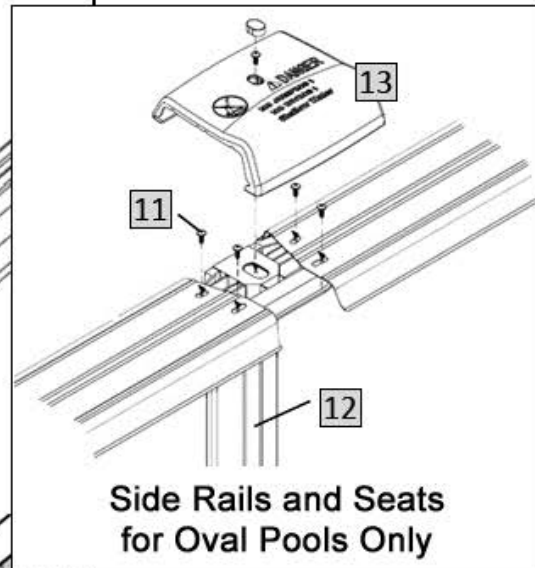
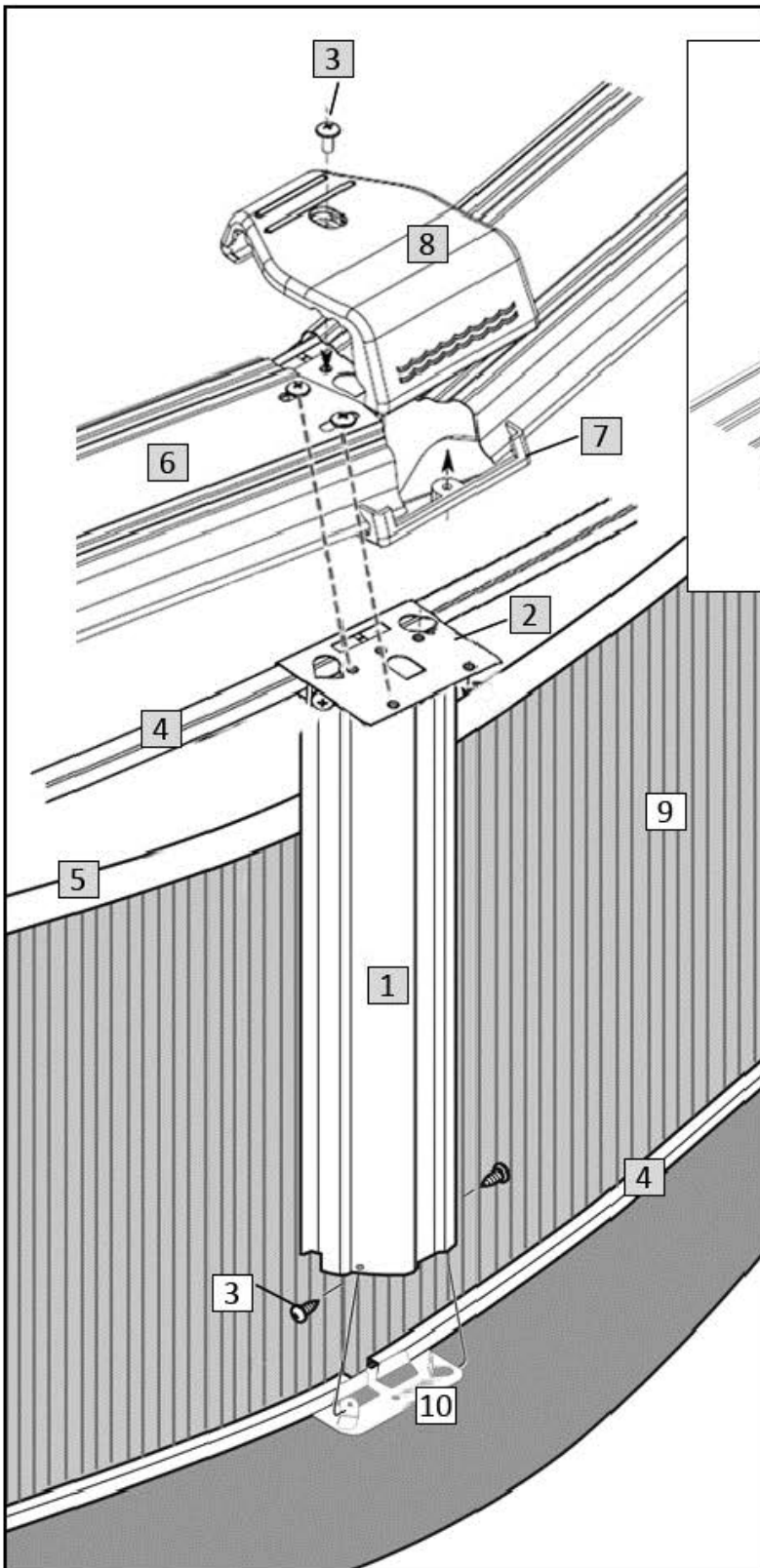
NB12936

Key #	Qty	Item #	Mfg Part #	Part Description	
CARTON # 2412-BL08-DB-A					
<input type="checkbox"/>	14	6	NBP1208	5726	Horizontal Support
<input type="checkbox"/>	17	18	NBP1011	6254	Pressure Plate L=680mm (26-3/4")
<input type="checkbox"/>	---	1	-----	-----	Braceless Oval Pool Instructions
Braceless Oval Frame Bolt Package (Part # 0109 / Order # NBP1204) QTY 3					
<input type="checkbox"/>	11	10	NBP1204	0341*	#12 Sheet Metal Screw
<input type="checkbox"/>	11	24	NBP1204	5672*	M14 Nut
<input type="checkbox"/>	11	24	NBP1204	5673*	M14 x 30 Hex Head Bolt
<input type="checkbox"/>	11	8	NBP1204	5674*	M10 x 100 Hex Head Bolt
<input type="checkbox"/>	11	24	NBP1204	5675*	M10 Nut
Strap Bolt Package (Part # 0105 / Order # NBP1001) QTY 3					
<input type="checkbox"/>	11	22	NBP1001	0623*	M8 Nut
<input type="checkbox"/>	11	22	NBP1001	0923*	M8 x 20 Hex Head Bolt
CARTON # 241254-BL08-DB-B					
<input type="checkbox"/>	12	6	NBP1205	5713	Side Vertical for BLE 54"
<input type="checkbox"/>	12	6	NBP1232	5617DB	Side Vertical Skin for 54"
<input type="checkbox"/>	16	6	NBP1207	7528	End Strap L=1400mm (55-1/8")
<input type="checkbox"/>	16	3	NBP1014	7254	Middle Strap L=835mm (32-7/8")
WALL CARTON # 241254-ISD-W					
<input type="checkbox"/>	5	15	NL107	8100	Plastic Edging
<input type="checkbox"/>	9	1	PC5618	54" Wall	Steel Dark Brown Wall
54" Wall Joint Bolt Package (Part # 0114 / Order # NBP1067)					
<input type="checkbox"/>	3	27	NBP1067	0513*	1/4" x 1/2" Truss Head Screw
<input type="checkbox"/>	3	53	NBP1067	0411*	1/4" Reinforcing Washer
<input type="checkbox"/>	3	27	NBP1067	0611*	1/4" Nut

*These part #'s are not available to purchase separately. They must be purchased as part of the corresponding Bolt Package.

Riviera 12'x24' Oval 54"

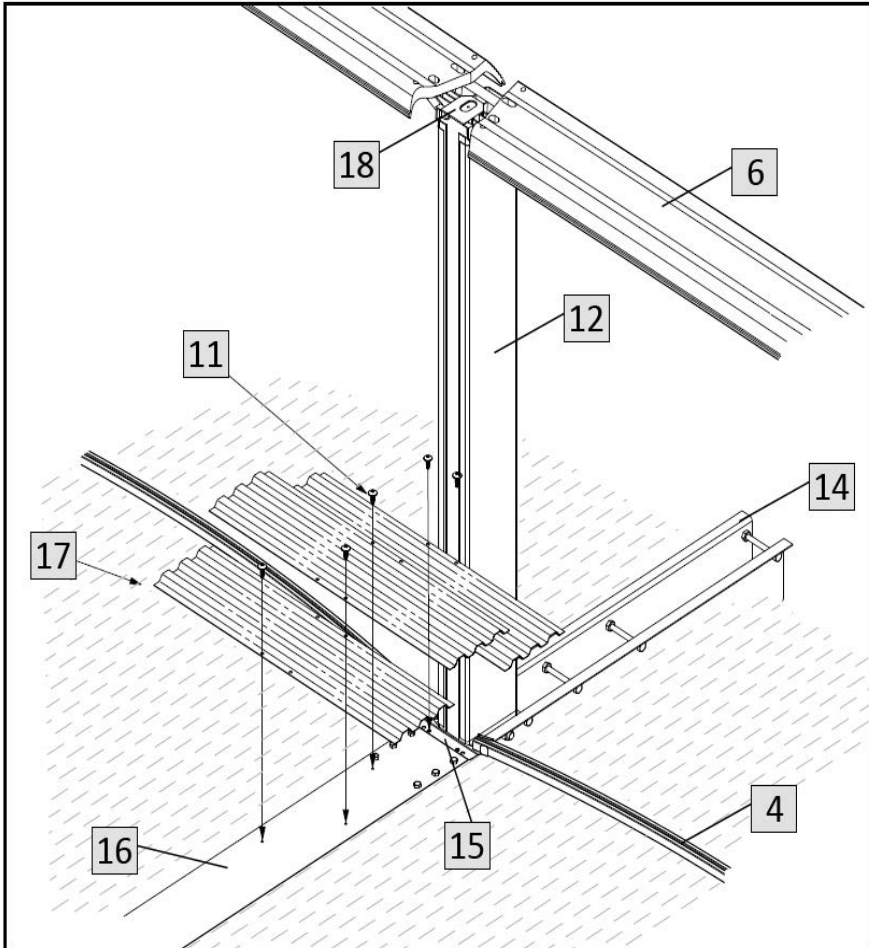
NB12936



Key #	Part Description	Item #
1	8in Vertical	NBP1220
2	7in Resin Upper Joint	NBP1061
3	Seat Cover Hardware	NBP1203
3	Wall Joint Hardware	NBP1067
4	5/8" Rail	NBP1230
5	Plastic Edging	NL107
6	8in Resin Top Seat	NBP1234
7	8in Seat Cover Brckt.	NBP1222
8	8in Seat Cover	NBP1223
9	Wall	PC5618
10	7in Resin Lower Joint	NBP1062
11	Braceless Oval Frame Bolt Hardware	NBP1204
12	Side Vertical	NBP1205
12	Side Vertical Skin	NBP1232
13	8in Side Seat Cover	NBP1231

Riviera 12'x24' Oval 54"

NB12936



Key #	Part Description	Item #
4	5/8 in Rail	NBP1230
6	8in Resin Top Seat	NBP1234
11	Braceless Oval Frame Bolt Hardware	NBP1204
11	Strap Bolt Hardware	NBP1001
12	Side Vertical	NBP1205
12	Side Vertical Skin	NBP1232
14	Horizontal Support	NBP1208
15	Side Lower Rail Joint	NBP1070
16	Middle Strap	NBP1014
16	End Strap	NBP1207
17	Pressure Plate	NBP1011
18	Resin Side Upper Joint	NBP1004