



SKU# NE9881, NE9882

FLOWXTREME™ PRO VS II VARIABLE SPEED POOL PUMPS FOR ABOVE/IN-GROUND POOLS



Questions, problems, missing parts?

Before returning to your retailer, call our Consumer Hotline at 1-800-759-0977,
Monday – Friday. 8am – 5pm (CST)

TABLE OF CONTENTS

THANK YOU!	3
SAFETY INFORMATION	3
SAFETY INSTRUCTIONS & WARNING	3
GENERAL INSTALLATION INSTRUCTIONS	7
ELECTRICAL & WIRING INSTRUCTIONS	9
START-UP & OPERATIONS	11
PROGRAMMING VARIABLE TIME & SPEED OPERATIONS	13
MAINTENANCE, STORAGE & WINTERIZATION.....	16
TECHNICAL DATA FOR FX PRO VS II ABOVE-GROUND & IN-GROUND PUMPS	17
TROUBLESHOOTING FOR FX PRO VS II PUMPS	20
POOL PUMP TROUBLESHOOTING GUIDELINES	21
WARRANTY INFORMATION	24

THANK YOU!

Thank you for purchasing this product. You have purchased a high quality replacement pump from Blue Wave. All pumps covered in this manual have full-rated motors and have been manufactured and tested to offer many years of trouble-free service. We work around the clock and around the globe to ensure that our products maintain the highest possible quality. However, in the rare case of issues during assembly or use of this product, please contact our **Consumer Hotline at 800-759-0977** for immediate assistance before contacting your retailer. Please read the warranty information at the back of these assembly instructions for further details.

SAFETY INFORMATION

Please read this entire manual before attempting to assemble, operate or install the product. Save this instruction manual for future use. This manual contains important information regarding the safe use, operation, and installation of this pump. The use of unauthorized replacement parts voids the warranty.

NOTICE To prevent serious injury and to avoid unnecessary service calls, read this manual carefully and completely.

1. SAFETY INSTRUCTIONS & WARNINGS

WARNING

To reduce risk of injury, do not permit children to use or climb on this product. Closely supervise children at all times. Components such as the filtration system, pumps, and heaters must be positioned to prevent children from using them as a means of access to the pool.

CAUTION

This pump is intended for use on permanently installed in-ground or above-ground swimming pools and may also be used with hot tubs and spas if so marked. Do **NOT** use with storable pools. A permanently installed pool is constructed in- or on-the-ground or in a building such that it cannot be readily disassembled for storage. A storable pool is constructed so that it is capable of being readily disassembled for storage and reassembled to its original integrity. Though this product is designed for outdoor use, it is strongly advised to protect the electrical components from the weather. Select a well-drained area, one that will not flood when it rains. It requires free circulation of air for cooling. Do not install in a damp or unventilated location. If installed within an outer enclosure or beneath the skirt of a hot tub or spa, adequate ventilation and free circulation of air must be provided to prevent overheating of the motor.

1. SAFETY INSTRUCTIONS (CONTINUED)

 **WARNING**

Some pump components have a finite life. All components should be inspected frequently and replaced if found to be worn, damaged, broken, cracked, or missing.

 **WARNING**

Risk of Electric Shock.

Hazardous voltage. Can shock, burn, or cause death. To reduce the risk of electric shock, do NOT use an extension cord to connect unit to electric supply. Provide a properly located outlet. It is required that licensed electricians do all electrical wiring. All electrical wiring MUST be in conformance with applicable local and national codes and regulations. Before working on pump or motor, disconnect motor wiring.

 **WARNING**

Do NOT bury cord. Place the cord on the ground so it can avoid abuse from lawn mowers, hedge trimmers and other equipment.

 **WARNING**

Connect only to a grounding type receptacle protected by a Ground Fault Circuit Interrupter (GFCI). Contact a licensed electrician if you cannot verify that the receptacle is protected by a GFCI.

 **WARNING**

Failure to bond pump to pool structure will increase risk for electrocution and could result in injury or death. To reduce the risk of electric shock, see installation instructions and consult a professional electrician on how to bond pump.

Also, contact a licensed electrician for information on local electrical codes for bonding requirements. Use a solid copper conductor, size 8 or larger. Run a continuous wire from external bonding lug to reinforcing rod or mesh. Connect a No. 8 AWG (8.4 mm²) solid copper bonding wire to the pressure wire connector provided on the motor housing and to all metal parts of swimming pool, spa, or hot tub, and to all electrical equipment, metal piping (except gas piping), and conduit within 5 ft. (1.5m) of inside walls of swimming pool, spa, or hot tub.

IMPORTANT - Reference NEC codes for all wiring standards including, but not limited to, grounding, bonding, and other general wiring procedures.

NOTE - The National Electrical Code (NEC) permits use of a cord with a maximum 3 ft. (1 m) length. If your pump is equipped with a cord complying with the NEC, the preceding four (4) hazards apply.

 **WARNING**

Failure to install according to defined instructions may result in severe personal injury or death.

 **WARNING**

Use of unauthorized replacement parts voids warranty.

1. SAFETY INSTRUCTIONS (CONTINUED)

WARNING

Suction Entrapment Hazard. Entrapment in suction outlets and/or suction outlet covers, which are damaged, broken, cracked, missing, or unsecured can cause severe injury and/or death due to the following entrapment hazards:

Hair Entrapment- Hair can become entangled in suction outlet cover.

Limb Entrapment- A limb inserted into an opening of a suction outlet sump or suction outlet cover that is damaged, broken, cracked, missing, or not securely attached can result in a limb becoming entrapped.

Body Suction Entrapment- Pressure applied to a large portion of the body or limbs can result in an entrapment.

Mechanical Entrapment- There is potential for jewelry, swimsuits, hair decorations, fingers, toes, or knuckles to be caught in an opening of a suction outlet cover resulting in mechanical entrapment.

WARNING

Reduce the risk of Entrapment Hazards:

- When outlets are small enough to be blocked by a person, a minimum of two functioning suction outlets per pump must be installed. Suction outlets in the same plane (i.e. floor or wall), must be installed a minimum of three feet (3') [0.91 meter] apart, as measured from near point to near point.
- Dual suction fittings shall be placed in such locations and distances to avoid "dual blockage" by a user.
- Dual suction fittings shall not be located on seating areas or on the backrest for such seating areas.
- The maximum system flow rate shall not exceed the values shown in the "Pipe Sizing Chart" found at the bottom of page 7 of this manual.
- Never use pool if any suction outlet component is damaged, broken, cracked, missing, or not securely attached.
- Replace damaged, broken, cracked, missing, or not securely attached suction outlet components immediately.
- In addition to two or more suction outlets per pump installed in accordance with latest IAF (formerly NSPI) standards and CPSC guidelines, follow all national, state, and local codes applicable.
- Installation of a vacuum release or vent system, which relieves entrapping suction, is recommended.

WARNING

Fire and burn hazard.

Motors operate at high temperatures and if they are not properly isolated from any flammable structures or foreign debris they can cause fires, which may cause severe personal injury or death. It is also necessary to allow the motor to cool for at least 20 minutes prior to maintenance to minimize the risk for burns.

1. SAFETY INSTRUCTIONS (CONTINUED)



WARNING

Hazardous Pressure.

Pool water circulation systems operate under hazardous pressure during start-up, normal operation, and after pump shut-off. Stand clear of circulation system equipment during pump start-up. Failure to follow safety and operation instructions could result in violent separation of the pump housing and cover due to pressure in the system, which could cause property damage, severe personal injury, or death. Before servicing the pool water circulation system, all system and pump controls must be in the off position. The filter manual air relief valve must be in the open position if it is part of the filtration system. Before starting system pump, all system valves must be set in a position to allow system water to return back to the pool. Do not change filter control valve position while system pump is running. Before starting system pump, fully open filter manual air relief valve. Do not close filter manual air relief valve until a steady stream of water (not air or air and water) is discharged. All suction and discharge valves **MUST** be **OPEN** when starting the circulation system. Failure to do so could result in severe personal injury and/or property damage.



WARNING

Separation Hazard.

Failure to follow safety and operation instructions could result in violent separation of pump components. Strainer cover must be properly secured to pump housing with strainer cover lock ring. Before servicing the pool and spa circulation system, all system and pump controls must be in the off position and the filter manual air relief valve must be in the open position. Do not operate pool circulation system if a system component is not assembled properly, damaged, or missing. Do not operate pool circulation system unless filter air relief valve body is in closed position. All suction and discharge valves **MUST** be **OPEN** when starting the circulation system. Failure to do so could result in severe personal injury and/or property damage.



WARNING

NEVER operate or test the circulation system at more than **40 PSI**.

2. GENERAL INSTALLATION INSTRUCTIONS



WARNING

This product should be installed and serviced by a qualified professional only.

PUMP LOCATION

Place pump as close to pool as practical and run suction lines as direct as possible to reduce friction loss. Suction lines should have continuous slope upward from lowest point in line. Joints must be tight (but not over-tightened). Suction line diameter must equal or be larger than the discharge line diameter. Though the pump is designed for outdoor use, it is strongly advised to protect the electrical components from the weather. Select a well-drained area, one that will not flood when it rains.

Do NOT install pump in a damp or non-ventilated location. Keep motor clean.

PUMP MOUNTING

Install pump on a firm, level base or pad to meet all local and national codes. Fasten pump to base or pad with screws or bolts to further reduce vibration and stress on pipe or hose joints. The base **MUST** be solid, level, rigid, and vibration free.

Pump installation should:

- Allow pump inlet height to be as close to water level as possible for in-ground pump installations.
- Allow use of short, direct intake pipe or hose (to reduce friction losses).
- Allow for gate valves in intake and discharge pipes for in-ground pump installations.
- Be protected from excess moisture and flooding.
- Allow adequate access for servicing pump and plumbing.
- Installation of union fittings in front of the pump intake and between the pump outlet and tank is highly recommended for use with in-ground pools.

PIPE SIZING CHART

Maximum Recommended System Flow Rate by Pipe Size for NE9881		Maximum Recommended System Flow Rate by Pipe Size for NE9882	
Pipe Size	Flow Rate	Pipe Size	Flow Rate
[mm]	GPM[Liters/Min]	[mm]	GPM[Liters/Min]
1-1/4"	48	2"	81
[40]	[180]	[63]	[308]
2"	81		
[63]	[307]		

NOTICE

It is recommended that a minimum length of piping, equivalent to 10 pipe diameters, be used between the pump suction inlet and any plumbing fittings.

2. GENERAL INSTALLATION INSTRUCTIONS



WARNING

Hazardous Pressure.

Pumps, filters, and other equipment/components of a swimming pool filtration system operate under pressure. Incorrectly installed and/or improperly tested filtration equipment and/or components may fail resulting in injury and/or property damage.

PLUMBING

Use “Teflon” tape, available at any plumbing or hardware store, to seal threaded connections on molded plastic components. All plastic fittings must be new or thoroughly cleaned before use.

NOTE - Do NOT use Plumber’s Pipe Dope as it may cause cracking of the plastic components.

When applying “Teflon” tape to plastic threads, wrap the entire threaded portion of the male fitting with one to two layers of tape. Wind the tape clockwise as you face the open end of the fitting, beginning at the end of the fitting. The pump suction and outlet ports have molded-in thread stops.

Do NOT attempt to force hose connector fitting past this stop. It is only necessary to tighten fittings enough to prevent leakage. Tighten fitting by hand and then use a tool to engage fitting an additional 1 ½ turns. Use care when using Teflon tape as friction is reduced considerably; **Do NOT over-tighten fitting or you may cause damage.** If leaks occur, remove fitting, clean off old Teflon tape, re-wrap with one to two additional layers of Teflon tape, and re-install fitting. See the Trouble Shooting section for additional solutions.

FITTINGS

Different pumps come with different types and sizes of hoses or plumbing fittings. Review the Technical Sections in this Owners / Installation manual to ensure you have the correct fitting before starting installation. If your new pump is replacing an older pump it may be necessary to find specialized plumbing fitting to make the plumbing connections. Check with your local pool professional store or a well-equipped hardware store to find what you need. **Fittings restrict flow.** For better efficiency, use the fewest possible fittings (but at least two suction outlets). Avoid fittings that could cause an air trap. Pool fittings MUST conform to the International Association of Plumbing and Mechanical Officials (IAPMO) standards. Use a non-entrapping suction fitting in pool (multiple drains) or double suction (skimmer and main drain).

3. ELECTRICAL & WIRING

WARNING

Ground and bond the motor before connecting to an electrical power supply. Failure to ground and bond pump motor can cause a serious or fatal electrical shock. **See section below for Grounding and Bonding instructions.**

WARNING

Do **NOT** ground to a gas supply line.

WARNING

To avoid dangerous or fatal electrical shock, turn **OFF** power to motor before working on electrical connections.

WARNING

Ground Fault Circuit Interrupter (GFCI) tripping indicates electrical problem. If GFCI trips and won't reset, consult electrician to inspect and repair electrical system.

WARNING

Fire Hazard.

Match supply voltage to motor nameplate voltage.

Ensure that the electrical supply available agrees with the motor's voltage, phase, and cycle, and that the wire size is adequate for the H.P. (KW) rating and distance from the power source. **NOTE - All electrical wiring MUST be performed by a licensed electrician, and MUST conform to local codes and NEC regulations.** Use copper conductors only.

VOLTAGE

Voltage at motor **MUST NOT** be more than 10% above or below motor name plate rated voltage, or motor may overheat, causing overload tripping and reduced component life. If voltage is less than 90% or more than 110% of rated voltage when motor is running at full load, consult Power Company.

Grounding and Bonding

Install, ground, bond, and wire motor in accordance with local or national electrical code requirements.

Permanently ground motor. Use green ground terminal provided under motor canopy or access plate; use size and type wire required by code. Connect motor ground terminal to electrical service ground. Bond motor to pool structure. Bonding will connect all metal parts within and around the pool with a continuous wire.

Bonding reduces the risk of a current passing between bonded metal objects, which could potentially cause electrical shock if grounded or shorted. **Reference NEC codes for all wiring standards including, but not limited to, grounding, bonding, and general wiring procedures.**

Use a solid copper conductor, size 8 or larger. Run wire from external bonding lug to reinforcing rod or mesh. Connect a No. 8 AWG (8.4 mm²) solid copper bonding wire to the pressure wire connector provided on the motor housing and to all metal parts of swimming pool, and to all electrical equipment, metal piping (except gas piping), and conduit within 5 ft. (1.5 m) of inside walls of swimming pool, spa, or hot tub.

3. ELECTRICAL & WIRING

EXTERNAL WIRING



WARNING

All wiring must be done by a licensed electrician.

See specific wiring instructions in the Technical Data sections for each pump covered by this manual.

Above Ground FX PRO VS II pump has pre-attached power cords with 3 prong grounded plugs. If local electrical codes call for power cords with twist lock plugs, please check with your local professional pool store or online for availability.



WARNING

NEVER open the motor housing to make changes to the factory installed external power cord. If you attempt to do so it will void your warranty. If the cord on the pump you purchased is not compatible with your local electrical or building cords, you must return it to your retailer and purchase a different style pump.

FX PRO VS II In-Ground Pumps **MUST** be permanently connected to an appropriate electrical circuit. If other lights or appliances are also on the same circuit, be sure to add their amp loads before calculating wire and circuit breaker sizes. Use the load circuit breaker as the Master On-Off switch. Always Install a Ground Fault Circuit Interrupter (GFCI) in circuit; it will sense a short circuit to ground and disconnect power before it becomes dangerous to pool users. For size of GFCI required and test procedures for GFCI, see manufacturer's instructions. In case of a power outage, check GFCI for tripping, which will prevent normal pump operation. Reset if necessary.

NOTICE

If you do not use conduit when wiring motor, be sure to seal wire opening on the back end of the motor to prevent dirt, bugs, etc., from entering

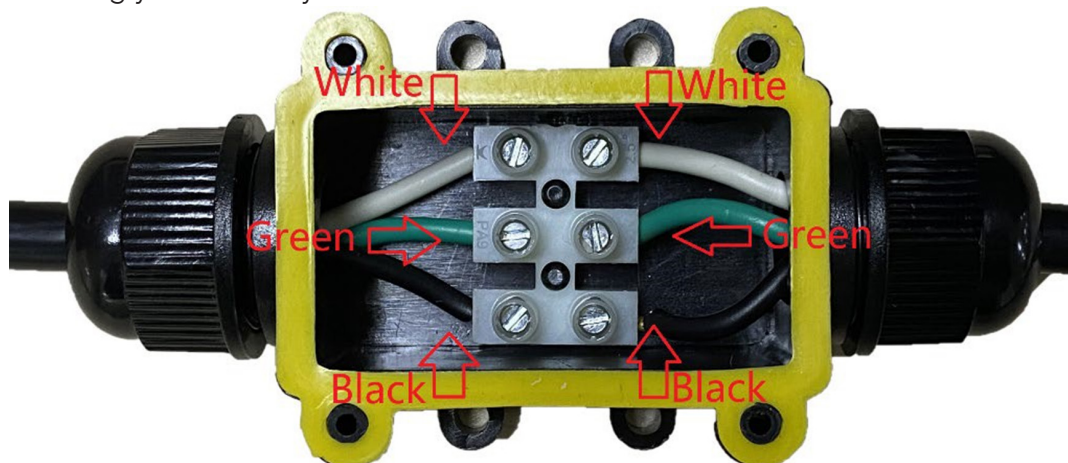
NOTICE

Model # NE9881, 115V pump comes with a 3-ft, 3 prong grounded power cord attached. Never use an extension cord to connect a pump with a pre-wired cord to the circuit. You must bring a permanent outlet with GFCI protection to the location of the pump.

WIRING DIAGRAMS FOR NE9882, 230V PUMP

NOTICE

Never disconnect or change locations of any factory installed wires. This will result in voiding your warranty.



3. ELECTRICAL & WIRING



4. START-UP & OPERATIONS

PRIOR TO START-UP

NOTICE

If it is necessary to perform a pressure test, prior to initial use to ensure pump is functioning properly, then the following criteria should be maintained for this test:

1. Have a professional perform this test.
2. Ensure all pump and system components are sealed properly to prevent leaks.
3. Remove any trapped air in the system by fully opening filter manual air relief valve until a steady stream of water is discharged.
4. Allow no more than 40 psi (276 kPa) at a water temperature no higher than 100°F(38°C).
5. Run pressure test for no longer than 24 hours. Immediately inspect all parts to verify they are intact and functioning properly. Fill strainer housing with water to suction pipe level. **NEVER OPERATE THE PUMP WITHOUT WATER.** Water acts as a coolant and lubricant for the mechanical shaft seal.



WARNING

If pump is being pressure tested (40 PSI MAXIMUM), be sure pressure has been released before removing strainer cover.

4. START-UP & OPERATIONS

CAUTION

NEVER run the pump dry. Running it dry may damage seals, cause leakage or flooding, and it voids the warranty. Fill the strainer housing with water before starting the motor.

ATTENTION

Do **NOT** add chemicals to pool system through the skimmer (if pool is so equipped) or directly in front of pump suction. Adding undiluted chemicals may damage pump and voids the warranty.

ATTENTION

Before removing strainer cover:

1. **STOP PUMP** before proceeding.
2. **CLOSE VALVES** in intake and outlet pipes if part of the pump installation.
3. **RELEASE ALL PRESSURE** from pump and piping system using filter manual air relief valve. **See filter owner's manual for more detail.**

PRIMING PUMP

CAUTION

All suction and discharge valves **MUST** be **OPEN**, as well as filter air relief valve (if available) on filter, when starting the circulating pump system. Failure to do so could result in severe injury.

- Release all pressure from filter, pump, and piping system. **See filter owner's manual.**
- If the water source is higher than the pump, as is normal with above-ground installation, pump will prime itself when suction and outlet valves are opened.
- If the water source is lower than the pump, as is normal with in-ground installation, unscrew and remove strainer cover; fill strainer housing with water.
- Clean and lubricate strainer cover O-ring with high quality O-ring lubricant each time it is removed.
- Inspect O-ring and re-install on strainer cover if damaged.
- Replace strainer cover on strainer housing; turn clockwise to tighten cover.
- **NOTE - Tighten strainer cover by hand only (no wrenches).**

PRIMING PUMP (CONTINUED)

Now, turn on power and wait for pump to prime, which may take up to five (5) minutes. Priming time will depend on vertical length of suction lift and horizontal length of suction pipe. If pump does NOT prime within five minutes, stop motor and determine cause. Be sure all suction and discharge valves are open when pump is running. See Troubleshooting Guide.

ATTENTION

Wait five (5) seconds before re-starting pump.

Failure to do so may cause reverse rotation of motor and consequent serious pump damage.

Close filter manual air relief valve after pump is primed.

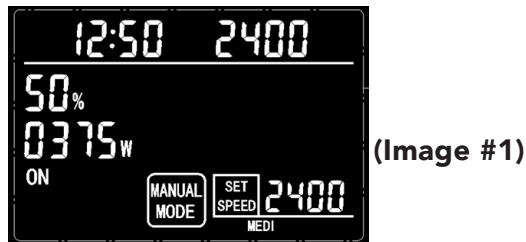
5. PROGRAMMING VARIABLE TIME & SPEED OPERATIONS

Follow the programming steps in this section **carefully**. Take your time so you complete the programming successfully the first time. It is helpful to have a second person to read the programming steps from the manual as you enter the values with the operation buttons.

A. Operating modes:

These pumps have two operation modes: Manual and Automatic. You can switch back and forth for your preferred operating mode. To switch between modes, press the "UP" and "DOWN" buttons at the same time.

1.0) MANUAL OPERATING MODE:



(Image #1)

*In Manual Mode, the pump runs at the constant speed set by the user. (See Image #1)

1.1) Manual mode has four default speeds : "LOW", "MEDIUM", "HIGH", "FULL"

Speed Table	Low	Medium	High	Full
Lowest Speed	1150	1150	1150	1150
Highest Speed	3450	3450	3450	3450
Default Speed	1150	1700	2800	3450

1.2) The default speeds cannot be changed. However, you can adjust to a temporary pump speed within a default setting with the "UP" or "DOWN" buttons.

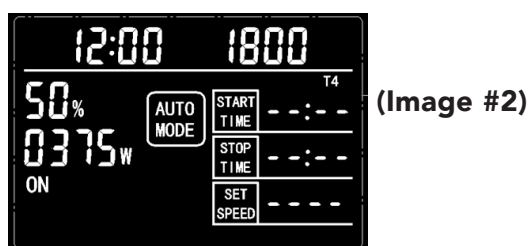
1.3) Once you have the temporary speed set, press the "SET" button to adjust to next default speed.

1.4) In Manual mode, if you turn off the pump, the current speed can be auto-saved when you use the pump next time.

2.0) AUTOMATIC OPERATING MODE:

- To start Automatic Mode Programming **press "SET" once (See Image #2)**.

NOTICE - Automatic Mode will not function until Current Time and Times & Speeds Parameters are programmed. Follow the instructions below to program Current Time and the Times & Speeds Parameters for each segment.



(Image #2)

5. PROGRAMMING VARIABLE TIME & SPEED OPERATIONS

2.1) PROGRAM CURRENT TIME:

- To set Current Time press the "RUN/STOP" and "SET" button at the same time, hold for 3 seconds. The hour setting will flash. Use the "UP" or "DOWN" buttons to adjust to current hour. When you have the hour correct press the "SET" button once to move to minute setting. The minute setting will flash. Press the "UP" or "DOWN" button to adjust to the current minute (See Image #3).



(IMAGE #3)

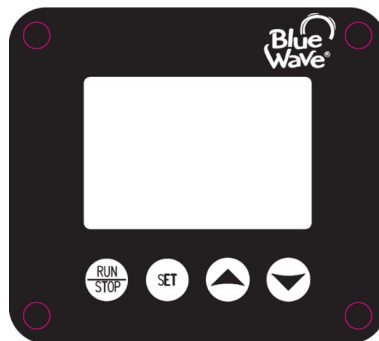
2.2) PROGRAM "T" SEGMENT TIMES AND OPERATING SPEEDS:

- A maximum of 4 timing segments can be programmed. Each timing segment includes three parameters: "Start Time," "End Time," and "Running Speed". The segments are shown on the screen as "T1," "T2," "T3," and "T4". After setting, the pump runs at the speed programmed within the times set for Start and End. Times and speeds are saved when power is off.
- When programming time and speed parameters for the first time, programming automatically starts with the first time and speed segment, "T1".
- When programming a time and speed segment, all parameters (Start Time, End Time and Running Speed) are displayed. The parameter being programmed flashes.
- Press the "SET" button to start programming your "T1" operating time and speed segment. Use the "UP" or "DOWN" buttons to program the Start Time, End Time, and Operating Speed. The parameter being set will flash. When you have the time or speed set as you want, press "SET" to save it. The next parameter will flash. Continue through the Start Time, End Time, and Speed settings until finished. Once you have the first segment programmed press the "SET" button for 3 seconds to save and exit that segment.
- Press the "DOWN" button to move to the "T2" segment you wish to program. Repeat the process used to program the first time and speed segment.
- Continue the process through "T3" & "T4" until you have programmed as many of the four available time and speed segments you wish. It is not necessary to program all four of the time and speed segments.
- If you make a mistake while you are programming time and speed in a segment you can go back by pressing "SET" once. Then switch to the time or speed setting you want to change by pressing "SET" until that setting flashes. Use the "UP" or "DOWN" buttons to change the setting.

5. PROGRAMMING VARIABLE TIME & SPEED OPERATIONS

- If during the process of programming a "T" segment you fail to press a button and more than 8 seconds elapses, the programming for that "T" segment will automatically save and exit. You can cycle back to that segment by pressing the "DOWN" button once then press the "SET" button until you come back to the segment you were programming. Proceed with the normal segment programming steps.
- When programming a "T2," "T3," or T4" segment the programmed times may not overlap with times from other segments. If this happens, the programming for that segment cannot be saved. Go back to restart that segment's programming as explained above.
- To fast delete the current settings for "T" segment, set the hour in start time to "23" and press the "UP" button once, the setting under this segment will be deleted. Or, set the hour in start time to "00" and press the "Down" button once, the setting under this segment will be deleted.
- Review the button functions below for additional programming information.

3.0) BUTTON DESCRIPTION AND FUNCTIONS:



(Diagram 4)

3.1) "RUN/STOP" BUTTON:

Used to start or stop the pump.

- When switched to stop in the Manual Mode the pump stops until turned back on.
- When switched to stop in the Automatic Mode the pump automatically turns on when the time reaches the next programmed segment.

3.2) "SET" BUTTON:

- In the Manual Mode, it is used to switch between different default speeds.
- In Automatic Mode, it is used to enter the programming status or enter the next item for programming in each segment.
- In Automatic Mode press and hold for 3 seconds to exit the segment.

3.3) "UP" BUTTON:

- In Manual Mode, it can be used to increase the pump speed.
- When used during Current Time programming, users can cycle up to the previous interface to view the timing item page.
- When used in programming the Automatic Mode "T" segments, it is used to increase the time or speed in that segment.
- Pressing and holding will rapidly increase the change in value.

5. PROGRAMMING VARIABLE TIME & SPEED OPERATIONS

3.4) "DOWN" BUTTON:

- In Manual Mode, it can be used to decrease the pump speed.
- When used during Current Time programming, users can cycle down to the previous interface to view the timing item page.
- When used in programming the Automatic Mode "T" segments, it is used to decrease the time or speed in that segment.
- Pressing and holding will rapidly decrease the change in value.

3.5) "COMBINATION" BUTTON FUNCTIONS:

- Press the "UP" and "DOWN" buttons at the same time to switch between "Automatic mode" and "Manual mode".
- Press the "RUN/STOP" button and "Set" button at the same time and hold for 3 seconds to set the current time. If you need to cancel the setting, press the "On / Off" button and "Set" button again to exit.

6. MAINTENANCE/STORAGE & WINTERIZATION

MAINTENANCE

- Clean strainer basket regularly. Do NOT strike basket to clean. Inspect strainer cover gasket regularly and replace as necessary.
- Pumps have self-lubricating motor bearings and shaft seals. No lubrication is necessary.
- Keep motor clean. Do NOT use water to hose off motor.
- Occasionally, shaft seals must be replaced, due to wear or damage. Replace with genuine seal assembly kit.

STORAGE & WINTERIZATION



WARNING

Separation or Explosion Hazard.

- Do not purge the system with compressed air. Purging the system with compressed air can cause components to explode, with risk of severe injury or death to anyone nearby. Use only a low pressure (below 5 PSI), high volume blower when air purging the pump, filter, or piping.



ATTENTION

Use **ONLY** propylene glycol as antifreeze in your pool/spa system. Propylene glycol is nontoxic and will not damage plastic system components; other antifreezes are highly toxic and may damage plastic components in the system.

- Drain all water from pump and piping when expecting freezing temperatures or when storing pump for a long time (see instructions below).
- Keep pump dry and covered during storage. To avoid condensation/corrosion problems, do **NOT** cover or wrap pump with plastic film or bags.



ATTENTION

Allowing the pump to freeze will void the warranty.

6. MAINTENANCE/STORAGE & WINTERIZATION

STORING PUMP FOR WINTERIZATION



WARNING

To avoid a dangerous or fatal electrical shock, turn OFF power to motor before draining pump. Failure to disconnect power may result in serious personal injury or death.

- Drain water level below all inlets to the pool.
- Remove drain plugs from bottom of strainer body, and remove strainer cover from strainer housing.
- Disconnect pump from mounting pad, wiring system, and plumbing system.
- Once the pump is empty of water, re-install the strainer cover and drain plugs. Store pump in a dry area.

7. TECHNICAL DATA FOR FX PRO VS II

FOR ABOVE-GROUND & IN-GROUND POOL PUMPS

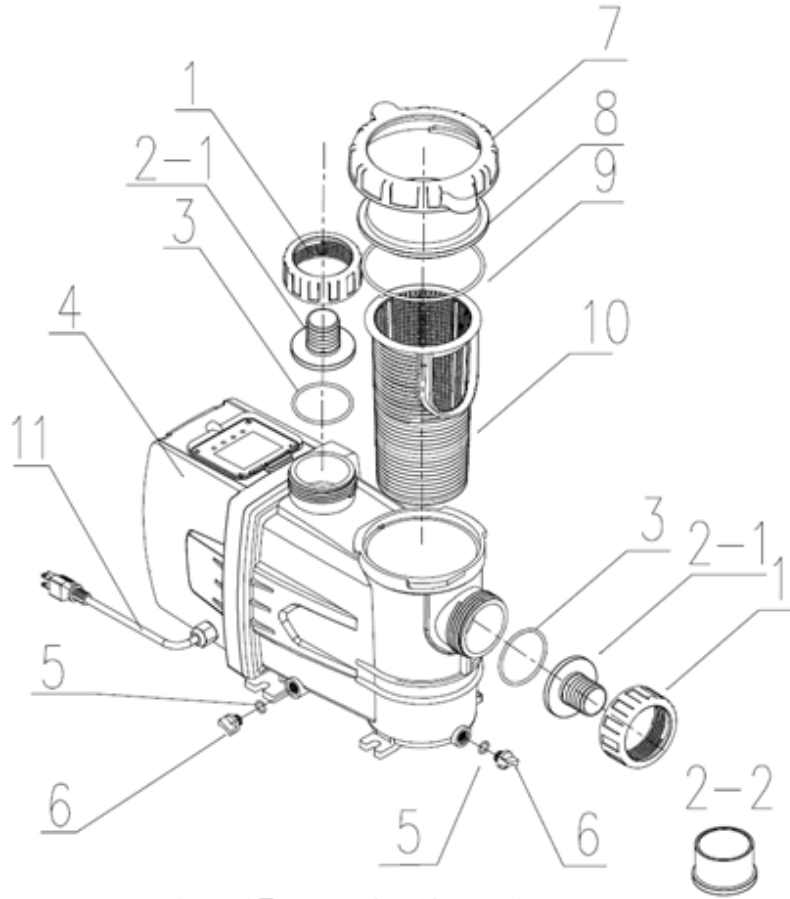
DATA FOR MODEL #'s NE9881 & NE9882:

BW No.	Input Power	WEF	Voltage	Hertz	HHP	Max Flow Rate	Amps	Wire Size
NE9881	1 HP	9.266	115V	60Hz	0.526	2880 GPH with 1-1/2" Hose	6.4A	12AWG
						4863 GPH with 2" Pipe		
NE9882	1 HP	10.34	230V	60Hz	0.533	4876 GPH	3.3A	12AWG

7. TECHNICAL DATA FOR FX PRO VS II

PUMP PARTS DIAGRAM

1. Pumps Parts Breakdown & Diagram MODEL #: **NE9881**



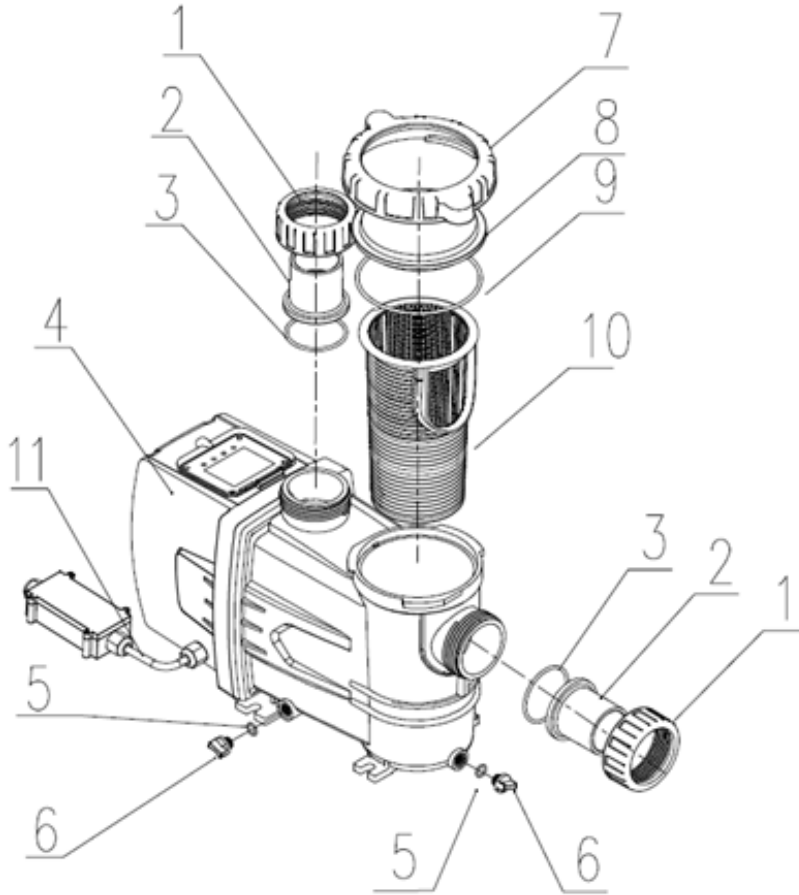
PARTS LIST - FX PRO VS 115V

#	Part Description	QTY.	MFG No.	BW No.	For Model #
1	Plastic Nut	2	PM2101	NEP20232	NE9881 & NE9882
2-1	Hose Coupling 1-1/2"	2	PM21021	NEP20242	NE9881
2-2	Hose Coupling 2"	2	PM21022	NEP20233	NE9881 & NE9882
3	Intake and Discharge O-Ring	2	PM2103	NEP20234	NE9881 & NE9882
4	Motor Shell	1	PM2104	NEP20235	NE9881 & NE9882
5	Drain Plug O-Ring	2	PM2105	NEP20236	NE9881 & NE9882
6	Drain Valve	2	PM2106	NEP20237	NE9881 & NE9882
7	Screw Cap	1	PM2107	NEP20238	NE9881 & NE9882
8	Transparent Cover	1	PM2108	NEP20239	NE9881 & NE9882
9	Pump Lid O-Ring	1	PM2109	NEP20240	NE9881 & NE9882
10	Filter Basket	1	PM2110	NEP20241	NE9881 & NE9882
11	Power Cord	1	PM2111	NEP20243	NE9881

7. TECHNICAL DATA FOR FX PRO VS II

PUMP PARTS DIAGRAM

2. Pumps Parts Breakdown & Diagram MODEL #: **NE9882**



PARTS LIST - FX PRO VS 230V

#	Part Description	QTY.	MFG No.	BW No.	For Model #
1	Plastic Nut	2	PM2101	NEP20232	NE9881 & NE9882
2	Hose Coupling 2"	2	PM21022	NEP20233	NE9881 & NE9882
3	Intake and Discharge O-Ring	2	PM2103	NEP20234	NE9881 & NE9882
4	Motor Shell	1	PM2104	NEP20235	NE9881 & NE9882
5	Drain Plug O-Ring	2	PM2105	NEP20236	NE9881 & NE9882
6	Drain Valve	2	PM2106	NEP20237	NE9881 & NE9882
7	Screw Cap	1	PM2107	NEP20238	NE9881 & NE9882
8	Transparent Cover	1	PM2108	NEP20239	NE9881 & NE9882
9	Pump Lid O-Ring	1	PM2109	NEP20240	NE9881 & NE9882
10	Filter Basket	1	PM2110	NEP20241	NE9881 & NE9882
11	Power Cord Transfer Box	1	PM2211	NEP20244	NE9882

8. TROUBLESHOOTING FOR FX PRO VS II PUMPS

COMPUTER CONTROLLED TROUBLE SHOOTING FEATURES for FX PRO VS II PUMPS:

1. High or Low Temperature Protection

When the motor temperature is higher than 194°F or is lower than 23°F, the pump will stop and the error code TP is displayed. When normal motor temperature is restored, between 41°F to 140°F, the pump will start automatically according to user's automatic mode programming.

2. Blocking or Jamming Protection

When the motor impeller or the motor is stuck, the error code BP is displayed. The pump will automatically attempt to restart in 6 seconds. If restarting does not happen automatically after several attempts users need to check the impeller and motor. Always turn off power before attempting maintenance.

3. Voltage Overload Protection

When the controller has a fault such as overload or overcurrent, the error code OL is displayed. The pump tries to restart in 6 seconds automatically if the pump is not damaged.






4. Phase-Loss Protection

When the main PCB detects a phase loss problem (e.g. the motor cable is not properly connected), the error code LP is displayed. The pump will try to restart automatically in 6 seconds after the cable is reconnected or the phase loss is resolved.

5. Communication Loss Protection

When a communication failure occurs between the display PCB and the main PCB inside the pump, the error code CP is displayed and the pump stops.

FAULT CODES, CAUSES, & SOLUTIONS:

Code	Fault	Display	Possible Causes	Solution
TP	High temperature or low temperature protection		Temperature higher than 194°F or temperature lower than 23°F.	1. Wait for the temperature to return to normal (41°F to 140°F).
BP	The motor impeller or the motor will not turn		1. Pump sucked in impurities and the impeller is jammed. 2. Bearing damage froze the motor shaft.	1. The pump will attempt to restart automatically in 6 seconds. If restarting fails user needs to check the impeller and motor when the power is off. 2. Send it to a professional repair station.
OL	Voltage Overload		The output amperage is too high.	1. The pump will try to restart automatically in 6 seconds if it is not damaged. 2. Send it to a professional repair station for repair.
LP	Phase Loss		There is a phase wire missing connection at the input.	1. The pump will try to restart automatically in 6 seconds after the phase wire is well connected.
CP	Communication Failure		1. Loose connection cable between display PCB and main PCB; 2. Connection cable damaged.	1. After communication is restored, the pump will restart automatically. 2. Check the connection cable. 3. Send it to a professional repair station for repair.

9. POOL PUMP TROUBLESHOOTING GUIDELINES

Motor Will NOT Start – Check For:

Make sure the terminal board connections agree with the wiring diagram on motor data plate label. Be sure motor is wired for available field supply voltage (see pump operating label).

1. Improper or loose wiring connections; open switches or relays; tripped circuit breakers, GFCI's, or blown fuses.

Solution: Check all connections, circuit breakers, and fuses. Reset tripped breakers or replace blown fuses.

2. Manually check rotation of motor shaft for free movement and lack of obstruction.
3. If you have a timer, be certain it is working properly. Bypass it if necessary.

Motor Shuts OFF – Check For:

1. Low voltage at motor or power drop (often caused by undersized wiring or extension cord use).

Solution: Contact qualified professional to check that the wiring gauge is heavy enough.

2. Motor may be overheating due to direct sunlight or low water level in the pump basket.

Solution: Check water flow to insure uniform amount of water coming to the pump.

NOTE - Your pump motor is equipped with an "automatic thermal overload protector." The motor will automatically shut off if the power supply drops before heat damage can build up causing windings to burn out. The "thermal overload protector" will allow the motor to automatically restart once the motor has cooled. It will continue to shut off until the problem is corrected. Be sure to correct cause of overheating.

Motor Hums, But Does NOT Start – Check For:

1. Impeller jammed with debris.

Solution: Have a qualified repair professional open the pump and remove the debris.

2. Motor is frozen either from months in the carton after manufacturing or from over winter storage.

Solution: Insert a flat bladed screw driver into the slot at the back end of the motor shaft and turn motor shaft until it moves freely. You may have to remove the protective metal cap from some models to access the motor shaft.

NOTE – All FlowXtreme, FX VS PRO II & FX PRO II pumps are run tested with water before leaving the factory.

Water Leaks Around Intake and Discharge Fittings – Check For:

1. Loose union fittings or hose fittings.

Solution: Tighten fittings or remove, apply Teflon tape and reinstall.

2. Loose hose clamps on flexible hose.

Solution: Tighten hose clamps using a nut driver or wrench instead of a screwdriver

3. Leaks that continue after trying the above solutions.

Solution: Inspect union fittings and hose fittings for excess plastic mold flashing that can cause hoses and plumbing not to seal. If plastic mold flashing is found, remove it with a fine tooth file or knife blade and re-assemble. If the fitting still will not seal replace them and reassemble plumbing with new fittings.

9. POOL PUMP TROUBLESHOOTING GUIDELINES

Pump Won't Prime – Check For:

1. Empty pump/strainer housing

Solution: Make sure pump/strainer housing is filled with water and cover o-ring is clean. Ensure o-ring is properly seated in the cover o-ring groove. Ensure o-ring is lubricated and that strainer cover is locked firmly in position. Lubricant will help to create a tighter seal.

2. Loose connections on suction side.

Solution: Tighten pipe/union connections or hose clamps on flexible hose.

NOTE - Any self-priming pump will not prime if there are suction air leaks. Leaks will result in bubbles emanating from return fittings on in-ground pool wall.

3. Leaking O-ring on valves.

Solution: Tighten, repair, or replace valves.

4. Strainer basket or skimmer basket loaded with debris.

Solution: Remove strainer housing cover or skimmer cover, clean basket, and refill strainer housing with water. Tighten cover.

5. Suction side in-ground pool intake plumbing clogged.

Solution: Contact a qualified repair professional to do a vacuum test.

Block off to determine if pump will develop a vacuum. You should have 5"-6" of vacuum at the strainer cover (**Only your pool dealer can confirm this with a vacuum gauge**). You may be able to check by removing the skimmer basket and holding your hand over the bottom port with skimmer full and pump running. If no suction is felt, check for line blockage.

a. If pump develops a vacuum, check for blocked suction line or dirty strainer basket. An air leak in the intake plumbing may be the cause.

b. If pump does not develop a vacuum and pump has sufficient "priming water":

i. Re-check strainer housing cover and all threaded connections for suction leaks. Check and tighten all system hose clamps on above-ground pools.

ii. Check voltage to ensure that the motor is rotating running at full RPM's.

iii. Open housing cover and check for clogging or obstruction in suction. Check impeller for debris.

iv. Remove and replace shaft seal only if it is leaking.

Low Flow – Generally, Check For:

1. Clogged or restricted strainer or suction line.

Solution: Check for visible debris and remove if observed. If the problem continues contact a qualified repair professional.

2. Undersized pool plumbing.

Solution: Correct plumbing size.

3. Plugged or restricted discharge line of filter, valve partially closed (high gauge reading).

Solution: Sand filters – backwash as per manufacturer's instructions; D.E. filters – backwash as per manufacturer's instructions; Cartridge filters – clean or replace cartridge.

9. POOL PUMP TROUBLESHOOTING GUIDELINES

Low Flow - (Continued)

4. Air leak in suction (bubbles issuing from return fittings).

Solution: Re-tighten suction and discharge connections using Teflon tape. Inspect other plumbing connections and tighten as required.

5. Plugged, restricted, or damaged impeller.

Solution: Contact a qualified repair professional to install a new impeller & seal assembly.

Noisy Pump – Check For:

1. Air leak in suction piping, cavitation caused by restricted or undersized suction line or leak at any joint, low water level in pool, or unrestricted discharge return lines.

Solution: Correct suction condition or tighten fittings, if practical. Holding hand over return fitting will sometimes prove this point or putting in a smaller return eyeball fitting.

2. Vibration due to improper mounting, etc.

Solution: Mount the pump on a level surface and secure the pump to the equipment pad.

3. Foreign matter in pump housing. Loose stones/debris hitting impeller will cause noise.

Solution: With the pump turned off or disconnected from the power source clean the pump housing and inspect to remove any debris visible in the inner portion of the pump by the impeller.

4. Motor bearings noisy from normal wear, rust, overheating, or concentration of chemicals causing seal damage. This will allow chlorinated water to seep into bearings wiping out the grease resulting in rusting of the motor shaft and causing the bearing to whine.

Solution: All seal leaks must be replaced at once. Have a qualified pump repair specialist replace the motor shaft seals and inspect the motor shaft for possible damage. If the motor shaft is damaged replace the motor.



ATTENTION

**DO NOT RETURN THIS PRODUCT TO YOUR RETAILER
IF YOU ENCOUNTER ANY DIFFICULTIES WITH YOUR
NEW SWIMMING POOL PUMP CONTACT BLUE WAVE
CUSTOMER SERVICE FOR ASSISTANCE.**

1-800-759-0977

10. ONE YEAR LIMITED WARRANTY

This product is warranted to the original purchaser to be free from defects in material or workmanship for a period of one (1) year from the date of the original retail purchase.

This warranty does not cover defects or damage due to improper installation, alteration, accident or any other event beyond the control of the manufacturer. Defects or damage resulting from misuse, abuse, or negligence will void this warranty. This warranty does not cover scratching or damage that may result from normal usage.

This product is not intended for institutional or commercial use; the manufacturer does not assume any liability for such use. Institutional or commercial use will void this warranty.

This warranty is nontransferable and is expressly limited to the repair or replacement of the defective product. During the warranty period, the manufacturer shall repair or replace defective parts at no cost to the purchaser. Shipping charges and insurance are not covered and are the responsibility of the purchaser. Labor charges and related expenses for removal, installation, or replacement of the product or components are not covered under this warranty.

The manufacturer reserves the right to make substitutions to warranty claims if parts are unavailable or obsolete.

The manufacturer shall not be liable for loss of use of the product or other consequential or incidental costs, expenses or damages incurred by the consumer of any other use. The user assumes all risk of injury resulting from the use of this product.

This warranty is expressly in lieu of all other warranties, expressed or implied, including warranties of merchantability or fitness for use to the extent permitted by Federal or state law. Neither the manufacturer nor any of its representatives assumes any other liability in connection with this product.

All warranty claims must include the retailer's information where the product was originally purchased. A purchase receipt or other proof of date of purchase will be required to process all warranty claims. The model number and part numbers found within the assembly instructions will be required when submitting any parts requests or warranty claims.

For further warranty information or inquiries, please call **1 (800) 759-0977**

Blue Wave Products, Inc.
101 N Raddant Drive
Batavia, IL 60510