

# Pool Breakdown

## Riviera 33' Round 54"

### NB12933

<p><b><u>FEATURES:</u></b>  Round  Size: 33'  Depth: 54"  30 Year Warranty</p>	<p><b><u>STRUCTURE COMPOSITION:</u></b>  Resin Top Rail  Resin Seat Covers  Steel Uprights  Steel Sidewall</p>
--	--

	Qty	Carton #	Carton Content Description
<input type="checkbox"/>	1	<b>3354-8RV-DB-2</b>	TOP SEAT; VERTICAL; WARRANTY; SAFETY DECALS; PARTS LIST+FRAME INSTRUCTION; SAFETY BOOKLET; ROUND INSTRUCTION
<input type="checkbox"/>	1	<b>33-5/8RAIL-2-RR</b>	5/8" RAIL
<input type="checkbox"/>	1	<b>33-8PR-DB-3</b>	SEAT COVER; SEAT COVER BRACKET; SHEET METAL SCREW; SEAT COVER CAP
<input type="checkbox"/>	1	<b>3354-ISD-W 1/2</b>	PLASTIC EDGING; TRUSS HEAD SCREW; WALL SECTION 1
<input type="checkbox"/>	1	<b>3354-ISD-W 2/2</b>	REINFORCING WASHER; NUT; WALL SECTION 2

# Carton Breakdown

## Riviera 33' Round 54"

### NB12933

	Key #	Qty	Item #	Mfg Part #	Part Description
<b>FRAME CARTON # 3354-8RV-DB-2</b>					
<input type="checkbox"/>	1	22	NBP1220	2385DB	8in Vertical (54" High)
<input type="checkbox"/>	6	22	NBP1221	1100DB	8in Resin Top Seat L=1444mm (56-7/8")
<input type="checkbox"/>	---	1	----	0022	Warranty
<input type="checkbox"/>	---	1	----	0023	Safety Decals
<input type="checkbox"/>	---	1	----	0024	Parts List + Frame Instruction
<input type="checkbox"/>	---	1	----	0025	Safety Booklet
<input type="checkbox"/>	---	1	----	0001	Round Instructions
<b>RAIL CARTON # 33-5/8RAIL-2-RR</b>					
<input type="checkbox"/>	4	44	NBP1228	1733-R	5/8in Rail L=1431mm (56-3/8")
<b>FRAME CARTON # 33-8PR-DB-3</b>					
<input type="checkbox"/>	2	22	NBP1061	2176	7in Resin Joint - Upper
<input type="checkbox"/>	7	22	NBP1222	2483DB	8in Seat Cover Bracket
<input type="checkbox"/>	8	22	NBP1223	2482DB	8in Seat Cover
<input type="checkbox"/>	10	22	NBP1062	2276	7in Resin Joint - Lower
<b>Seat Cover Assembly Bolt Package (Order # NBP1203)</b>					
<input type="checkbox"/>	3	242	NBP1203	0341*	#12 Sheet Metal Screw
<input type="checkbox"/>	3	22	NBP1203	0345*	5mm x 40mm Sheet Metal Screw
<input type="checkbox"/>	3	22	NBP1224	2402DB	Resin Seat Cover Cap

\*These part #'s are not available to purchase separately. They must be purchased as the Seat Cover Assembly Bolt Package, Order # NBP1203

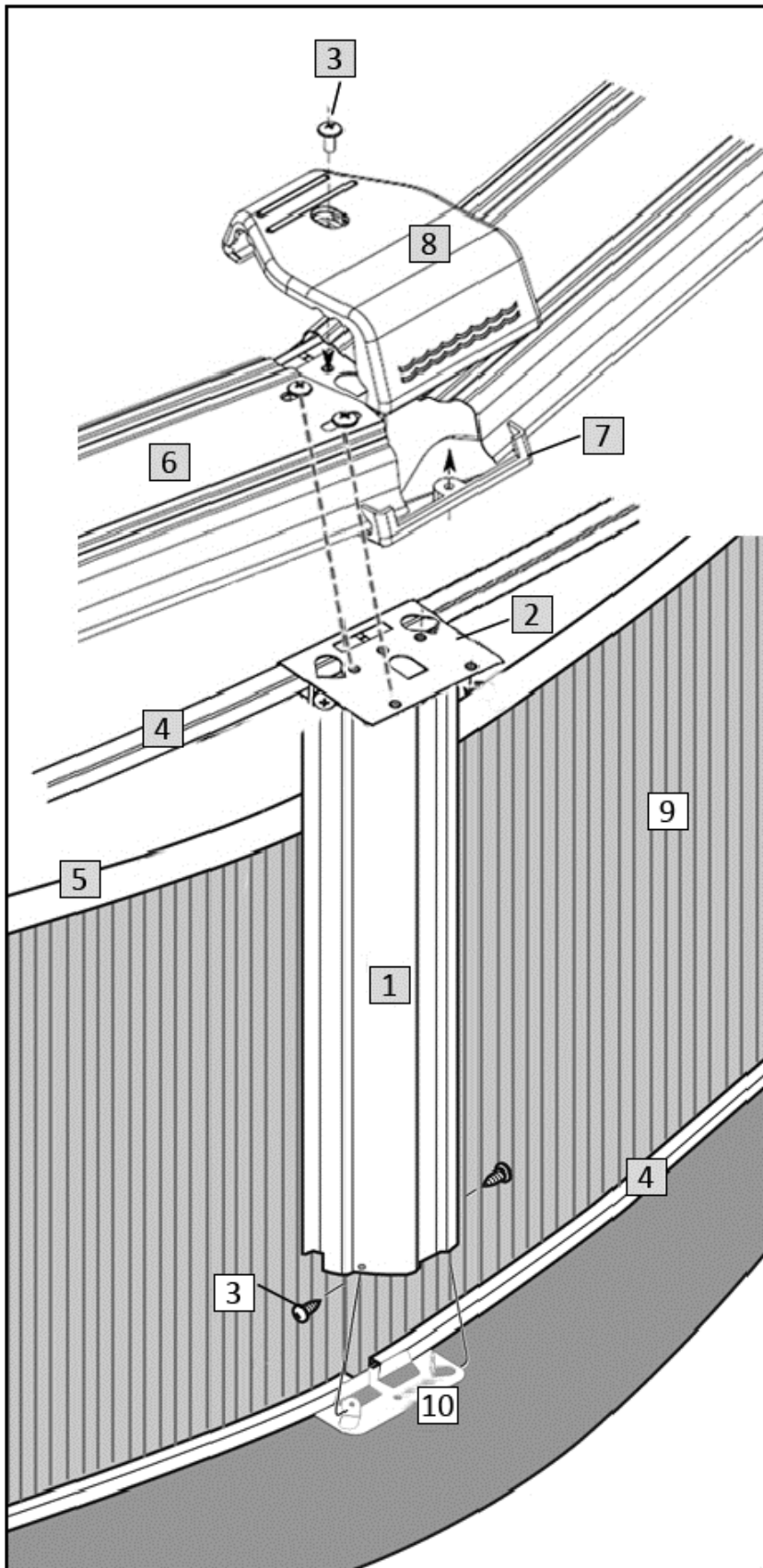
**Carton Breakdown**  
**Riviera 33' Round 54"**  
**NB12933**

Key #	Qty	Item #	Mfg Part #	Part Description	
<b>WALL CARTON # 3354-ISD-W 1/2</b>					
<input type="checkbox"/>	5	24	NL107	8100	Plastic Edging
<input type="checkbox"/>	9	1	PC5613	54" Wall	Steel Dark Brown Wall Section 1
<b>54" Wall Joint Bolt Package (Part # 0114, Order # NBP1067)</b>					
<input type="checkbox"/>	3	27	NBP1067	0513*	1/4" x 1/2" Truss Head Screw
<b>WALL CARTON # 3354-ISD-W 2/2</b>					
<input type="checkbox"/>	9	1	PC5614	54" Wall	Steel Dark Brown Wall Section 2
<b>54" Wall Joint Bolt Package (Part # 0114, Order # NBP1067)</b>					
<input type="checkbox"/>	3	53	NBP1067	0411*	1/4" Reinforcing Washer
<input type="checkbox"/>	3	27	NBP1067	0611*	1/4" Nut

\*These part #'s are not available to purchase separately. They must be purchased as the Wall Joint Bolt Package, Order # NBP1067

# Riviera 33' Round 54"

NB12933



Key #	Part Description	Item #
1	8in Vertical	NBP1220
2	Resin Upper Joint	NBP1061
3	Seat Cover Hardware	NBP1203
3	Wall Joint Hardware	NBP1067
4	5/8" Rail	NBP1228
5	Plastic Edging	NL107
6	8in Resin Top Seat	NBP1221
7	8in Seat Cover Bracket	NBP1222
8	8in Seat Cover	NBP1223
9	Wall Section 1	PC5613
9	Wall Section 2	PC5614
10	Resin Lower Joint	NBP1062