

Pool Breakdown
Blue Lagoon 15' Round 52"
NB1063

<p><u>FEATURES:</u> Round Size: 15q Depth: 52+ 15 Year Warranty</p>	<p><u>STRUCTURE COMPOSITION:</u> Rugged Steel Frame Polymer Seat Caps Protective Wall Coatings</p>
--	--

	Qty	Carton #	Carton Content Description
<input type="checkbox"/>	1	1552-CPL-1R BOX A	GALAXY . WALL; PLASTIC EDGING; 52+WALL JOINT PACKAGE
<input type="checkbox"/>	1	1552-1R-WS-2 BOX B	GALAXY . 1 INCH VERTICAL; 1 INCH RAIL; 5/8 INCH RAIL, CAP JOINT; LOWER JOINT; HARDWARE; INSTRUCTIONS

Carton Breakdown

Blue Lagoon 15' Round 52"

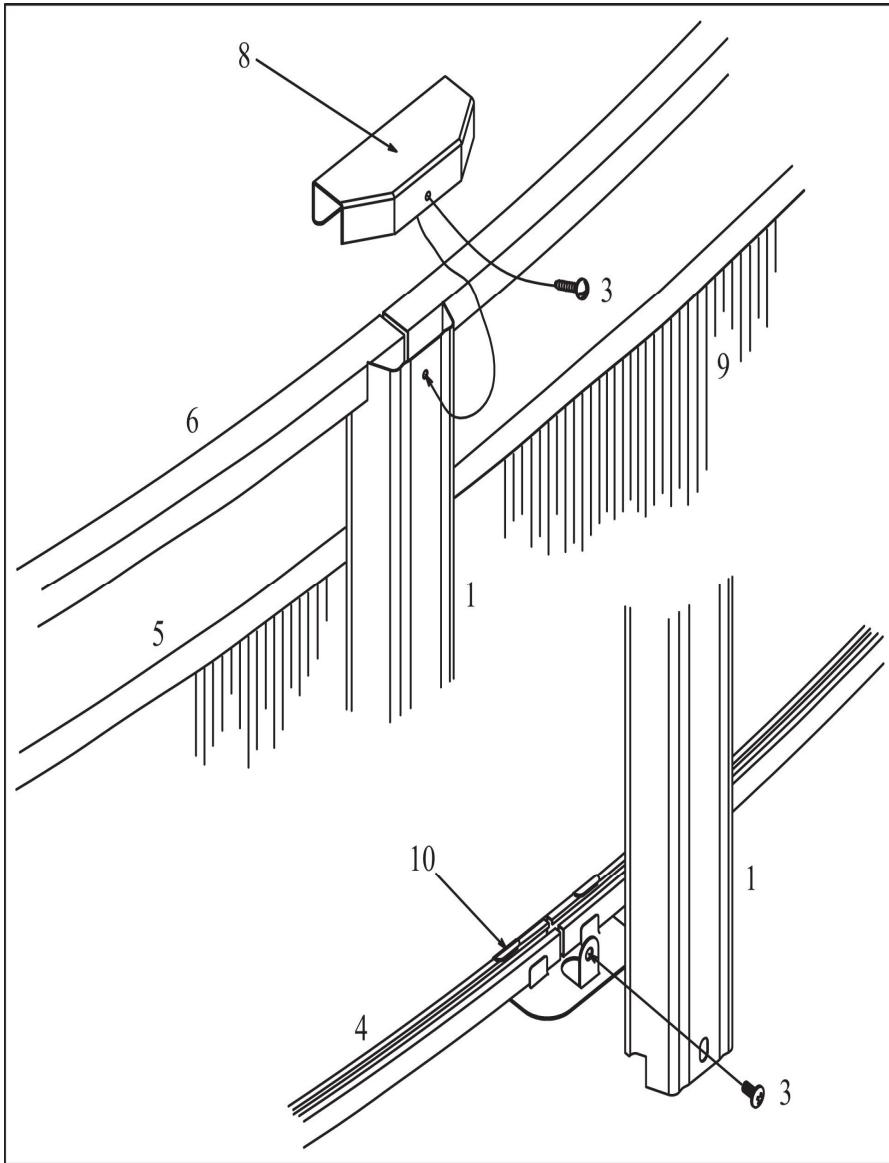
NB1063

Key #	Qty	Item #	Mfg Part #	Part Description	
FRAME CARTON # 1552-1R-WS-2					
<input type="checkbox"/>	1	10	NBP1113	2322	1in Vertical (52+High)
<input type="checkbox"/>	3	10	-----	0513	1/4+x 1/2+Truss Head Screw
<input type="checkbox"/>	3	10	-----	0344	5mm x 16mm Sheet Metal Screw
<input type="checkbox"/>	4	10	NBP1025	1615	5/8in Rail L=1432mm (56-3/8+) 15ft
<input type="checkbox"/>	6	10	NBP1041	1815	1in Top Rail (15ft dia. Purple)
<input type="checkbox"/>	8	10	NBP1116	2121	1in Cap Joint
<input type="checkbox"/>	10	10	NBP1117	2211	1.5in & 3.5in Lower Joint
<input type="checkbox"/>	---	1	-----	0022	Warranty
<input type="checkbox"/>	---	1	-----	0023	Safety Decals
<input type="checkbox"/>	---	1	-----	0024	Parts List + Frame Instruction
<input type="checkbox"/>	---	1	-----	0025	Safety Booklet
<input type="checkbox"/>	---	1	-----	0001	Round Instruction Manual
WALL CARTON # 1552-CPL-1R					
<input type="checkbox"/>	5	11	NL107	8100	Plastic Edging
<input type="checkbox"/>	9	1	NBP1122	52+Wall	15q52+Wall
52" Wall Joint Bolt Package (Part # 0113, Order # NBP1021)					
<input type="checkbox"/>	3	26	NBP1021	0513*	1/4+x 1/2+Truss Head Screw
<input type="checkbox"/>	3	51	NBP1021	0411*	1/4+Reinforcing Washer
<input type="checkbox"/>	3	26	NBP1021	0611*	1/4+Nut

*These part #s are not available to purchase separately. They must be purchased as the Wall Joint Bolt Package, Order # NBP1021

Blue Lagoon 15' Round 52"

NB1063



Key #	Part Description	Item #
1	1in Vertical	NBP1113
3	Hardware	-----
3	Wall Joint Hardware	NBP1021
4	5/8+Rail	NBP1025
5	Plastic Edging	NL107
6	1in Top Rail	NBP1041
8	1in Cap Joint	NBP1116
9	Wall	NBP1122
10	Lower Joint	NBP1117