



Flow Xtreme

FX PREMIUM DOME SOLAR
HEATER -24' POOL



VER.1217

NS1001

Safety instructions

Read through these instructions carefully before you use the product.

Caution: Failure to comply fully with our instructions for use, or safety instructions, may cause damage to the unit or injury to individuals.

- Please read the instruction manual and the directions shown there.
- Do not allow children to handle this equipment.
- Always turn off your filter system when you are working with your solar collector.
- Do not position the equipment too close to the pool (adequate safe distance).
- Do not use any petroleum-based lubricants. Petroleum attacks the product's plastic components.
- This equipment is not intended for use by anyone (including children) with restricted physical, sensory or mental ability, or with limited experience and / or limited knowledge, unless they are supervised by someone responsible for their safety, or they receive instruction from them regarding the use of the equipment.
- Children must be supervised to ensure they do not play with the equipment.

1 General information

1.1.1 Conditions for the installation of a solar collector

The solar collector you have purchased is intended for use with in-ground and above-ground pools, and is easy to install and handle. The installation instructions are based on the following conditions:

- 1) You have a pool which is fully built and filled with water.
- 2) Your pool has a filter system.
- 3) You have the required connector hoses to supply the pool and filter system with water. Ø1.25"-1.5" (Ø32/38mm)

These are the requirements so that the solar collector can force water through the solar chambers when it is installed and fully connected to the filter pump.

1.1.2 Use(Figure 1)

Once the equipment is installed, it is connected between your filter system and your pool using the two hose connectors. The connector hose forces the cold water from your filter unit into the solar chambers of your solar collector. Here it is heated by the sun's energy and then fed on to the second connector hose towards the pool.

A = feed from the filter unit to the solar collector
B = feed from the solar collector to the swimming pool inlet nozzles

Water heating depends on the following factors: Flow rate and level of sunshine.

Solar heating only functions efficiently in sunshine. It can also remain connected to the pump in poor weather as this only causes a slight loss of pressure in the pump.

1.1.3 Tools and accessories required

These tools are required for assembly, but are not included in your set:

- Phillips screwdriver
- Flat head screwdriver

1.1.4 The ideal location for your solar collector

You solar collector needs to be in a location with as much sunlight as possible.

- Never position the solar collector over the surface of your pool.
- Keep it an adequate distance away from your pool (keep a safe distance).
- The solar collector is designed to allow maximum possible penetration of sunlight.

1.1.5 Product care

The solar collector should not be exposed to cold weather. The solar collector should be stored in an area protected from frost before the first frost, or at the end of the pool season. All parts must be rinsed or cleaned with water only. Detergents may damage the protective cover.

1.1.6 Over wintering

Drain all the water from the solar collector by closing off the pipes. Store the equipment away for winter in an area protected from frost. Remove the pool return pipes.

Make sure there is no water left inside the equipment as this can freeze. Water expands as it freezes and so can damage the solar chambers.

2 Technical data:

NS1001 FX PREMIUM DOME SOLAR HEATER - 24' POOL

- Dimensions: L x W x H 30.7"x30.7"x15.54" (78x78x42cm)
- Maximum pressure 29 psi(2 bar) at 68 °F (20 °C)
- Water flow rate max. 2,640 GPH / 10,000 LPH
- Water content collector 2.64 gal (10 l)

3 Installation instructions

3.1.1 Assembly instructions

Before you begin installation of the collector, turn off the filter pump and close off all water connections.

Connection between solar collector and pool

For pools with a Ø1.25" (Ø32mm) or Ø1.5" (Ø38mm) swimming pool hose, follow the instructions below:

- Attach the hose to the return connector on the underside of the solar collector.
- Use a hose clip to connect the hose to the return connector (see Fig. 2)
 - A: Pool return hose
 - B: Reduction fitting, if required
 - C: Hose clip
 - D: Return connector

For large INTEX pools (which have swimming pool hoses with gate valves), follow the instructions below (Fig. 3):

- Connect the INTEX special adapter and the O ring with the return connector. Make sure the O ring is in the INTEX special adapter.
- Screw on the pool hose with the INTEX special adapter. Make sure that the seal between the hose and the INTEX special adapter is correctly inserted.
 - A: INTEX special hose
 - B: INTEX special adapter
 - C: O ring
 - D: Return connector
 - E: Flat seal

Correct positioning of the solar collector

Attach both legs to the underside of the device and adjust position according to the sun. Make sure the surface is stable and level.

The device should be assembled as shown in Fig. 4.

- A: Swimming pool hose to the pool
- B: Swimming pool hose from the filter / pump
- C: Return connector
- D: Connector flow

Make sure that all hose connections are watertight and the hose is not kinked or have any sharp corners. If the hoses are not watertight, check whether the O rings are correctly positioned and all connections are screwed together firmly. Do not over-tighten the hose clips (15kg torque).

Connecting several collectors:

If you would like to increase the heating power, you can connect several collectors together. For this you will need a additional swimming pool hose Ø1.25"-1.5" (Ø32/38mm)

We recommend connecting a maximum of 2 collectors, depending on the power of your filter unit.



We definitely recommend use of a bypass set (Fig. 5)

Not only does this help optimal control of heat output, it also helps targeted control of the water flow rate, depending on the power of the filter unit.

4 Initial use

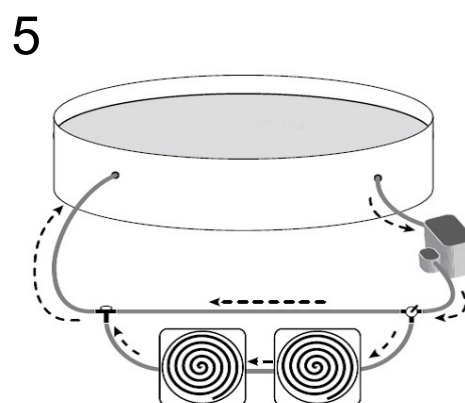
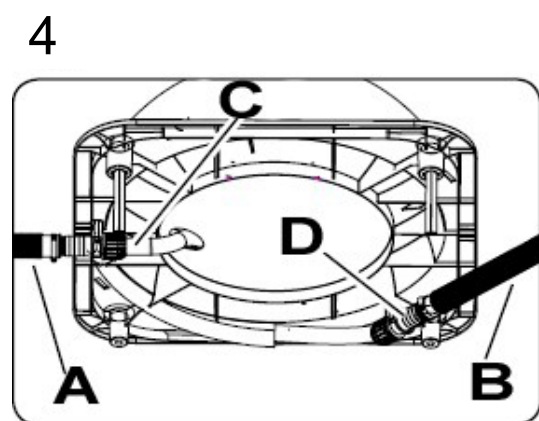
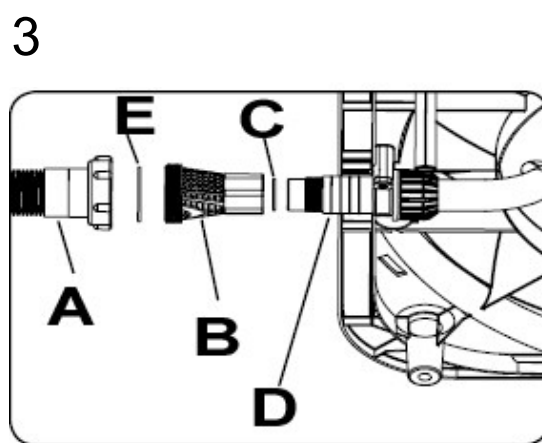
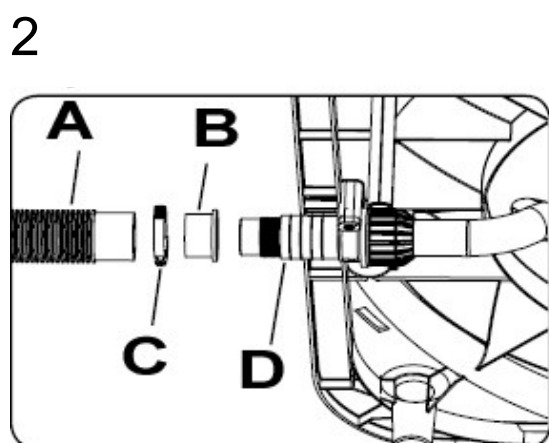
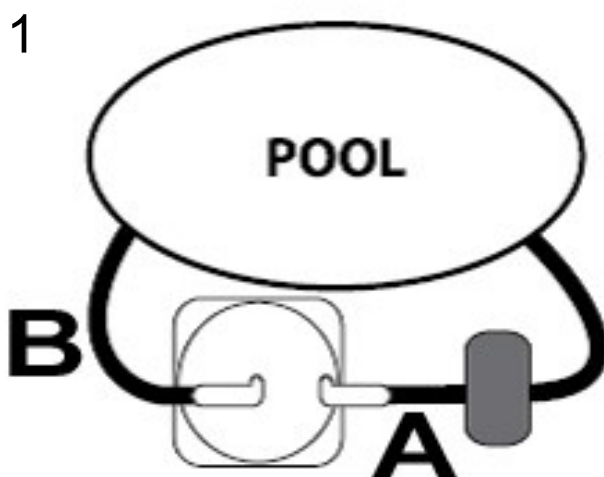
Once the solar collector is assembled and the hoses are connected to the filter pump and the pool, open the water supply and ensure that water is flowing through the hose. Then turn on the filter system. Air bubbles will rise from the inlet nozzle in the pool. This happens as the air is expelled from the solar collector. If this continues for

more than 2-3 minutes, check the tightness of the connections in your system.

Please note: Cover your pool overnight to avoid loss of heat.

5 Trouble shooting

Problem	Cause / Solution
The pool does not warm up.	<ul style="list-style-type: none"> • Make sure that water is flowing through the hoses. • Has it been sunny enough? • Exploit the maximum amount of sunlight and increase the running time of the filter pump. • Cover your pool overnight to avoid loss of heat. • It is possible that you may need several solar collectors.
No bubbles appear after the equipment has been attached to the pump.	<ul style="list-style-type: none"> • Check the filter system and ensure that water from the pool is flowing through the filter pump, then through the solar collector and finally through the connector hose back to the pool.
Air bubbles come out of the pool return after the pump has been turned on.	<ul style="list-style-type: none"> • Check the connector hoses for any damage. • Check that the hose clamps have been properly tightened.
Water escaping.	<ul style="list-style-type: none"> • Check the seals in the system of pipes. • Check whether you have tightened the hose clamps tightly enough. • Check the connector hoses for any cracks.



EXPLODED PARTS DIAGRAM

Key Part Name	Qty	Key Part Name	Qty
1 Cloth Cover	1	14 Short Hose	1
2 Clear Dome	1	15 Hose Connector	2
3 Twist Pipe	2	16 Hose Clamp	2
4 Pipe Long Clip	6	17 Leg Brace	2
5 Clear Inside Cover	1	18 Long Connector O-Ring	1
6 Base	1	19 Adapter for Intex OR Bestway Pools	1
7 Unilateral Connector	2	20 Flat Gasket	1
8 O-Ring Connector	8	21 Screw (ST4*16)	18
9 Inside Clip	2	22 Tie Belt	3
10 Cover Connector	2	23 Screw	4
11 Hose Clip	2	24 Solar Reflector	1
12 Screw (ST5*22)	8		
13 Long Hose	1		

