



---

SKU# NE9883, NE9884

# EASY CLEAN 30 & 50 CARTRIDGE FILTRATION SYSTEM

## INSTRUCTION MANUAL



### ***Questions, problems, missing parts?***

Before returning to your retailer, call our Consumer Hotline at 1-800-759-0977,  
Monday – Friday. 8am – 5pm (CST)

# TABLE OF CONTENTS

THANK YOU! .....	3
SAFETY INFORMATION .....	3
SAFETY INSTRUCTIONS .....	4
INSTALLATION INSTRUCTIONS .....	5
FILTER ASSEMBLY & INSTALLATION DIAGRAMS .....	6
PARTS LIST & DIAGRAM .....	7
WATER INTAKE & RETURN FITTING INSTALLATION DIAGRAMS .....	8
OPERATION INSTRUCTIONS .....	9
CLEANING & REPLACING FILTER CARTRIDGE .....	9
GENERAL MAINTENANCE .....	9
ONE-YEAR LIMITED WARRANTY .....	10

# THANK YOU!

Thank you for purchasing this product. We work around the clock and around the globe to ensure that our products maintain the highest possible quality. However, in the rare case of issues during assembly or use of this product, please contact our **Consumer Hotline at 800-759-0977** for immediate assistance before contacting your retailer. Please read the warranty information at the back of these assembly instructions for further details.

## SAFETY INFORMATION

Congratulations, you have purchased a high quality filtration system from Blue Wave®. This filter system has been manufactured of the highest quality materials and factory tested to ensure years of trouble-free service. To prevent potential injury or unnecessary service calls, please read this entire manual before attempting to assemble, operate, or install the product.



### SAVE THIS INSTRUCTION MANUAL

Use of unauthorized replacement parts voids the warranty.

**ATTENTION INSTALLER!** THIS MANUAL CONTAINS IMPORTANT INFORMATION ABOUT THE INSTALLATION, OPERATION, AND SAFE USE OF THIS PUMP AND MUST BE FURNISHED TO THE END USER OF THIS PRODUCT. FAILURE TO READ AND FOLLOW ALL INSTRUCTIONS COULD RESULT IN SERIOUS INJURY.

# 1. SAFETY INSTRUCTIONS

## WARNING!

Read all the warnings and cautions noted below. Failure to do so could result in serious or fatal injury.

**WARNING:** To reduce your risk of injury, do not permit children to use or climb on this product.

Closely supervise children at all times. Components such as the filtration system, pumps, and heaters must be positioned to prevent children from using them as a means to access the pool.

**CAUTION:** This pump is designed for use with storable pools. A storable pool is constructed so that it is capable of being readily disassembled for storage and reassembled to its original integrity.

Though this product is designed for outdoor use, it is strongly advised to protect the electrical components from the weather. Select a well-drained area, one that will not flood when it rains.

It requires free circulation of air for cooling. Do not install in a damp or unventilated location.

If installed within an outer enclosure, adequate ventilation and free circulation of air must be provided to prevent overheating of the motor.

**WARNING:** Pool components have a finite life. All components should be inspected frequently and replaced if found to be damaged, broken, cracked, missing, or not securely attached.

**WARNING: Risk of Electric Shock.**

Hazardous voltage. Could shock, burn, or cause death.

**WARNING:** To reduce the risk of electric shock, do NOT use an extension cord to connect the unit to the electric supply. Provide a properly located outlet. It is required that licensed electricians do all of the electrical wiring. All electrical wiring MUST be in conformance with applicable local and national codes and regulations.

**WARNING:** Connect only to a grounding type receptacle protected by a Ground Fault Circuit Interrupter (GFCI). Contact a licensed electrician if you cannot verify that the receptacle is protected by a GFCI. If there is no GFCI, one MUST be installed by a licensed electrician.

**WARNING:** Contact a licensed electrician for information on local electrical codes for bonding requirements.

**WARNING:** To reduce the risk of an electric shock, replace a damaged cord immediately. Do NOT bury a cord. Locate the cord to prevent accidental damage from lawn mowers, hedge trimmers, and other equipment.

**WARNING: Suction Entrapment Hazard.**

Entrapment in suction outlets and/or suction outlet covers, which are damaged, broken, cracked, missing, or unsecured can cause severe injury and/or death due to the following entrapment hazards:

**Hair Entrapment:** Hair can become entangled in the suction outlet cover.

**Limb Entrapment:** A limb inserted into an opening of a suction outlet pump or suction outlet cover that is damaged, broken, cracked, missing, or not securely attached can result in a limb becoming entrapped.

**Body Suction Entrapment:** Pressure applied to a large portion of the body or limbs can result in entrapment.

**Mechanical Entrapment:** There is potential for jewelry, swimsuits, hair decorations, fingers, toes, or knuckles to be caught in an opening of a suction outlet cover resulting in mechanical entrapment.

## 1. SAFETY INSTRUCTIONS (CONTINUED)

**WARNING:** Failure to install according to the defined instructions may result in severe personal injury or death.

**WARNING:** Use of unauthorized replacement parts voids the warranty.

**WARNING:** The maximum head of the pump is 3.7m (for pumps having rated power input exceeding 100W). Maximum water temperature: 95° F.

**CAUTION:** Make sure the pump is properly secured and positioned in a dry area before use.

**WARNING:** The pump must not be used when people are in the water.

**WARNING:** To prevent possible electric shock, do not attempt to plug in the power cord with wet hands or while standing in water.

**CAUTION:** Make certain that all clamps are tightened and that all hoses are connected properly before starting filtration and before each use of the pump.

**WARNING:** Do NOT use this filter pump to vacuum pool.

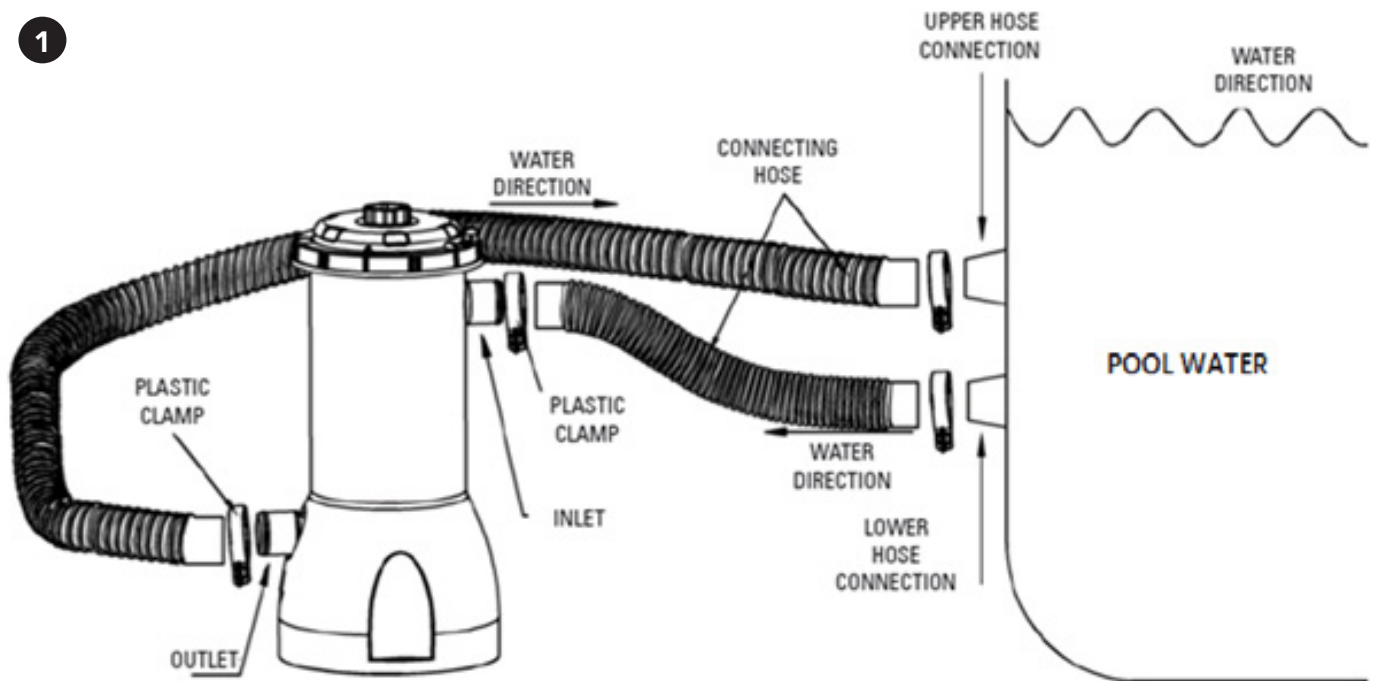
## 2. INSTALLATION INSTRUCTIONS

**NOTE:** Please see the assembly and installation diagrams in Section 3.

1. Set up your pool according to the manufacturer's instructions. Fill it with water according to the instructions in the pool and or skimmer manuals.
  2. Assemble the filter pump per the diagram in Section 3 below.
  3. Position the filter pump unit on the outside of the pool at least 7-8 inches below the highest water level in the pool. This is important to maintain the pump's self-priming capability.
  4. **WARNING:** DO NOT PLACE THE FILTER PUMP INSIDE THE POOL.
  5. Position the filter pump at least 24 inches away from the outside of the pool wall.
  6. Place the paper cartridge into the body of the filter pump as shown.
  7. Make certain that the filter chamber rubber gasket is placed in the seal groove on the top of the filter pump.
  8. Screw the filter chamber cover onto the top of the body of the filter pump. Tighten by hand only.
- NO TOOLS.**
9. Insert the water intake and return water fittings through the pre-attached tubes on the pool wall from the inside of the wall. The water fittings will be sealed when you attach the hoses and hose clamps.
  10. Connect the hoses as shown in the installation diagram below. Attach the hoses to the pump and to the wall of pool. Tighten the hose clamps securely with a screwdriver, but do not overtighten and break the hose clamp.
  11. Once the hoses are properly attached, allow the filter pump chamber to fill with water. See Section 5, #1.
  12. **CAUTION:** NEVER operate the filter pump dry. This can cause damage to the pump motor that is not covered by your warranty.

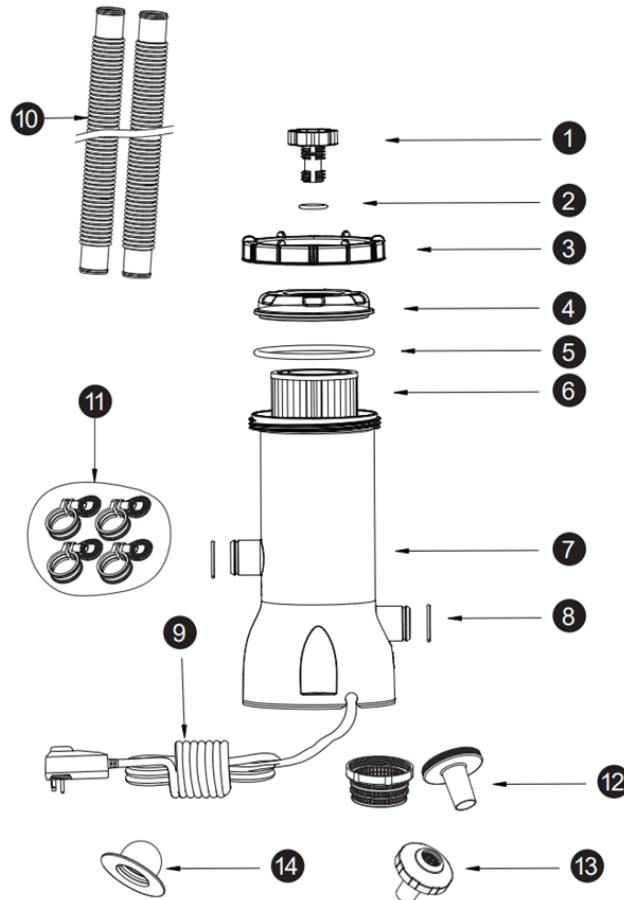
### 3. FILTER ASSEMBLY & INSTALLATION DIAGRAMS

1



## 4. PARTS LIST & DIAGRAM

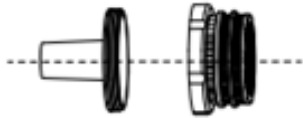
### PARTS DIAGRAM - EASY CLEAN 30 & 50 FILTER SYSTEM



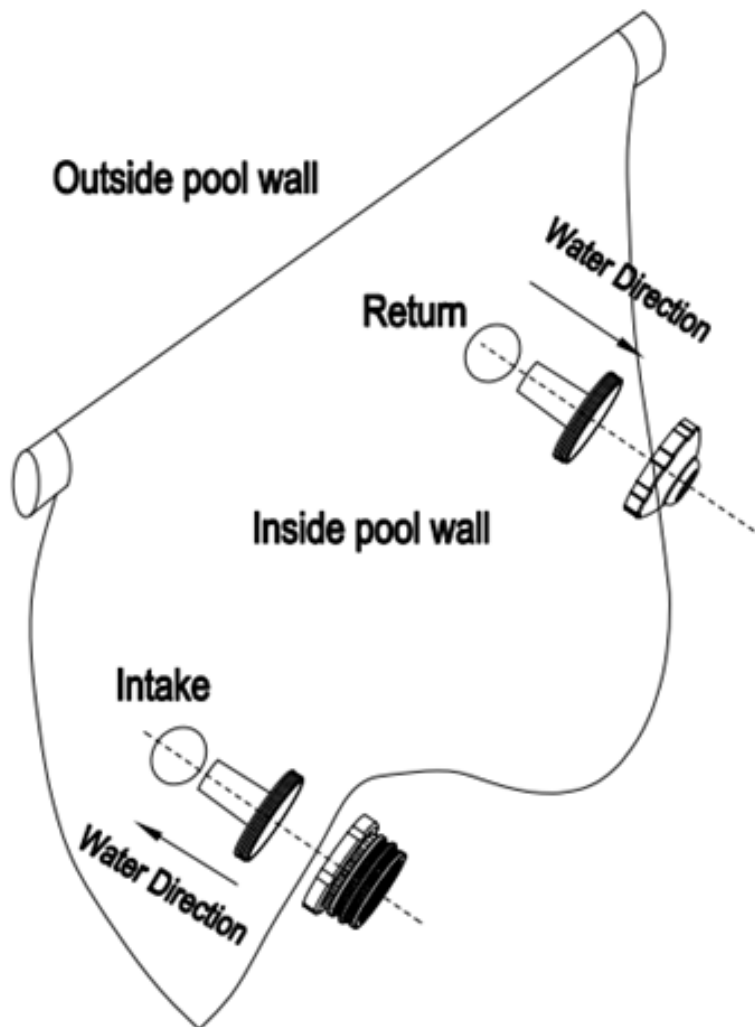
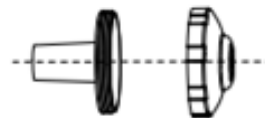
#	Part Description	QTY.	MFG No.	BW No.	For Model #
1	AIR VALVE SCREW	1	ACF160201	NEP20267	NE9883 & NE9884
2	AIR VALVE O-RING	1	ACF160202	NEP20268	NE9883 & NE9884
3	TANK COVER LOCKING RING	1	ACF160203	NEP20269	NE9883 & NE9884
4	TANK COVER	1	ACF160204	NEP20270	NE9883 & NE9884
5	TANK COVER O-RING	1	ACF160205	NEP20271	NE9883 & NE9884
6	FILTER CARTRIDGE (TYPE I)	1	ACF160206	NEP20272	NE9883
	FILTER CARTRIDGE	1	ACF160212	NEP20280	NE9884
7	FILTER TANK	1	ACF160207	NEP20273	NE9883 & NE9884
8	PUMP O-RING	2	ACF160208	MEP20274	NE9883 & NE9884
9	POWER PLUG	1	ACF160209	NEP20275	NE9883 & NE9884
10	PLASTIC HOSE (1.25-FT X 3/8-IN)	2	ACF160210	NEP20276	NE9883 & NE9884
11	PLASTIC CLAMP	4	ACF160211	NEP20277	NE9883 & NE9884
12	WATER INTAKE FITTING KIT	1	90595	NEP20278	NE9883 & NE9884
13	WATER RETURN FITTING KIT	1	91194	NBP6160	NE9883 & NE9884
14	WALL PLUG	2	L1023B	NEP20279	NE9883 & NE9884

## 20. WATER INTAKE & RETURN FITTING INSTALLATION DIAGRAMS

WATER INTAKE FITTING KIT



WATER RETURN FITTING KIT





## 5. OPERATION INSTRUCTIONS

1. The filter pump is self-priming as long as it is positioned at least 7 to 8 inches below the highest water level of the lower hose connection. An air relief valve is located on the top of the pump. Turn the valve knob counter-clockwise, allowing air to escape from the tank. When a small amount of water escapes, close the knob immediately. The pump is now completely primed.
2. Prior to each use, check to ensure that all hose-clamps are tightened.
3. The filter pump must operate in an upright, vertical position.
4. The filter pump must be positioned on a level, stable ground.
5. To keep the pool filtered properly, your pump should run approximately 4 to 6 hours per day. Overuse may cause overheating and/or motor burnout. Use good judgment on extremely hot days.
6. DO NOT run the filter pump continuously for an extended period of time.

## 6. CLEANING & REPLACING FILTER CARTRIDGE

1. Disconnect the filter from the power source.
2. Insert the wall plugs (14) into the water intake (12) and return fittings (13).
3. Open the lid of the filter tank (7) by turning the cover locking ring (3) counter clockwise.
4. Remove the tank cover (4).
5. Remove and inspect the filter cartridge (6). Clean if not too dirty, or replace if cleaning is not effective.
6. Place the cleaned or new filter cartridge into the filter tank.
7. Inspect the tank cover and the tank cover O-ring (5). Clean and lubricate them if necessary.
8. Replace the tank cover O-ring and tank cover.
9. Re-secure the tank cover with the cover locking ring by turning it clockwise. Do not over tighten.
10. Remove the wall plugs, reconnect the filter to power source, and resume filtering the pool.

## 7. GENERAL MAINTENANCE

1. To avoid dangerous or fatal electrical shock, always disconnect the power to the unit before attempting to clean the pump or filter canister.
2. The pump is sealed and requires NO mechanical maintenance or lubrication. Do not attempt to disassemble the pump motor at any time. Doing so will void your warranty.
3. If necessary, clean the outside of the pump only with a mild detergent and water.

## 21. 90-DAY LIMITED WARRANTY

This product is warranted to the original purchaser to be free from defects in material or workmanship for a period of ninety (90) days from the date of the original retail purchase.

This warranty does not cover defects or damage due to improper installation, alteration, accident, or any other event beyond the control of the manufacturer. Defects or damage resulting from misuse, abuse, or negligence will void this warranty. This warranty does not cover scratching or damage that may result from normal usage.

This product is not intended for institutional or commercial use; the manufacturer does not assume any liability for such use. Institutional or commercial use will void this warranty.

This warranty is nontransferable and is expressly limited to the repair or replacement of the defective product. During the warranty period, the manufacturer shall repair or replace defective parts at no cost to the purchaser. Shipping charges and insurance are not covered and are the responsibility of the purchaser. Labor charges and related expenses for removal, installation, or replacement of the product or components are not covered under this warranty.

The manufacturer reserves the right to make substitutions to warranty claims if parts are unavailable or obsolete.

The manufacturer shall not be liable for loss of use of the product or other consequential or incidental costs, expenses, or damages incurred by the consumer of any other use. The user assumes all risk of injury resulting from the use of this product.

This warranty is expressly in lieu of all other warranties, expressed or implied, including warranties of merchantability or fitness for use to the extent permitted by Federal or state law. Neither the manufacturer nor any of its representatives assumes any other liability in connection with this product.

**All warranty claims must be made through the retailer where the product was originally purchased. A purchase receipt or other proof of date of purchase will be required to process all warranty claims. The model number and part numbers found within the assembly instructions will be required when submitting any parts requests or warranty claims.**

For further warranty information or inquiries, please call **1 (800) 759-0977**.

**Or, email [warranty@bluewaveproducts.com](mailto:warranty@bluewaveproducts.com)**

**Blue Wave® Products, Inc.  
101 N Raddant Drive  
Batavia, IL 60510**



SKU# NE9883, NE9884

# NETTOYAGE FACILE 30 & 50

## SYSTÈME DE FILTRATION À

### CARTOUCHE

#### MANUEL D'INSTRUCTIONS



#### ***Des questions, des problèmes, des pièces manquantes ?***

Avant de retourner chez votre détaillant, appelez notre ligne d'assistance aux consommateurs au 1-800-759-0977, du lundi au vendredi. 8h – 17h (CST)

## TABLE DES MATIÈRES

MERCI!.....	3
INFORMATIONS DE SÉCURITÉ.....	3
INSTRUCTIONS DE SÉCURITÉ.....	4
INSTRUCTIONS D'INSTALLATION.....	5
SCHÉMAS D'ASSEMBLAGE ET D'INSTALLATION DU FILTRE.....	6
LISTE DES PIÈCES ET SCHÉMA .....	7
SCHÉMAS D'INSTALLATION DES RACCORDS D'ENTRÉE D'EAU ET DE RETOUR D'EAU.....	8
INSTRUCTIONS D'UTILISATION.....	9
NETTOYAGE ET REMPLACEMENT DE LA CARTOUCHE FILTRANTE .....	9
ENTRETIEN GÉNÉRAL.....	9
GARANTIE LIMITÉE D'UN AN.....	10

## MERCI!

Nous vous remercions d'avoir acheté ce produit. Nous travaillons 24 heures sur 24 et dans le monde entier pour nous assurer que nos produits sont de la meilleure qualité possible. Cependant, dans les rares cas de problèmes lors de l'assemblage ou de l'utilisation de ce produit, veuillez contacter notre service d'assistance téléphonique aux consommateurs au 800-759-0977 pour une assistance immédiate avant de contacter votre détaillant. Veuillez lire les informations de garantie au verso de ces instructions d'assemblage pour plus de détails.

## INFORMATIONS DE SÉCURITÉ

Félicitations, vous avez acheté un système de filtration de haute qualité de Blue Wave®. Ce système de filtration a été fabriqué avec des matériaux de la plus haute qualité et testé en usine pour garantir des années de service sans problème. Pour éviter des blessures potentielles ou des appels de service inutiles, veuillez lire ce manuel en entier avant d'essayer d'assembler, d'utiliser ou d'installer le produit.



### CONSERVEZ CE MANUEL D'INSTRUCTIONS

L'utilisation de pièces de rechange non autorisées annule la garantie.

**ATTENTION INSTALLATEUR!** CE MANUEL CONTIENT DES INFORMATIONS IMPORTANTES CONCERNANT L'INSTALLATION, LE FONCTIONNEMENT ET L'UTILISATION SÉCURITAIRE DE CETTE POMPE ET DOIT ÊTRE FOURNI À L'UTILISATEUR FINAL DE CE PRODUIT. LE FAIT DE NE PAS LIRE ET SUIVRE TOUTES LES INSTRUCTIONS POURRAIT ENTRAÎNER DES BLESSURES GRAVES.

### 3. SCHÉMAS D'ASSEMBLAGE ET D'INSTALLATION DU FILTRE

#### AVERTISSEMENT!

Lisez tous les avertissements et mises en garde indiqués ci-dessous. Le non-respect de ces consignes pourrait entraîner des blessures graves ou mortelles.

**AVERTISSEMENT** : pour réduire les risques de blessures, ne permettez pas aux enfants d'utiliser ou de grimper sur ce produit. Surveillez attentivement les enfants en tout temps. Les composants tels que le système de filtration, les pompes et les appareils de chauffage doivent être positionnés de manière à empêcher les enfants de les utiliser comme moyen d'accéder à la piscine.

**ATTENTION** : Cette pompe est conçue pour être utilisée avec des piscines stockables. Une piscine stockable est construite de manière à pouvoir être facilement démontée pour le stockage et remontée dans son intégrité d'origine.

Bien que ce produit soit conçu pour une utilisation en extérieur, il est fortement conseillé de protéger les composants électriques des intempéries. Choisissez un endroit bien drainé, qui ne sera pas inondé en cas de pluie. Il nécessite une libre circulation de l'air pour le refroidissement. Ne l'installez pas dans un endroit humide ou non ventilé. S'il est installé dans une enceinte extérieure, une ventilation adéquate et une libre circulation de l'air doivent être fournies pour éviter la surchauffe du moteur.

**AVERTISSEMENT** : Les composants de la piscine ont une durée de vie limitée. Tous les composants doivent être inspectés fréquemment et remplacés s'ils sont endommagés, cassés, fissurés, manquants ou mal fixés.

**AVERTISSEMENT** : Risque de choc électrique.

Tension dangereuse. Risque de choc, de brûlure ou de mort.

**AVERTISSEMENT** : Pour réduire le risque de choc électrique, n'utilisez PAS de rallonge pour connecter l'appareil à l'alimentation électrique. Prévoyez une prise de courant correctement située. Il est nécessaire que des électriciens agréés fassent tout le câblage électrique. Tout le câblage électrique DOIT être conforme aux codes et réglementations locaux et nationaux applicables.

**AVERTISSEMENT** : Connectez uniquement à une prise de type mise à la terre protégée par un disjoncteur différentiel de fuite à la terre (DDFT). Contactez un électricien agréé si vous ne pouvez pas vérifier que la prise est protégée par un DDFT. S'il n'y a pas de DDFT, un DDFT DOIT être installé par un électricien agréé.

**AVERTISSEMENT** : Contactez un électricien agréé pour obtenir des informations sur les codes électriques locaux pour les exigences de mise à la terre.

**AVERTISSEMENT** : Pour réduire le risque de choc électrique, remplacez immédiatement un cordon endommagé. N'enterrez PAS un cordon. Localisez le cordon pour éviter les dommages accidentels causés par les tondeuses à gazon, les taille-haies et autres équipements.

**AVERTISSEMENT** : Risque de piégeage par aspiration.

Le piégeage dans les sorties d'aspiration et/ou les couvercles de sortie d'aspiration, qui sont endommagés, cassés, fissurés, manquants ou mal fixés peut causer des blessures graves et/ou la mort en raison des risques de piégeage suivants : Piégeage des cheveux : les cheveux peuvent s'emmêler dans le couvercle de la sortie d'aspiration.

**Piégeage d'un membre** : Un membre inséré dans une ouverture d'une pompe de sortie d'aspiration ou d'un couvercle de sortie d'aspiration qui est endommagé, cassé, fissuré, manquant ou mal fixé peut entraîner le piégeage d'un membre.

**Piégeage par aspiration corporelle** : La pression appliquée sur une grande partie du corps ou des membres peut entraîner un piégeage.

**Piégeage mécanique** : Il est possible que des bijoux, des maillots de bain, des décorations pour les cheveux, des doigts, des orteils ou des articulations soient pris dans une ouverture d'un couvercle de sortie d'aspiration entraînant un piégeage mécanique.

### 3. SCHÉMAS D'ASSEMBLAGE ET D'INSTALLATION DU FILTRE

**AVERTISSEMENT** : Le non-respect des instructions d'installation peut entraîner des blessures graves ou la mort.

**AVERTISSEMENT** : L'utilisation de pièces de rechange non autorisées annule la garantie.

**AVERTISSEMENT** : La hauteur de remontée maximale de la pompe est de 3,7 m (pour les pompes dont la puissance nominale est supérieure à 100 W). Température maximale de l'eau : 95 °F.

**ATTENTION** : Assurez-vous que la pompe est correctement fixée et positionnée dans un endroit sec avant utilisation.

**AVERTISSEMENT** : La pompe ne doit pas être utilisée lorsque des personnes sont dans l'eau.

**AVERTISSEMENT** : Pour éviter tout risque de choc électrique, n'essayez pas de brancher le cordon d'alimentation avec les mains mouillées ou en vous tenant debout dans l'eau.

**ATTENTION** : Assurez-vous que tous les colliers sont serrés et que tous les tuyaux sont correctement connectés avant de commencer la filtration et avant chaque utilisation de la pompe.

**AVERTISSEMENT** : N'utilisez PAS cette pompe de filtration pour aspirer la piscine.

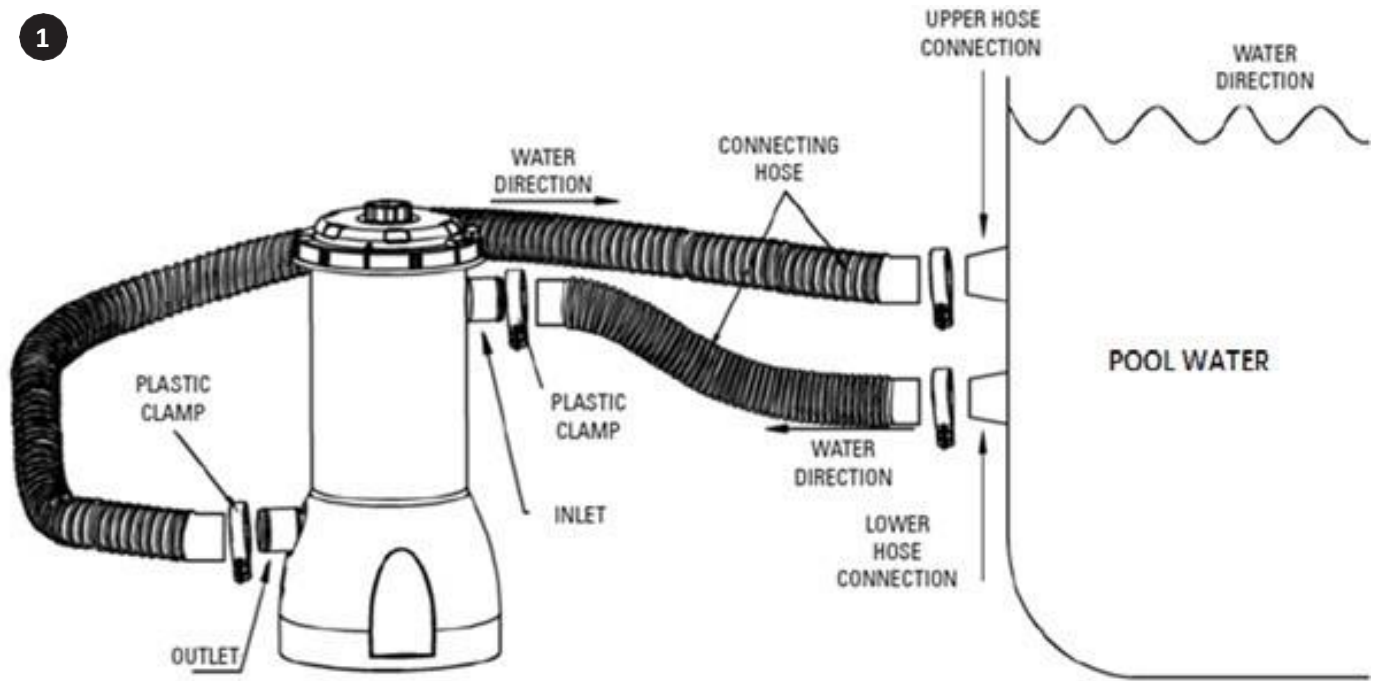
### 2. INSTRUCTIONS D'INSTALLATION

**REMARQUE** : veuillez consulter les schémas d'assemblage et d'installation de la section 3.

1. Installez votre piscine selon les instructions du fabricant. Remplissez-la d'eau selon les instructions des manuels de la piscine et/ou du skimmer.
2. Assemblez la pompe de filtration selon le schéma de la section 3 ci-dessous.
3. Placez l'unité de pompe de filtration à l'extérieur de la piscine à au moins 7 à 8 pouces sous le niveau d'eau le plus élevé dans la piscine. Ceci est important pour maintenir la capacité d'auto-amorçage de la pompe.
4. **AVERTISSEMENT** : NE PAS PLACER LA POMPE FILTRANTE À L'INTÉRIEUR DE LA PISCINE.
5. Placez la pompe de filtration à au moins 24 pouces de l'extérieur de la paroi de la piscine.
6. Placez la cartouche de papier dans le corps de la pompe de filtration comme illustré.
7. Assurez-vous que le joint en caoutchouc de la chambre de filtration est placé dans la rainure d'étanchéité sur le dessus de la pompe de filtration.
8. Vissez le couvercle de la chambre de filtration sur le dessus du corps de la pompe de filtration. Serrez à la main uniquement. **PAS D'OUTILS.**
9. Insérez le corps principal du raccord de retour d'eau à travers le tube pré-attaché près du haut de la paroi de la piscine depuis l'intérieur de la paroi de la piscine. Le raccord de retour d'eau sera scellé lorsque vous attachez le tuyau d'admission et le collier de serrage.
10. Connectez les tuyaux comme indiqué dans le schéma d'installation ci-dessous. Fixez les tuyaux à la pompe et à la paroi de la piscine. Serrez fermement les colliers de serrage avec un tournevis, mais ne serrez pas trop et ne cassez pas le collier de serrage.
11. Une fois les tuyaux correctement fixés, laissez la chambre de la pompe de filtration se remplir d'eau. Voir section 5, #1.
12. **ATTENTION** : NE faites JAMAIS fonctionner la pompe de filtration à sec. Cela peut causer des dommages au moteur de la pompe qui ne sont pas couverts par la garantie. qui ne sont pas couverts par votre garantie.

### 3. SCHÉMAS D'ASSEMBLAGE ET D'INSTALLATION DU FILTRE

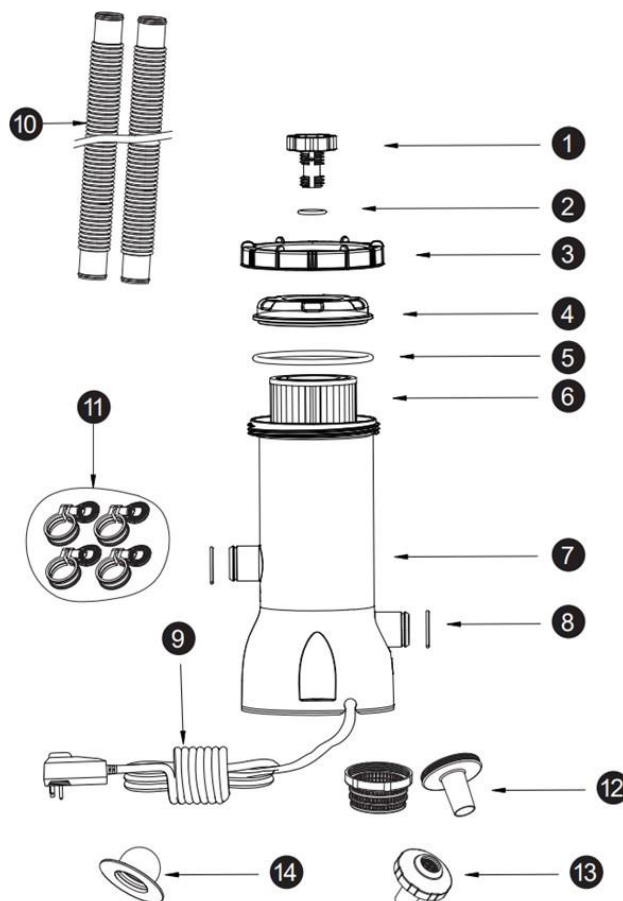
1





## 4. LISTE DES PIÈCES ET SCHÉMA

### SCHÉMA DES PIÈCES - SYSTÈME DE FILTRATION EASY CLEAN 30 & 50



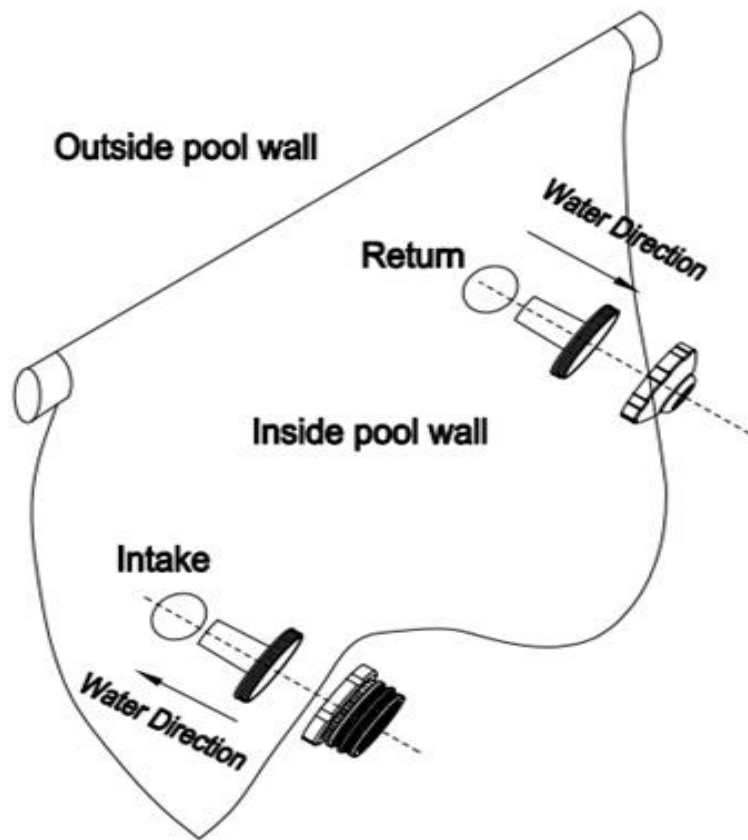
#	Description de la pièce	QTÉ.	MFG No	BW N°	Pour le modèle #
1	VIS DE VANNE D'AIR	1	ACF160201	NEP20267	NE9883 & NE9884
2	JOINT TORIQUE DE VANNE D'AIR	1	ACF160202	NEP20268	NE9883 & NE9884
3	ANNEAU DE VERROUILLAGE DE COUVERCLE DE RÉSERVOIR	1	ACF160203	NEP20269	NE9883 & NE9884
4	COUVERCLE DE RÉSERVOIR	1	ACF160204	NEP20270	NE9883 & NE9884
5	JOINT TORIQUE DU COUVERCLE DU RÉSERVOIR	1	ACF160205	NEP20271	NE9883 & NE9884
6	CARTOUCHE DE FILTRATION	1	ACF160206	NEP20272	NE9883
	CARTOUCHE DE FILTRATION	1	ACF160212	NEP20280	NE9884
7	RÉSERVOIR DE FILTRATION	1	ACF160207	NEP20273	NE9883 & NE9884
8	JOINT TORIQUE POMPE	2	ACF160208	MEP20274	NE9883 & NE9884
9	FICHE D'ALIMENTATION	1	ACF160209	NEP20275	NE9883 & NE9884
10	TUYAU EN PLASTIQUE (1,25 PI X 39 PO)	2	ACF160210	NEP20276	NE9883 & NE9884
11	PINCE PLASTIQUE	4	ACF160211	NEP20277	NE9883 & NE9884
12	KIT DE RACCORD D'ENTRÉE D'EAU	1	90595	NEP20278	NE9883 & NE9884
13	KIT DE RACCORD RETOUR D'EAU	1	91194	NBP6160	NE9883 & NE9884
14	PRISE MURALE	2	L1023B	NEP20279	NE9883 & NE9884

## 20. SCHÉMAS D'INSTALLATION DES RACCORDS D'ENTRÉE D'EAU ET DE RETOUR

**WATER INTAKE FITTING KIT**



**WATER RETURN FITTING KIT**



## 5. INSTRUCTIONS D'UTILISATION

1. La pompe de filtration est auto-amorçante tant qu'elle est positionnée à au moins 7 à 8 pouces au-dessous du niveau d'eau le plus élevé du raccord de tuyau inférieur. Une soupape de décharge d'air est située sur le dessus de la pompe. Tournez le bouton de la valve dans le sens antihoraire, permettant à l'air de s'échapper du réservoir. Lorsqu'une petite quantité d'eau s'échappe, fermez immédiatement le bouton. La pompe est maintenant complètement amorcée.
2. Avant chaque utilisation, vérifiez que tous les colliers de serrage sont serrés.
3. La pompe de filtration doit fonctionner en position verticale.
4. La pompe de filtration doit être placée sur un sol plat et stable.
5. Pour garder la piscine filtrée correctement, votre pompe doit fonctionner environ 4 à 6 heures par jour. Une utilisation excessive peut provoquer une surchauffe et/ou un épuisement du moteur. Faites preuve de bon sens lors des journées extrêmement chaudes.
6. NE PAS faire fonctionner la pompe de filtration en continu pendant une période prolongée.

## 6. NETTOYAGE ET REMPLACEMENT DE LA CARTOUCHE FILTRANTE

1. Débranchez le filtre de la source d'alimentation.
2. Insérez les chevilles murales dans les raccords d'entrée et de retour d'eau.
3. Ouvrez le couvercle du réservoir de filtration (7) en tournant la bague de verrouillage du couvercle (3) dans le sens inverse des aiguilles d'une montre.
4. Retirez le couvercle du réservoir (4).
5. Retirez et inspectez la cartouche filtrante (6). Nettoyer si pas trop sale, ou remplacer si le nettoyage n'est pas efficace.
6. Placez la cartouche filtrante nettoyée ou neuve dans le réservoir de filtration.
7. Inspectez le couvercle du réservoir et le joint torique du couvercle du réservoir. Nettoyez-les et lubrifiez-les si nécessaire.
8. Remplacez le joint torique du couvercle du réservoir et le couvercle du réservoir.
9. Refixez le couvercle du réservoir avec la bague de verrouillage du couvercle en le tournant dans le sens des aiguilles d'une montre. Ne pas trop serrer.
10. Retirez les prises murales, rebranchez le filtre à la source d'alimentation et reprenez le filtrage de la piscine.

## 7. ENTRETIEN GÉNÉRAL

1. Pour éviter un choc électrique dangereux ou mortel, débranchez toujours l'alimentation de l'appareil avant essayer de nettoyer la pompe ou la cartouche filtrante.
2. La pompe est scellée et ne nécessite AUCUN entretien mécanique ou lubrification. N'essayez à aucun moment de démonter le moteur de la pompe. Cela annulera votre garantie.
3. Si nécessaire, nettoyez l'extérieur de la pompe uniquement avec un détergent doux et de l'eau.

## GARANTIE LIMITÉE DE 90 JOURS

La garantie du produit est valide pour l'acheteur original en ce qui a trait aux pièces défectueuses ou à la main-d'oeuvre pour une période de 90 jours de la date d'achat.

Cette garantie n'est couverte pas les dommages causés par accident, par modification, par une installation défectueuse, ou tout autre événement hors du contrôle du fabricant. Tout défaut ou dommage résultant de la négligence ou d'une mauvaise utilisation annule cette garantie. La présente garantie ne couvre pas les égratignures, ou les dommages attribuables à un usage normal.

Ce produit n'est pas destiné à un usage institutionnel ou commercial; le fabricant décline toute responsabilité pour une telle utilisation. Un usage institutionnel ou commercial annule cette garantie.

Cette garantie est non transférable et est expressément limitée à la réparation ou au remplacement du produit défectueux. Au cours de la période de garantie, le fabricant s'engage à remplacer et à réparer les pièces défectueuses sans frais pour l'acheteur. Les frais d'assurance et d'expédition ne sont pas couverts et sont à la charge de l'acheteur. Les frais de main-d'oeuvre et les dépenses liées au déplacement, à l'installation, ou au remplacement du produit ou de ses composantes ne sont pas couverts par cette garantie.

Le fabricant se réserve le droit de faire des substitutions de recours en garantie si la pièce n'est pas disponible ou obsolète.

Le fabricant décline toute responsabilité liée à la perte d'utilisation ainsi que tous les autres coûts directs ou indirects, frais, ou dommages encourus par le consommateur qui aurait été causés par une autre utilisation. L'utilisateur assume tous les risques de dommage résultant de l'utilisation de ce produit.

Cette garantie tient lieu expressément de toute autre garantie, exprimée ou implicite, y compris les garanties de qualité marchande ou d'adaptation à un emploi particulier dans la mesure permise par les lois fédérales ou provinciales. Ni le fabricant, ni aucun de ses représentants n'assument aucune autre responsabilité en rapport avec ce produit.

**Toute réclamation doit être faite par le détaillant où le produit a été acheté. Une facture ou autre preuve d'achat est nécessaire pour traiter toutes les réclamations de garantie. Le numéro de modèle et les numéros de référence figurant dans les instructions d'assemblage seront exigés lors de la soumission de demande de pièces ou de recours en garantie.**

**Pour plus d'information ou pour toute question, veuillez téléphoner au 1 (800) 759-0977  
Ou, email [warranty@bluewaveproducts.com](mailto:warranty@bluewaveproducts.com)**

**Blue Wave Products, Inc.  
101 N. Raddant Rd  
Batavia, IL 60510**