

# Pool Breakdown

## Samoan 18' Round 52"

### NB1642

<p><b><u>FEATURES:</u></b>  Round  Size: 18q  Depth: 52+  30 Year Warranty</p>	<p><b><u>STRUCTURE COMPOSITION:</u></b>  Rugged Steel Frame  Polymer Seat Caps  Protective Wall Coatings</p>
--	--

	Qty	Carton #	Carton Content Description
<input type="checkbox"/>	1	<b>1852-8BN-EX-2</b>	SAMOAN . 8 INCH TOP SEAT; 8 INCH VERTICAL; INSTRUCTIONS; PAPERWORK
<input type="checkbox"/>	1	<b>18-8P-EX-3</b>	SAMOAN . 7 INCH JOINT, 8 INCH SEAT COVER, 8 INCH SEAT COVER BRACKET, SEAT COVER ASSEMBLY BOLT PACKAGE
<input type="checkbox"/>	1	<b>18-5/8RAIL-2</b>	SAMOAN . 5/8 INCH RAIL
<input type="checkbox"/>	1	<b>1852-SNS-W</b>	SAMOAN . WALL (SUNSET GREY PATTERN); PLASTIC EDGING; 52+WALL JOINT PACKAGE

# Carton Breakdown

## Samoan 18' Round 52"

### NB1642

Key #	Qty	Item #	Mfg Part #	Part Description	
<b>FRAME CARTON # 1852-8BN-EX-2</b>					
<input type="checkbox"/>	1	12	NBP1045	2384	8in Vertical (52+High)
<input type="checkbox"/>	6	12	NBP1044	1184	8in Top Seat L=1444mm (56-7/8+)
<input type="checkbox"/>	---	1	-----	0022	Warranty
<input type="checkbox"/>	---	1	-----	0023	Safety Decals
<input type="checkbox"/>	---	1	-----	0024	Parts List + Frame Instruction
<input type="checkbox"/>	---	1	-----	0025	Safety Booklet
<input type="checkbox"/>	---	1	-----	0001	Round Instruction Manual
<b>RAIL CARTON # 18-5/8RAIL-2</b>					
<input type="checkbox"/>	4	24	NBP1055	1618	5/8in Rail L=1431mm (56-3/8+)
<b>FRAME CARTON # 18-8P-EX-3</b>					
<input type="checkbox"/>	2	12	NBP1061	2176	7in Resin Joint - Upper
<input type="checkbox"/>	7	12	NBP1047	2483	8in Seat Cover Bracket
<input type="checkbox"/>	8	12	NBP1046	2482	8in Seat Cover
<input type="checkbox"/>	10	12	NBP1062	2276	7in Resin Joint - Lower
<b>Seat Cover Assembly Bolt Package (Part # 3318 / Order # NBP1032)</b>					
<input type="checkbox"/>	3	144	NBP1032	0341*	#12 Sheet Metal Screw
<input type="checkbox"/>	3	12	NBP1032	2402*	Resin Seat Cover Cap

\*These part #s are not available to purchase separately. They must be purchased as the Seat Cover Assembly Bolt Package, Order # NBP1032

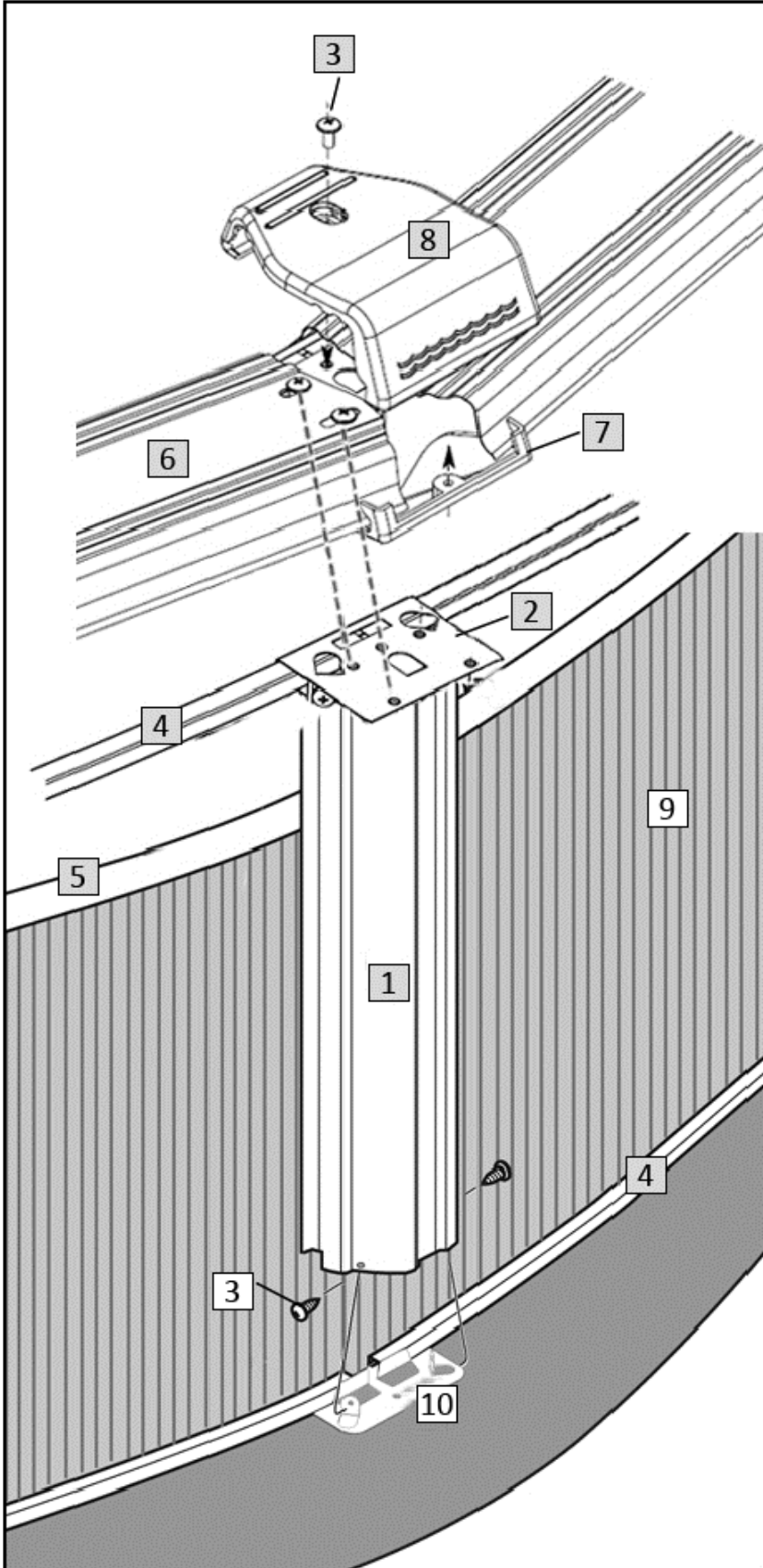
**Carton Breakdown**  
**Samoan 18' Round 52"**  
**NB1642**

Key #	Qty	Item #	Mfg Part #	Part Description	
<b>WALL CARTON # 1852-SNS-W</b>					
<input type="checkbox"/>	5	14	NL107	8100	Plastic Edging
<input type="checkbox"/>	9	1	PC5097	52+Wall	Sunset Grey Wall
<b>52" Wall Joint Bolt Package (Part # 0113, Order # NBP1021)</b>					
<input type="checkbox"/>	3	26	NBP1021	0513*	1/4+x 1/2+Truss Head Screw
<input type="checkbox"/>	3	51	NBP1021	0411*	1/4+Reinforcing Washer
<input type="checkbox"/>	3	26	NBP1021	0611*	1/4+Nut

\*These part #s are not available to purchase separately. They must be purchased as the Wall Joint Bolt Package, Order # NBP1021

# Samoan 18' Round 52"

NB1642



Key #	Part Description	Item #
1	8in Vertical	NBP1045
2	Resin Upper Joint	NBP1061
3	Seat Cover Hardware	NBP1032
3	Wall Joint Hardware	NBP1021
4	5/8+Rail	NBP1055
5	Plastic Edging	NL107
6	8in Top Seat	NBP1044
7	8in Seat Cover Bracket	NBP1047
8	8in Seat Cover	NBP1046
9	Wall	PC5097
10	Resin Lower Joint	NBP1062