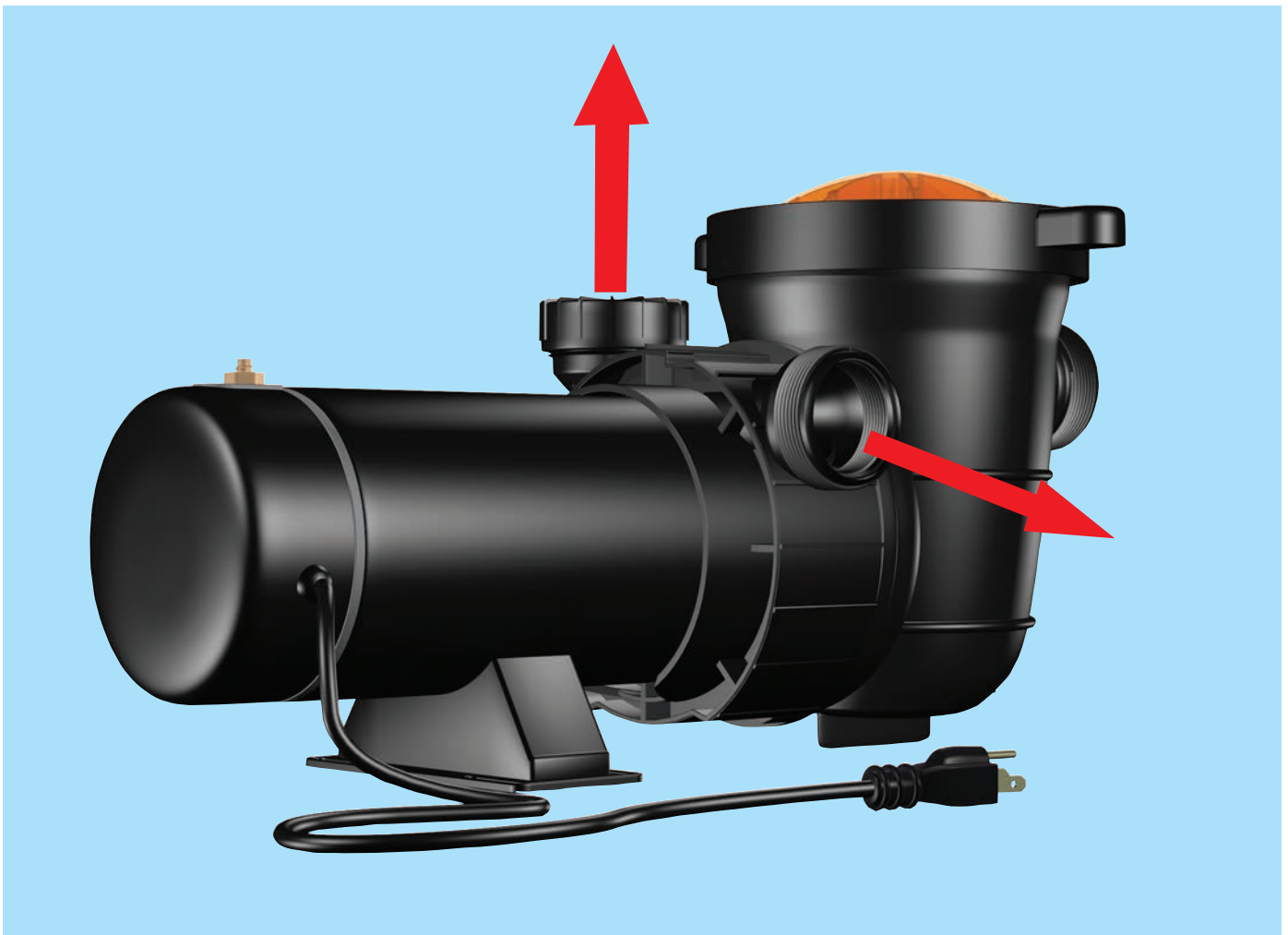


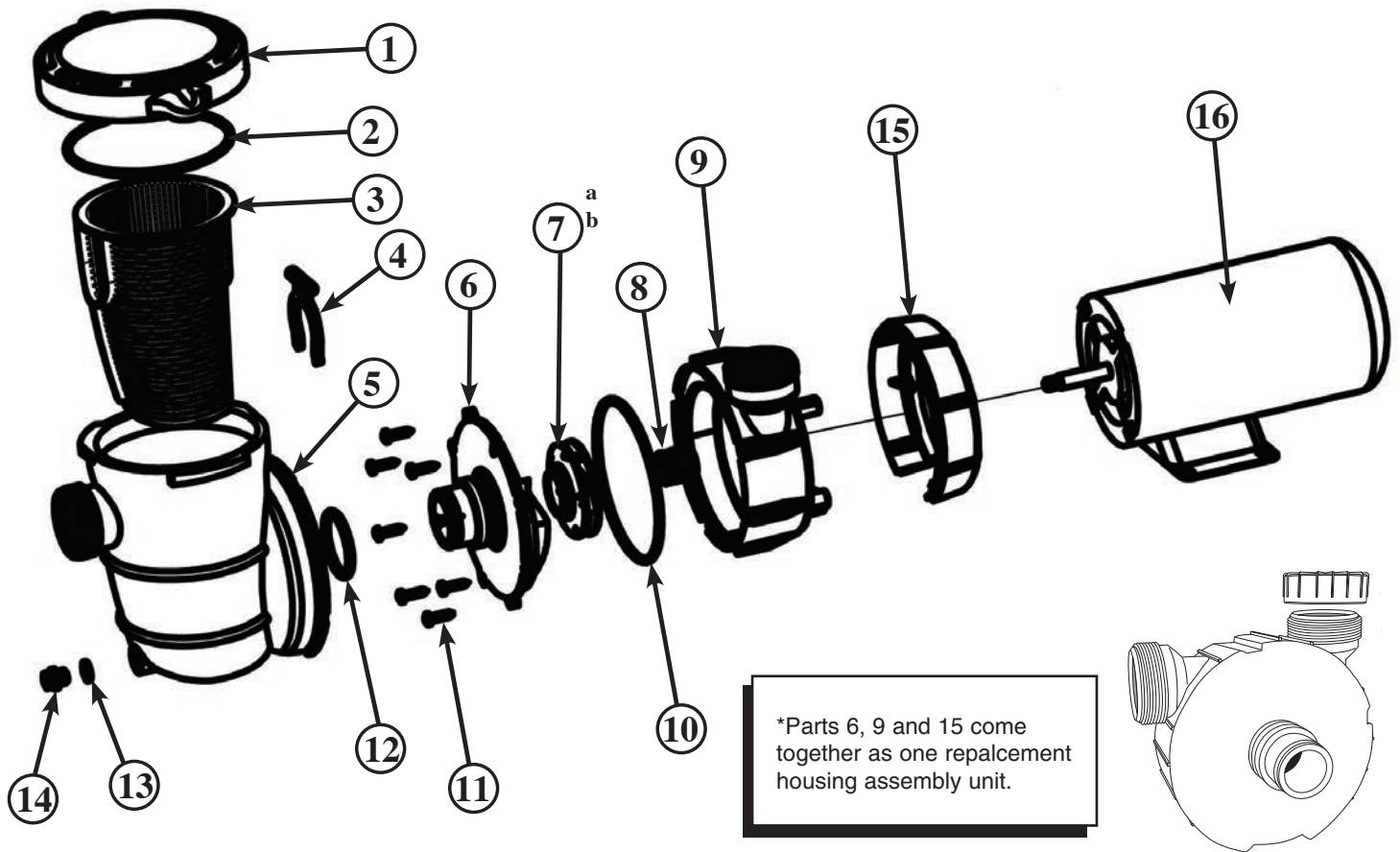
DUAL PORT TIDALWAVE PUMP

INSTRUCTION MANUAL



**READ THIS MANUAL CAREFULLY
BEFORE USING YOUR PUMP**

TIDALWAVE PARTS BREAKDOWN



Ref #	Part #	Manf. #	Description
1	NEP2289	AC 31577	PUMP LID
2	NEP2135	AC 81396	PUMP LID O-RING
3	NEP2136	AC 81434	PUMP BASKET
4	NEP2198	AC 81744	STRAINER CLIP
5	NEP2199	AC 81760	STRAINER HOUSING
6*	NEP2288	AC 31569	PUMP COVER
7a	NEP2201	AC 81795	IMPELLER 1 HP
7b	NEP2202	AC 81817	IMPELLER 1.5 HP
8	NEP6370	AC 81876	SEAL SET
9*	NEP2288	AC 31569	PUMP HOUSING
10	NEP2205	AC 81892	PUMP HOUSING O-RING
11	NEP2206	AC 81914	PUMP SCREWS
12	NEP2207	AC 81922	PUMP COVER O-RING
13	NEP2149	AC 81590	DRAIN PLUG O-RING
14	NEP2150	AC 81620	DRAIN PLUG
15*	NEP2288	AC 31569	MOTOR FLANGE
16	NEP2242	AC 50520	POWER CORD STANDARD

IMPORTANT SAFETY INSTRUCTIONS

NOTE All wiring should be done by a qualified electrician in accordance to the National Electric Code and all Local Codes and ordinances.

When installing and using this electrical equipment, basic safety precautions should ALWAYS be followed.

READ AND FOLLOW ALL INSTRUCTIONS



WARNING

1. To reduce the risk of injury, do not allow children to use this equipment
2. Connect only to a grounding type receptacle that is protected by a ground fault circuit interrupter (GFCI).
3. Do not bury the cord. Locate cord so it would come in contact with lawn mowers, trimmers or other equipment.
4. Do not connect this equipment to an extension cord. To reduce the risk of electric shock, only connect the electric cord to a properly located outlet.
5. To reduce the risk of shock, replace damaged cords immediately. Do not use this equipment if cord appears damaged.
6. To reduce the risk of shock, connect ground wires to the grounding screw located in the motor.
7. To reduce the risk of shock, a bonding connector is provided for bonding to any metal within 5 feet of the swimming pool. All local points should be bonded with #8AWG (8.4mm²) wire.

NOTE To installer and/or operator of the Maxi- Force swimming pool pump: the manufacturer's warranty will be void if the pump is improperly installed and/or operated.

OPERATION AND MAINTENANCE

PUMP LOCATION

1. Locate the pump on a level surface as close to the pool as practical. Consult local codes for minimum distances between pool and pump if applicable.
2. The connection plumbing (hose or rigid pipe) should be direct and as free from turns and bends as possible. Take care not to kink flexible hose. Elbows and other fittings greatly increase friction losses.
3. Place pump on a solid foundation / base which provides a rigid and vibration free support.
4. Protect the pump against flooding and excess moisture. Protect the motor from foreign objects clogging the air circulation around the motor.
5. **NEVER** use gasoline or other flammable liquids or vapors in the vicinity of this pump.

NOTE DO NOT store pool chemicals near this pump.
DO NOT remove any safety labels such as CAUTION / DANGER / WARNING from this pump. Keep labels in good condition and replace any damaged labels.



WARNING

Keep labels in good condition and replace any damaged labels

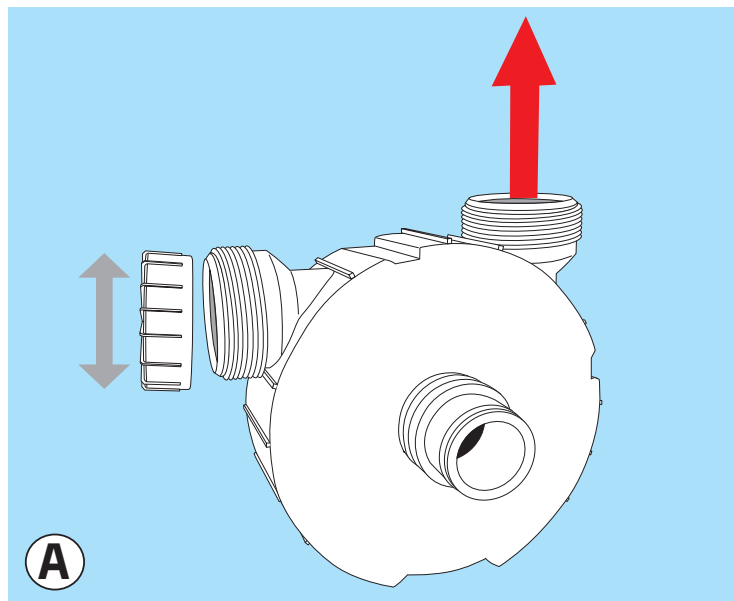
PUMP INSTALLATION

1. When connecting plumbing fittings to the pumps threaded ports, it is recommended that thread seal tape (Teflon tape) be used. If the suction (intake) connection is not sealed correctly the pump will not prime properly and will pump only small volumes of water or no water at all.
2. When installing the pump the suction line (hose or pipe) must be below the swimming pool water level to a point immediately beneath the pump to ensure priming via a flooded suction line. The height between the water line and pump should never be more than 5 feet.
3. Suction and discharge lines should be independently supported at a point near the pump to avoid strains being placed on the pump.
4. It is advisable to install a gate valve or union in both the suction and discharge lines in the event the pump needs servicing or removal.
5. Before starting the pump for the first time remove the clear lid at the front of the pump. Turn the lid counterclockwise to remove. Fill the pump strainer with water until it is level with the suction port opening. Replace the lid making sure the lid is tight and O-Ring is not damaged. Hand tighten only.
6. **BONDING:** as required by the National Electrical Code Article 680-26 the pump must be electrically bonded to the pool structure by a solid copper conductor no smaller than #8 AWG via the external copper bonding lug on the motor.
7. **GROUNDING:** Permanently ground the pump motor using a conductor of appropriate size. Connect to the green headed screw provided inside the motor terminal box.

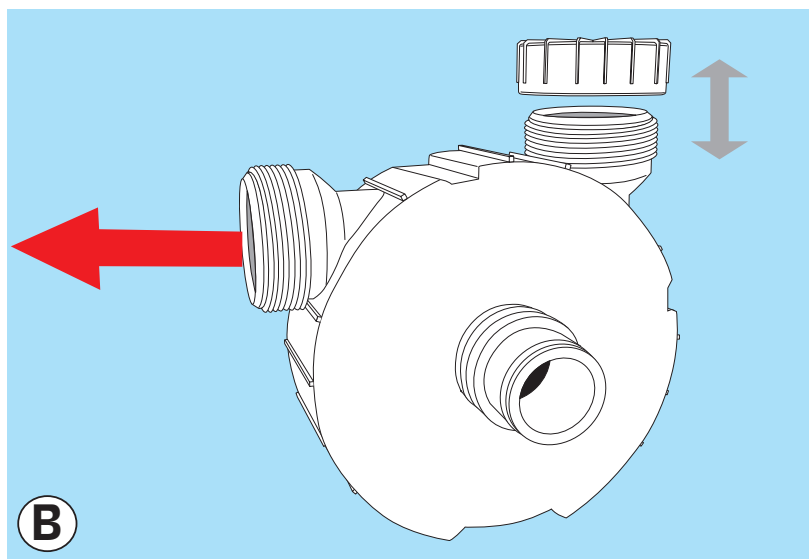
NOTE DO NOT CONNECT MOTOR TO THE ELECTRIC POWER SUPPLY UNTIL IT IS PERMANENTLY GROUNDED.

DUAL PORT INSTALLATION

- Your pump is equipped with a Dual Port Pump Housing
- This means you can utilize a vertical or horizontal discharge for your pump. If you have a sand filter tank, the vertical discharge works best.



- To use the vertical discharge, you need to install the restrictor cap on the horizontal port— See diagram A
- If you have a cartridge or De filter, connecting your pump via the horizontal discharge port is recommended
- You must install the restrictor cap onto the vertical port — See diagram B



- Install the hose connection fitting onto the port selected. Remember to wrap the threads with teflon tape to avoid leaks

PUMP MAINTENANCE

- The pump requires little to no maintenance other than reasonable care and cleaning of the strainer basket on a regular basis. The pump is equipped with a mechanical seal. This seal may eventually come loose of a period of time, depending on running time and water quality. If water continually leaks out, a new mechanical seal should be installed
- See parts diagram for seal location
- The pump is equipped with a rubber O-Ring that seals the strainer basket lid. This O-Ring should be lubricated with water proof lubricant (O-RING LUBE) to ensure proper seal and extend O-Ring life. If O-Ring becomes cracked or worn (flattened) is will become necessary to replace

WINTERIZATION

- In areas subject to freezing temperatures, it is recommended that the pump be disconnected and stored indoors in a warm and dry location. Remove the drain plugs from the pump housing and place them in the strainer basket for storage.

DO NOT BLOCK SUCTION

1. Pump suction is dangerous and can trap and drown or disembowel bathers.
2. Blocking suction with body may cause severe and/or fatal injury
3. Do not operate swimming pools, spas or hot tubs if a suction outlet cover is missing, broken or loose
4. Suction outlet must be replaced if cracked, broken or missing.
5. All suction outlets must have correctly installed screw fastened covers in place.



WARNING

RISK OF ELECTRICAL SHOCK

1. To avoid dangerous or fatal electrical shock, **TURN OFF** power to motor **BEFORE** working on electrical connections.
2. To reduce the risk of electrical shock, unplug motor before working on pump or motor.

TROUBLE SHOOTING GUIDE

PROBLEM	POSSIBLE CAUSE	SOLUTION
Pump will not Prime	Suction Air Leak	<p>Make sure see thru lid and O-Ring are clean, lubed and tightened. Tighten all hoses and pipes on the suction side of the pump.</p> <p>Be sure water level in the swimming pool is high enough to flow through skimmer. Be sure skimmer port is not plugged or blocked</p>
	No Water in Pump	<p>Make sure strainer tank is full of water</p>
	Closed Valves or Blocked Lines	<p>Open all valves in system. Clean skimmer and strainer basket. Check for blockage in impeller</p>
	Low Voltage to Motor	<p>Check voltage at motor. If low, pump will not come up to speed</p>
Motor Does Not Run	No Power to Motor	<p>Check that all power switches are on. Be sure fuse or circuit breaker is properly set. Check motor wiring at terminals</p>
	Pump Jammed	<p>With power off, turn motor shaft. It should spin freely. If not disassemble and repair</p>
Low Flow	Dirty Filter	<p>Backwash filter. When pressure is high you must backwash or clean filter</p> <p>Clean skimmer basket. Clean pump basket</p>
	Suction Air Leak	<p>See above</p>
	Closed Valve	<p>See above</p>
Motor Runs Hot	<p>Motor is designed to run hot to the touch, this is normal. They are equipped with a thermal overload protector which will turn the motor off if there is an overload or high temperature problem. Excessive heat can be caused by:</p>	
	Poor Ventilation	<p>Do not enclose motor, be sure to have a proper air space around motor</p>
	Installed in direct sun	<p>Shield motor from sun's rays</p>