

Pool Breakdown

Martinique 21'x41' Oval 52"

NB2626

<p><u>FEATURES:</u> Oval Size: 21x41q Depth: 52+ 25 Year Warranty</p>	<p><u>STRUCTURE COMPOSITION:</u> Rugged Steel Frame Polymer Seat Caps Protective Wall Coatings</p>
--	--

	Qty	Carton #	Carton Content Description
<input type="checkbox"/>	1	412152-7HN-EX-2	MARTINIQUE . 7 INCH TOP SEAT, 7 INCH VERTICAL, INSTRUCTIONS, PAPERWORK
<input type="checkbox"/>	1	4121-5/8 RAIL-2	MARTINIQUE . 5/8 INCH RAIL
<input type="checkbox"/>	1	4121-7P-EX-3	MARTINIQUE . 7 INCH JOINT, 7 INCH SEAT COVER, 7 INCH SEAT COVER BRACKET, 7 INCH SIDE SEAT COVER, RESIN SIDE UPPER JOINT, SIDE LOWER RAIL JOINT, SEAT COVER ASSEMBLY BOLT PACKAGE
<input type="checkbox"/>	1	412152-RG11-EX-A	MARTINIQUE . SIDE VERTICAL, BRACE, HORIZONTAL SUPPORT, STRAPS, OVAL FRAME BOLT PACKAGE, PRESSURE PLATE
<input type="checkbox"/>	1	412152-TRG-W	MARTINIQUE . WALL (TOURING GRAY), PLASTIC EDGING, 52+WALL JOINT PACKAGE

Carton Breakdown
Martinique 21'x41' Oval 52"
NB2626

Key #	Qty	Item #	Mfg Part #	Part Description	
FRAME CARTON # 412152-7HN-EX-2					
<input type="checkbox"/>	1	22	NBP1050	1174EX	7in Top Seat L=1444mm (56-7/8+) 15ft
<input type="checkbox"/>	2	14	NBP1053	2374EX	7in Vertical (52+High)
<input type="checkbox"/>	---	1	-----	0022	Warranty
<input type="checkbox"/>	---	1	-----	0023	Safety Decals
<input type="checkbox"/>	---	1	-----	0024	Parts List + Frame Instruction
<input type="checkbox"/>	---	1	-----	0025	Safety Booklet
FRAME CARTON # 4121-5/8 RAIL-2					
<input type="checkbox"/>	3	44	NBP1056	1621	5/8in Rail L=1431mm (56-3/8+)
FRAME CARTON # 4121-7P-EX-3					
<input type="checkbox"/>	4	14	NBP1061	2176	7in Resin Joint - Upper
<input type="checkbox"/>	5	14	NBP1062	2276	7in Resin Joint - Lower
<input type="checkbox"/>	6	14	NBP1064	2475EX	7in Seat Cover - Inside
<input type="checkbox"/>	7	14	NBP1065	2476EX	7in Seat Cover - Outside
<input type="checkbox"/>	13	8	NBP1066	3472EX	7in Side Seat Cover
<input type="checkbox"/>	16	8	NBP1070	3234	5/8in Side Lower Rail Joint
<input type="checkbox"/>	19	8	NBP1004	3177	Resin Side Upper Joint
Seat Cover Assembly Bolt Package (Part # 0341 / Order # NBP1111)					
<input type="checkbox"/>	8	232	NBP1111	0341	#12 Sheet Metal Screw

Carton Breakdown

Martinique 21'x41' Oval 52"

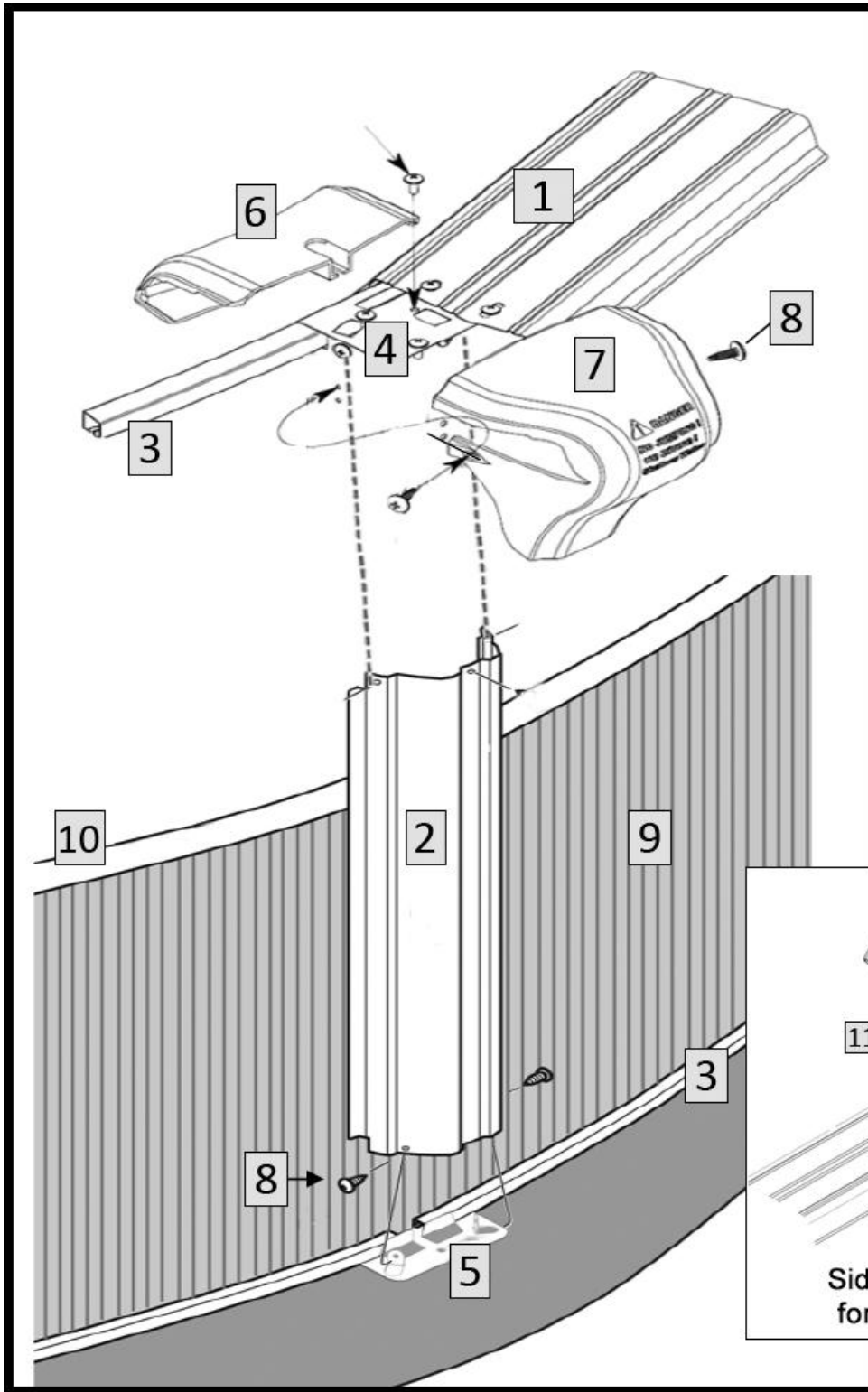
NB2626

Key #	Qty	Item #	Mfg Part #	Part Description	
FRAME CARTON # 412152-RG11-EX-A					
<input type="checkbox"/>	12	8	NBP1006	3314	Side Vertical 52+Wall
<input type="checkbox"/>	14	8	NBP1209	4106	Brace for 52+Wall
<input type="checkbox"/>	15	8	NBP1210	5239	Horizontal Support for 52+Wall
<input type="checkbox"/>	17	12	NBP1016	7285	Middle Strap L=1287mm (50-5/8+)
<input type="checkbox"/>	17	8	NBP1012	7224	End Strap L=1400mm (55-1/8+)
<input type="checkbox"/>	18	8	NBP1011	6254	Pressure Plate L=680mm (26-3/4+)
<input type="checkbox"/>	---	1	-----	-----	Braced Oval Pool Instructions
Braced Oval Frame Bolt Package (Part # 0104 / Order # NBP1000) QTY 4					
<input type="checkbox"/>	11	13	NBP1000	0923*	M8 x 20 Hex Head Bolt
<input type="checkbox"/>	11	13	NBP1000	0423*	10.5mm x 21mm x 2.0mm Plain Washer
<input type="checkbox"/>	11	13	NBP1000	0623*	M8 Nut
<input type="checkbox"/>	11	8	NBP1000	0341*	#12 x 3/4 Sheet Metal Screw
Strap Bolt Package (Part # 0105 / Order # NBP1001) QTY 2					
<input type="checkbox"/>	11	22	NBP1001	0623*	M8 Nut
<input type="checkbox"/>	11	22	NBP1001	0923*	M8 x 20 Hex Head Bolt
Strap Bolt Package (Part # 0106 / Order # NBP1002) QTY 3					
<input type="checkbox"/>	11	27	NBP1002	0623*	M8 Nut
<input type="checkbox"/>	11	27	NBP1002	0923*	M8 x 20 Hex Head Bolt
WALL CARTON # 412152-TRG-W					
<input type="checkbox"/>	9	1	PC5239	52+Wall	Touring Gray Wall
<input type="checkbox"/>	10	25	NL107	8100	Plastic Edging
52" Wall Joint Bolt Package (Part # 0113 / Order # NBP1021)					
<input type="checkbox"/>	---	26	NBP1021	0513*	¼+x ½+Truss Head Screw
<input type="checkbox"/>	---	51	NBP1021	0411*	¼+Reinforcing Washer
<input type="checkbox"/>	---	26	NBP1021	0611*	¼+Nut

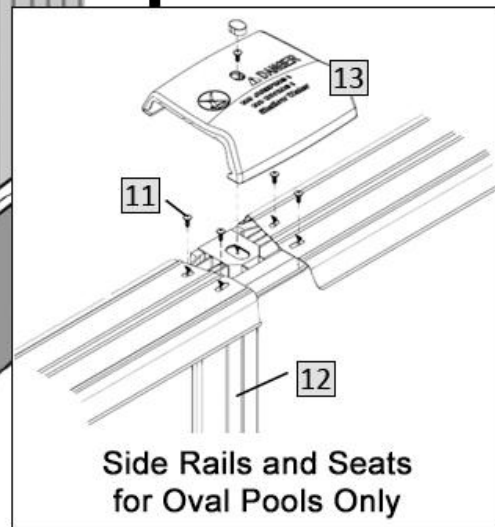
*These part #s are not available to purchase separately. They must be purchased as part of corresponding Bolt Package.

Martinique 21'x41' Oval 52"

NB2626

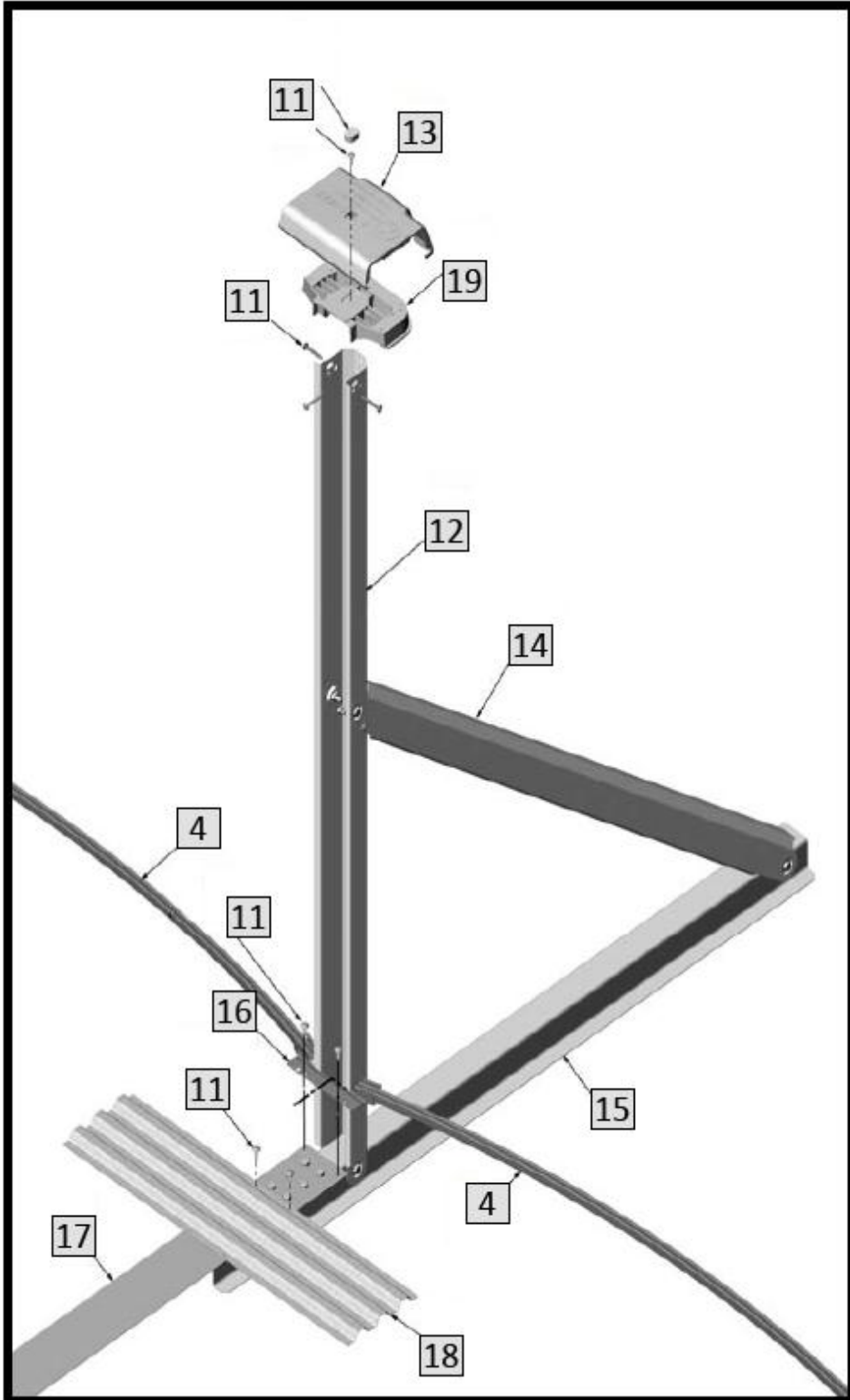


Key #	Part Description	Item #
1	Top Seat	NBP1050
2	7in Vertical	NBP1053
3	5/8+Rail	NBP1056
4	7in Resin Joint - Upper	NBP1061
5	7in Resin Joint - Lower	NBP1062
6	7in Seat Cover - Inside	NBP1064
7	7in Seat Cover - Outside	NBP1065
8	Assembly Hrdwr.	NBP1111
9	Wall	PC5239
---	Wall Joint Hrdwr.	NBP1021
10	Plastic Edging	NL107
11	Braced Oval Frame Hardware	NBP1000
12	7in Side Vertical	NBP1006
13	7in Side Seat Cvr	NBP1066



Martinique 21'x41' Oval 52''

NB2626



Key #	Part Description	Item #
4	5/8" Rail	NBP1056
11	Braced Oval Frame Hardware	NBP1000
11	Strap Bolt Hardware	NBP1001
11	Strap Bolt Hardware	NBP1002
12	7in Side Vertical	NBP1006
13	7in Side Seat Cvr.	NBP1066
14	Brace	NBP1209
15	Horizontal Support	NBP1210
16	Side Lower Rail Joint	NBP1070
17	Middle Strap	NBP1016
17	End Strap	NBP1012
18	Pressure Plate	NBP1011
19	Resin Side Upper Joint	NBP1004