

Pool Breakdown

Samoan 30' Round 52"

NB1646

<p><u>FEATURES:</u> Round Size: 30q Depth: 52+ 30 Year Warranty</p>	<p><u>STRUCTURE COMPOSITION:</u> Rugged Steel Frame Polymer Seat Caps Protective Wall Coatings</p>
--	--

	Qty	Carton #	Carton Content Description
<input type="checkbox"/>	1	3052-8BN-EX-2	SAMOAN . 8 INCH TOP SEAT; 8 INCH VERTICAL; INSTRUCTIONS; PAPERWORK
<input type="checkbox"/>	1	30-8P-EX-3	SAMOAN . 7 INCH JOINT, 8 INCH SEAT COVER, 8 INCH SEAT COVER BRACKET, SEAT COVER ASSEMBLY BOLT PACKAGE
<input type="checkbox"/>	1	30-5/8RAIL-2	SAMOAN . 5/8 INCH RAIL
<input type="checkbox"/>	1	3052-SNS-W	SAMOAN . WALL (SUNSET GREY PATTERN); PLASTIC EDGING; 52+WALL JOINT PACKAGE

Carton Breakdown

Samoan 30' Round 52"

NB1646

Key #	Qty	Item #	Mfg Part #	Part Description	
FRAME CARTON # 3052-8BN-EX-2					
<input type="checkbox"/>	1	20	NBP1045	2384	8in Vertical (52+High)
<input type="checkbox"/>	6	20	NBP1044	1184	8in Top Seat L=1444mm (56-7/8+)
<input type="checkbox"/>	---	1	-----	0022	Warranty
<input type="checkbox"/>	---	1	-----	0023	Safety Decals
<input type="checkbox"/>	---	1	-----	0024	Parts List + Frame Instruction
<input type="checkbox"/>	---	1	-----	0025	Safety Booklet
<input type="checkbox"/>	---	1	-----	0001	Round Instruction Manual
RAIL CARTON # 30-5/8RAIL-2					
<input type="checkbox"/>	4	40	NBP1108	1630	5/8in Rail L=1431mm (56-3/8+)
FRAME CARTON # 30-8P-EX-3					
<input type="checkbox"/>	2	20	NBP1061	2176	7in Resin Joint - Upper
<input type="checkbox"/>	7	20	NBP1047	2483	8in Seat Cover Bracket
<input type="checkbox"/>	8	20	NBP1046	2482	8in Seat Cover
<input type="checkbox"/>	10	20	NBP1062	2276	7in Resin Joint - Lower
Seat Cover Assembly Bolt Package (Part # 3318 / Order # NBP1032)					
<input type="checkbox"/>	3	240	NBP1032	0341*	#12 Sheet Metal Screw
<input type="checkbox"/>	3	20	NBP1032	2402*	Resin Seat Cover Cap

*These part #s are not available to purchase separately. They must be purchased as the Seat Cover Assembly Bolt Package, Order # NBP1032

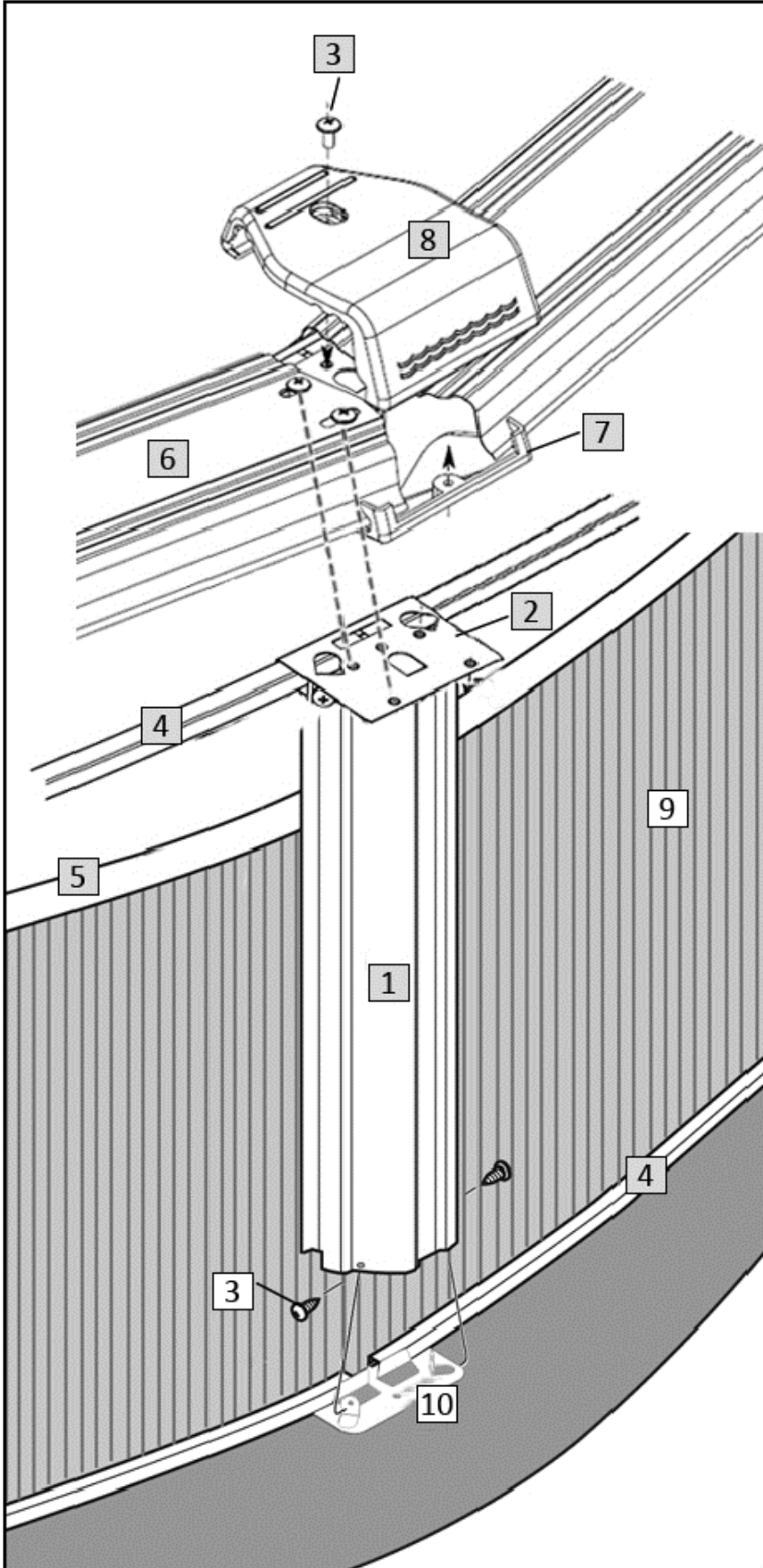
Carton Breakdown
Samoan 30' Round 52"
NB1646

Key #	Qty	Item #	Mfg Part #	Part Description	
WALL CARTON # 3052-SNS-W					
<input type="checkbox"/>	5	22	NL107	8100	Plastic Edging
<input type="checkbox"/>	9	1	PC5169	52+Wall	Sunset Grey Wall
52" Wall Joint Bolt Package (Part # 0113, Order # NBP1021)					
<input type="checkbox"/>	3	26	NBP1021	0513*	¼+x ½+Truss Head Screw
<input type="checkbox"/>	3	51	NBP1021	0411*	¼+Reinforcing Washer
<input type="checkbox"/>	3	26	NBP1021	0611*	¼+Nut

*These part #s are not available to purchase separately. They must be purchased as the Wall Joint Bolt Package, Order # NBP1021

Samoan 30' Round 52"

NB1646



Key #	Part Description	Item #
1	8in Vertical	NBP1045
2	Resin Upper Joint	NBP1061
3	Seat Cover Hardware	NBP1032
3	Wall Joint Hardware	NBP1021
4	5/8+Rail	NBP1108
5	Plastic Edging	NL107
6	8in Top Seat	NBP1044
7	8in Seat Cover Bracket	NBP1047
8	8in Seat Cover	NBP1046
9	Wall	PC5169
10	Resin Lower Joint	NBP1062