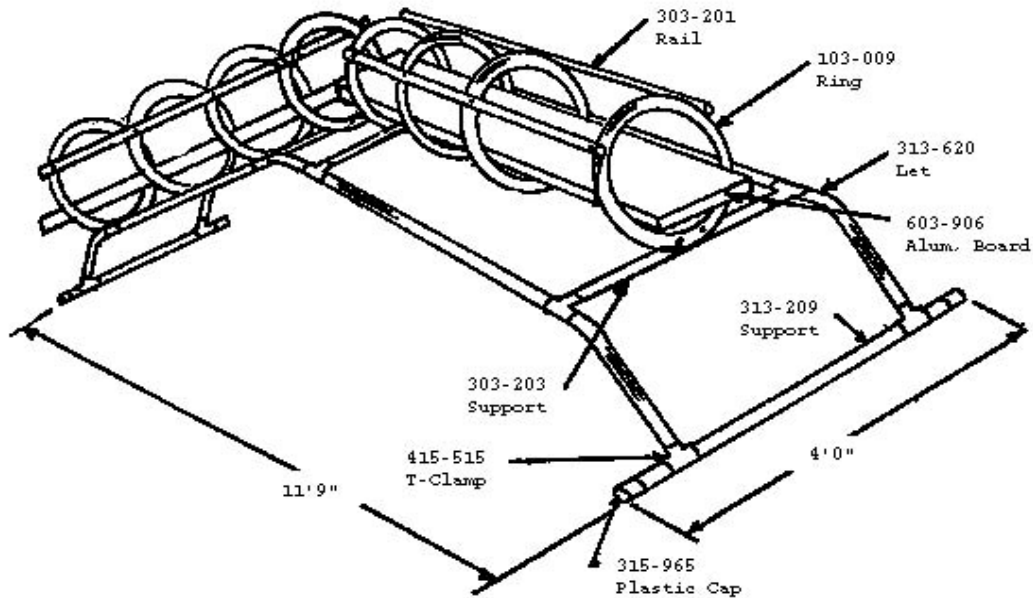


312-102 Up/Down Crawl Thru (Port)

IMPORTANT

PLEASE READ THESE INSTRUCTIONS BEFORE COMMENCING ASSEMBLY. All equipment must be installed in accordance with these instructions. Check your shipment against Bill of Lading and Parts list. Any missing or broken parts must be reported to your distributor within 10 days of receipt of your order. When properly installed and maintained, equipment will give many years of Safe, Trouble-Free use. Periodically check for loose or broken parts. Loose bolts must be tightened and broken parts must be replaced as they can possibly create dangerous situations leading to unnecessary accidents. Resilient Surfacing should be used under all playground equipment. Appropriate publications, available at no charge, from the Consumer Product Safety Commission, include "A Handbook for Public Playground Safety". You can receive your free copy by calling 1-301-504-7908.



PACKING LIST

1	CTN		Hardware Bag	
		8	103-009 Rings	
		8	313-501 Angle	
1	BDL	2	603-906 Aluminum Board	
1	BDL	4	303-203 Supports	
1	BDL	4	303-201 Rails	
1	BDL	2	313-209 Support 4' x 1 5/8"	
1	PIPE	1	313-620 Leg	
1	PIPE	1	313-620 Leg	

HARDWARE BAG

16	605-506	Clips
12 pr	415-515	1 5/8" T-Clamp
8	355-905	1" Black Plastic Plug
4	315-961	1 5/8" Plastic Cap
8	116-545	5/16" x 2 1/2" Button Head Bolt
28	116-535	5/16" x 1 1/2" Button Head Bolt
8	116-530	5/16" x 1" Button Head Bolt
16	126-504	5/16" x 1" Carriage Bolt
16	316-501	5/16" Flat Washer
44	326-501	5/16" Lock Washer
16	226-501	5/16" Lock Nut
46	216-512	5/16" Button Head Nut
2	416-350	3/16" Socket Key
1	805-532	Warning Label
1	805-534	SportsPlay Label
1		Maintenance Checklist

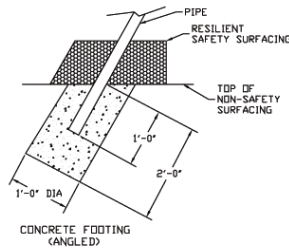
1 CTN	4 BDL	2 PIPE	7 TOTAL PCS	160 # Weight	Class 70
-------	-------	--------	-------------	--------------	----------

GENERAL USE/FALL ZONE & FOOTING RECOMMENDATIONS

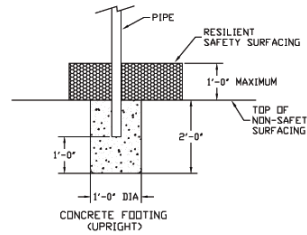
Stationary & Portable equipment - Use/Fall zones should extend a minimum of 6 feet in all directions from the perimeter of the equipment ground space.

Surfacing Material: For some equipment - Use/Fall zones can overlap. See Consumer Product Safety Commission Guidelines. Diameter and depth of footings illustrated are satisfactory in most applications for pipe sizes up to 2 3/8" diameter. Varying soil & climatic conditions may require deeper and heavier footings in some areas. Check local building codes.

DETAIL-Permanent Installation
Angled:



DETAIL-Permanent Installation
Upright:



IF RESILIENT SURFACING IS TO BE LESS THAN 12", THEN ADDITIONAL PIPE SHOULD BE PUT IN CONCRETE TO MAINTAIN PROPER FINISH GRADE FOR EQUIPMENT.

USE AREA AND FOOTING LAYOUT:

312-102 Up/Down Crawl Thru (Port)

Page 3 of 3
Rev. 02/20/2020

GENERAL ASSEMBLY INSTRUCTIONS:

Check all the parts and hardware with the packing list to be sure you have received everything needed to assemble this product. Contact your distributor with notification of any missing or damaged parts. Contact must be made within ten days of receipt of your order.

GENERAL MAINTENANCE INSTRUCTIONS:

Check MONTHLY for loose bolts, damaged or broken parts. Tighten and/or replace immediately.

ASSEMBLY AND INSTALLATION:

NOTE: All threaded ends of bolts protruding beyond nuts must be cut off and/or peened to eliminate sharp edges. No more than two threads should extend beyond face of nut. All washers, "T" nuts, and other fastener hardware used on round pipe or tubing must be hammered down to conform to the curved underlying surface to eliminate catch points. DO NOT tighten nuts more than hand-tight until entire assembly is completed.

- STEP #1: Assemble individual Crawl-Thru units. Drive Plastic Plugs (355-905) in each end of Rails (303-201).
- STEP #2: Rest end of Aluminum Board (603-906) upside-down on two saw horses. Slide Rings (103-009) onto the board.
- STEP #3: Attach rails to Rings. Position end rings equal distance from each end of board.
- STEP #4: Bolt center Angle (313-501) to Aluminum Board (603-906) with Clips (605-506), lining up Angles with center Rings. Attach to center Rings.
- STEP #5: Bolt end Angles to board with clips, lining up with end Rings and bottom supports. Supports are positioned between Angle Brackets & Rings with Rings on outside towards end of board. Attach bottom supports & Rings to Angle Brackets.
- STEP #6: Slip Plastic Caps (535-961) on support ends.
- STEP #7: Assemble Leg Support Structure (313-620 & 313-209). Slip Plastic Caps (315-961) over support (313-209). Attach leg ends (313-620) to Supports.
- STEP #8: Attach individual Crawl-Thru Units to leg support assembly using T-clamps (415-515) as in STEP #7. Aluminum boards should meet at center.
- STEP #9: Plumb & level. Tighten all nuts & bolts until lock washers are flat.