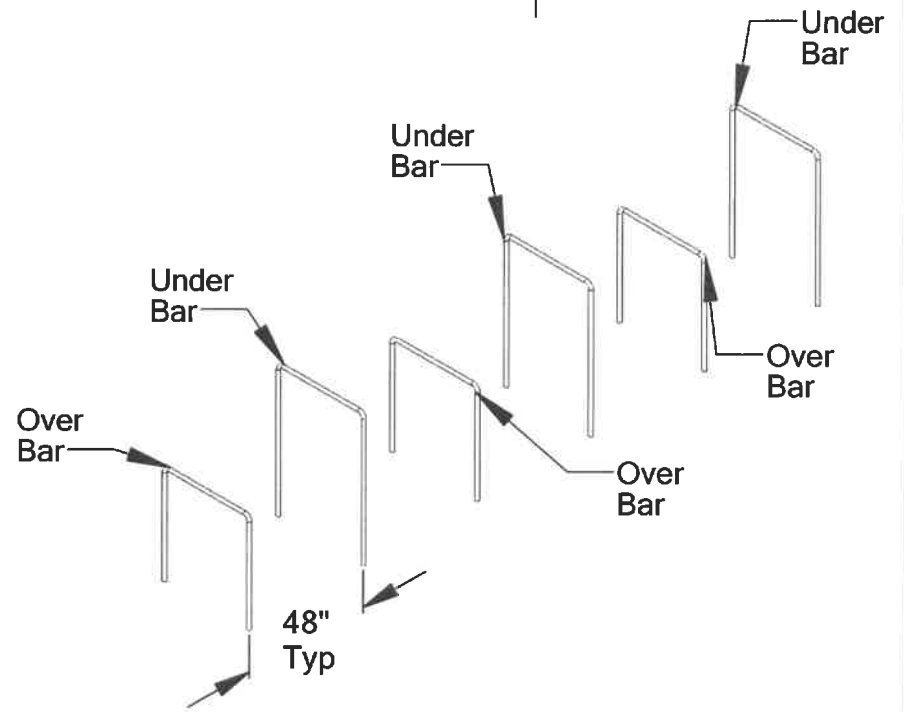
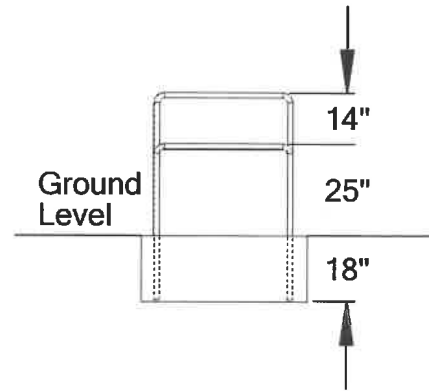


Over/Under Bars

511-143

ITEM NO.	PART NUMBER	DESCRIPTION	QTY.
1	503-102	Under Bars	3
2	503-103	Over Bars	3



5

4

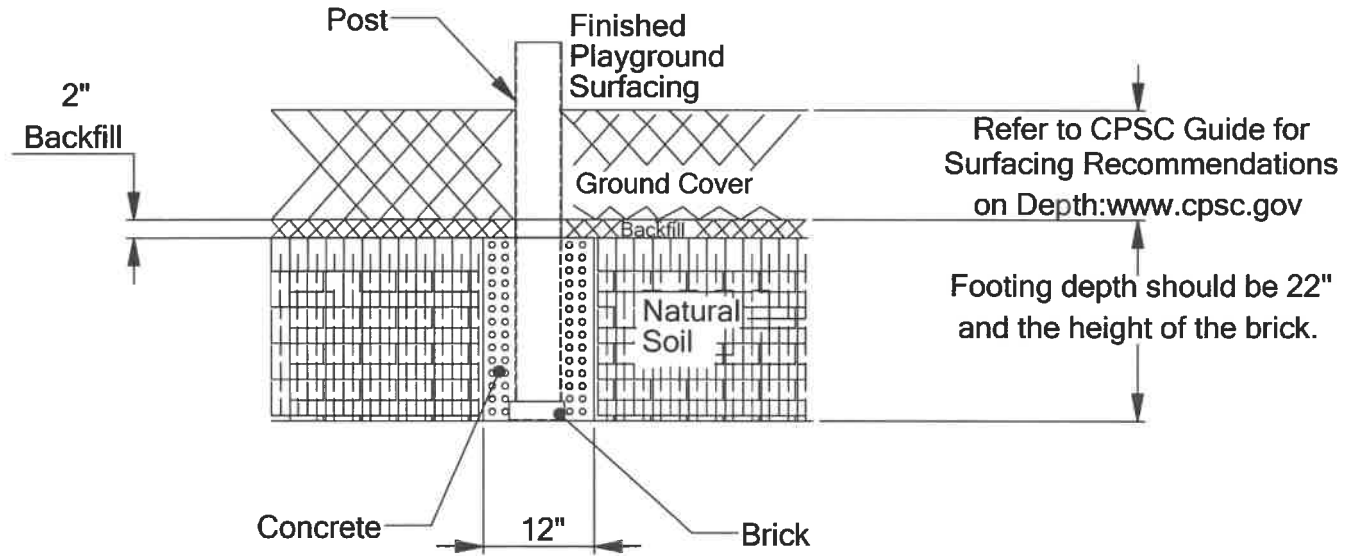
3

2

1

5" Post Footing

Side View of installed Post



When installing posts in the ground, we recommend using a pre-mixed concrete. Quick Crete can be used if you pre-mix. We do not recommend pouring the dry mix into the hole and adding water. For the Over/ Under bars, the hole should be 12" wide and flat bottomed. It is a good recommendation to put a brick or rock at the bottom of the hole.