

902-763 Four Panel Aztec Climber

Designed for ages 5-12

Page 1

Rev. 04/9/2010

IMPORTANT

PLEASE READ THESE INSTRUCTIONS BEFORE COMMENCING ASSEMBLY. Please retain this instruction sheet in your files. It contains important replacement parts information. All equipment must be installed in accordance with these instructions. It is important to use and maintain all public playground equipment properly. Playground equipment, which is improperly maintained, can cause serious injury. Periodical inspections, maintenance, repair and/or replacement of damaged parts is necessary for safe operation of equipment. Appropriate publications, available at no charge, from the Consumer Product Safety Commission, include "A Handbook for Public Playground Safety". You can receive your free copy by calling 1-301-504-0708.



PACKING LIST

1	CTN		Hardware Box
1	PLT	4	915-755 Aztec Plastic Panels
		1	915-763 Vertical Post
		4	915-756 Aztec Panel Ground Anchors

24	116-924
24	116-923
48	116-925
48	905-847
1	805-532
1	805-534
1	

HARDWARE BOX

M10 x 60 Hex Bolts
M10 Nylon Insert Lock Nuts
Flat Washers
Bolt Caps
Warning Label
SportsPlay Label
Maintenance Checklist

1 SKID

935# Weight

Class 70

902-763 Four Panel Aztec Climber

Designed for ages 5-12

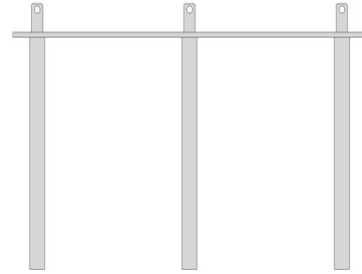
Page 2
Rev. 04/9/2010



Aztec Panel
Qty - 4
915-755



Vertical Post
Qty - 1
915-763

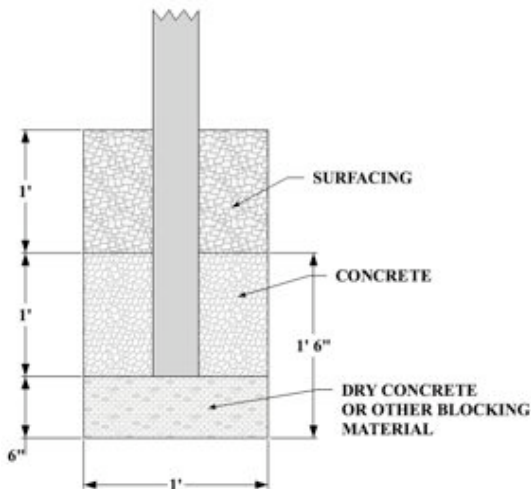


Aztec Ground Anchor
Qty - 4
915-756

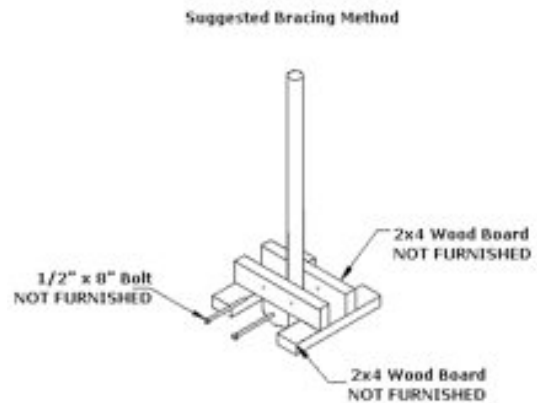
GENERAL FOOTING RECOMMENDATIONS:

Diameter and depth of footings illustrated are satisfactory in most applications for pipe sizes up to 4 1/2" diameter. Varying soil & climatic conditions may require deeper and heavier footings in some areas. Check local building codes.

Detail: Permanent Installation



Detail: Suggested Bracing Method



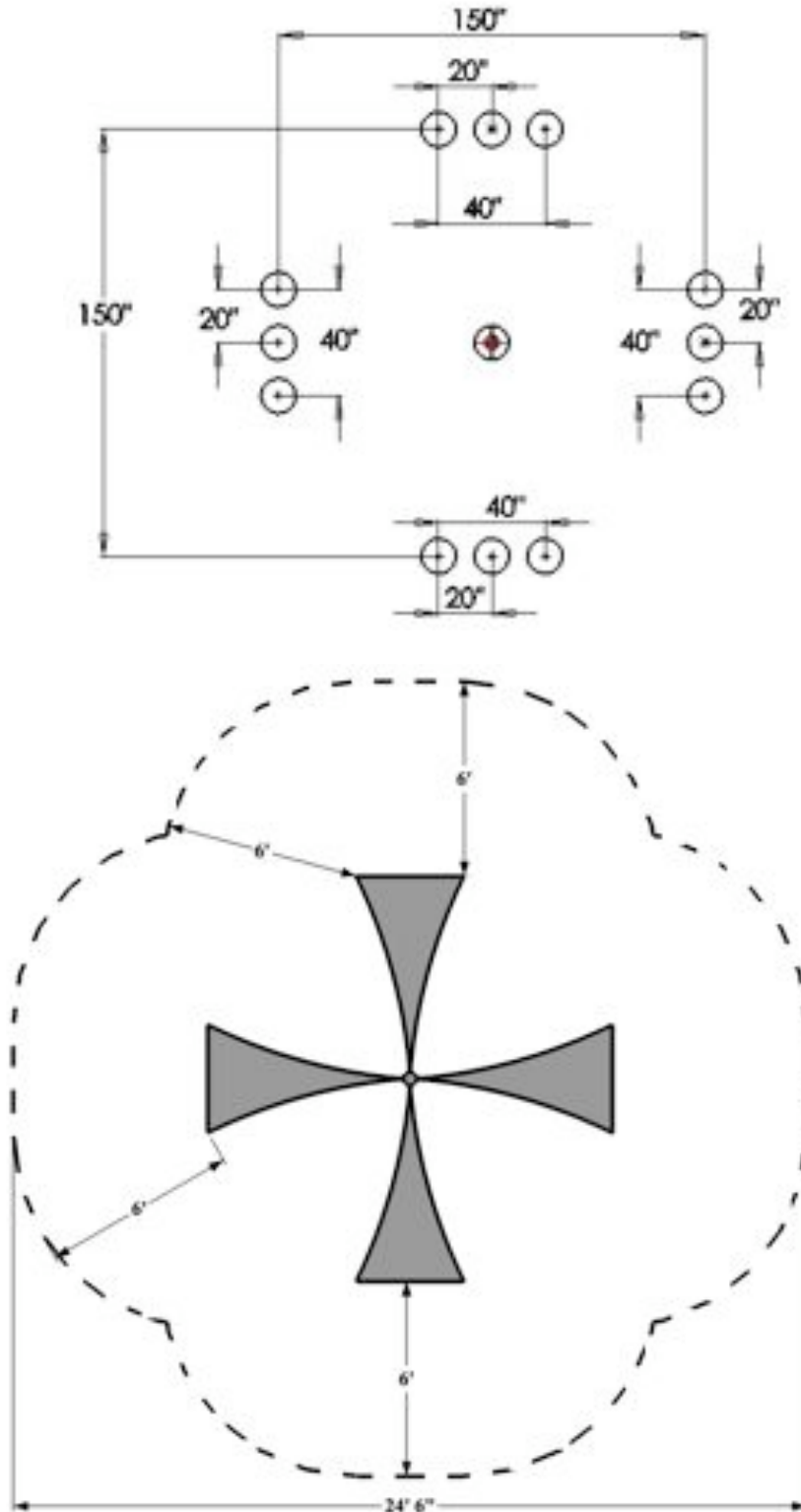
* If resilient surfacing is to be less than 12", then you need to dig a deeper hole and additional pipe should be put in concrete to maintain proper finish grade for equipment.

902-763 Four Panel Aztec Climber

Designed for ages 5-12

Page 3
Rev. 04/9/2010

USE AREA & FOOTING LAYOUT:



902-763 Four Panel Aztec Climber

Designed for ages 5-12

Page 4

Rev. 04/9/2010

GENERAL MAINTENANCE INSTRUCTIONS:

Check MONTHLY for loose bolts, damaged or broken parts. Tighten and/or replace immediately. Replace any parts that show a reduction of 25% from the original size.

GENERAL ASSEMBLY INSTRUCTIONS:

Check all the parts and hardware with the packing list to be sure you have received everything needed to assemble this product. CONTACT YOUR LOCAL DISTRIBUTOR WITH NOTIFICATION OF ANY MISSING OR DAMAGED PARTS.

Contact must be made within ten days of receipt of your order.

Only hand-tighten nuts & bolts on initial assembly. Final tightening should be done EVENLY after final assembly when unit has been plumbed & leveled.

After assembly is complete, ANY ENDS OF BOLTS PROTRUDING BEYOND NUTS SHOULD BE CUT OFF AND/OR PEENED OVER TO REMOVE ANY SHARP EDGES. Go over entire unit to file smooth any sharp edges or projections that may have been caused by rough handling in shipping or installation.

ASSEMBLY AND INSTALLATION:

NOTE: All threaded ends of bolts protruding beyond nuts must be cut off and/or peened to eliminate sharp edges. No more than two threads should extend beyond face of nut. All washers, "T" nuts, and other fastener hardware used on round pipe or tubing must be hammered down to conform to the curved underlying surface to eliminate catch points. All Bolts must be covered with Bolt Caps and Covers

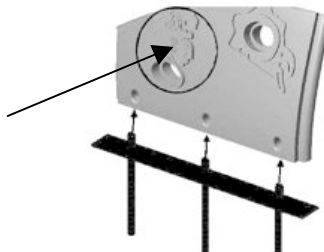
STEP #1: Using Footing Diagram as a guide, mark and dig footing holes. Footing holes are to be 1'-6" deep (6" of dry concrete at the bottom of the hole allowing 12 inches of the post to be put into the hole), depending upon amount of resilient safety surfacing used, local climate and soil structure, and topography of land.

Note: The slanted tabs on the ground anchor should slant in towards the center post.

STEP #2: Attach the Aztec Plastic Panel to the Aztec Panel Ground Anchor by placing the Plastic Panels over the tabs of Ground Anchors.

Note: The King Figure must be on the lower left.

NOTE: King figure should face away from center post and at lower left corner by ground anchor.



902-763 Four Panel Aztec Climber

Designed for ages 5-12

Page 5

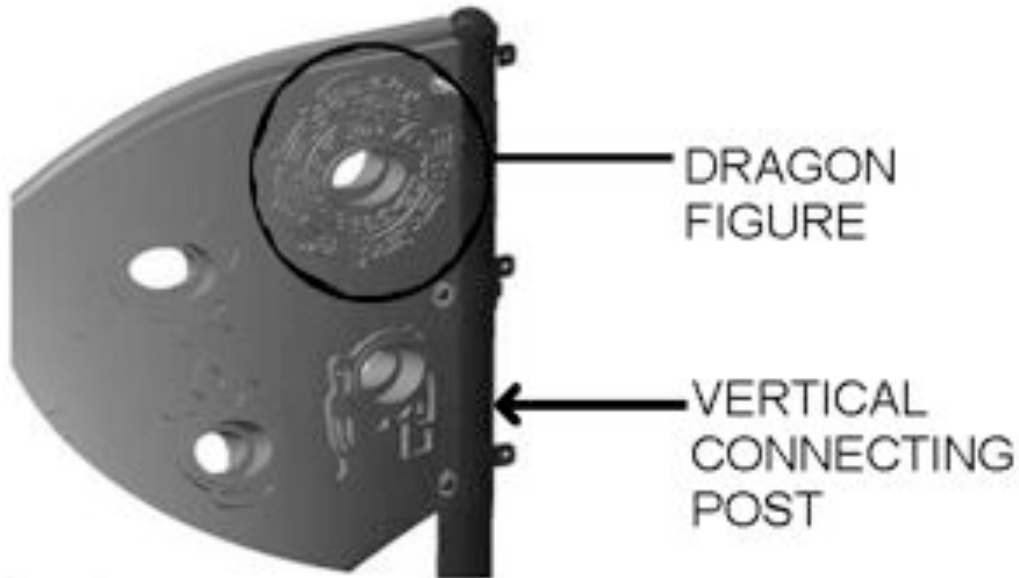
Rev. 04/9/2010

STEP #3: Secure the Plastic Panel to the Ground Anchor by placing a bolt and washer in a bolt cap and pushing through the aligned hole in the Plastic Panel and Ground Anchor (see drawing at the bottom of this page for bolt configuration). Fasten by placing a washer and nut in a second bolt cap and securing to the bolt from the opposite side.

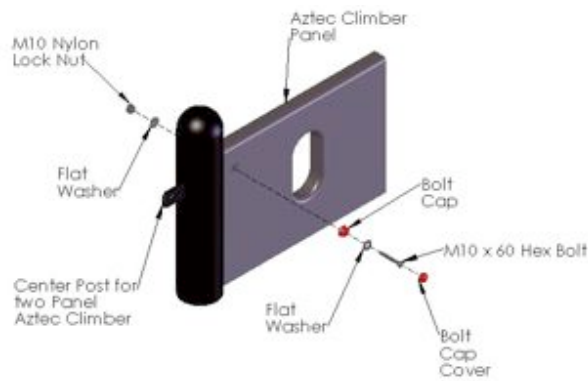
STEP #4: Repeat Steps 1 and 2 with other 3 Ground Anchors and Plastic Panels.

STEP #5: Attach the other side of the Aztec Plastic Panel to the Vertical Connecting Post utilizing the same fastening technique as was used in steps 1 and 2.

Note: The Dragon Figure must be at the top of the Panel



STEP #6: Attach the other Aztec Panels to the Vertical connecting post and ground anchor following the same steps.



902-763 Four Panel Aztec Climber

Designed for ages 5-12

Page 6

Rev. 04/9/2010

STEP #7: Plumb and level the entire unit. Fully snug all fasteners and push bolt caps into the bolt covers. Pour concrete with a slight dome at the top to help keep water away from the post. Wait 48 hours before removing the braces. Install resilient safety surfacing.

STEP #8: Attach Warning Label and Manufacturer's Identification Label to a clean surface. The Labels should be attached in a location where they are clearly visible and legible and away from normal hand and foot placement areas. The Labels must be replaced if they become illegible, destroyed or removed. Contact your distributor for replacement Labels.