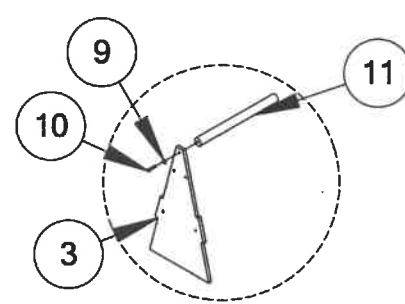
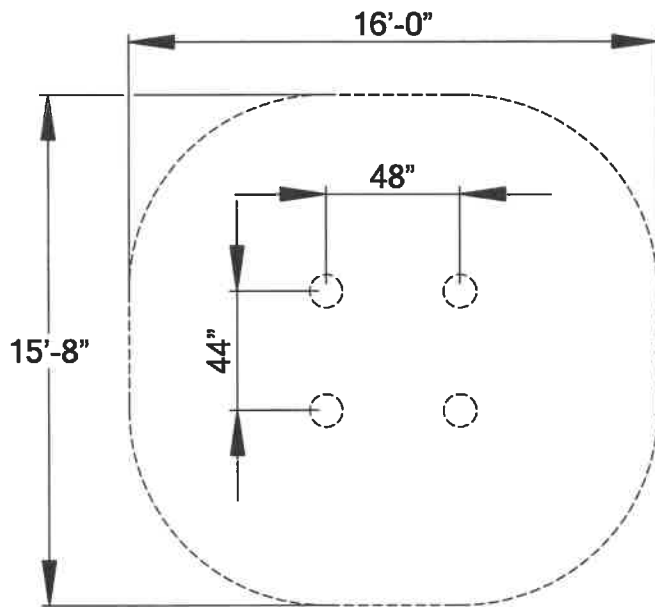


TWO SIDED CLIMBER CHALLENGE

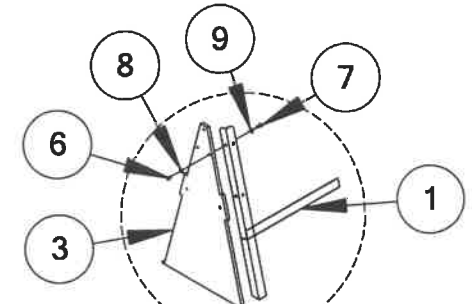
902-884

ITEM NO.	PART NUMBER	DESCRIPTION	QTY.
1	913-353	Frame For Challenge Climber	2
2	904-811	Challenge Climber Main Panels	2
3	913-369	Challenge Climber Sm. Tri Panels	2
4	336-042	Challenge Climber Rope	2
5	913-354	Challenge Climber Top Support	1
6	116-529	5/16" x 3/4" Buttonhead Bolt	28
7	216-512	5/16" x 1" Buttonhead Nut	28
8	316-901	5/16" Flat Washer	28
9	316-601	3/8" Flat Washer	30
10	126-707BPS	3/8" x 1-1/2" Buttonhead Bolt	2
11	416-350	3/16" Socket Key	2
12	416-505	7/32" Long Arm Socket Key	1
13	516-400	Lock Tite	3

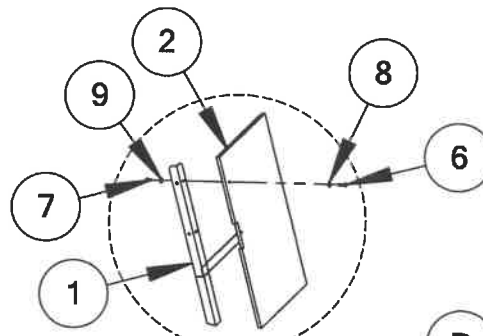
FOOTING DIAGRAM



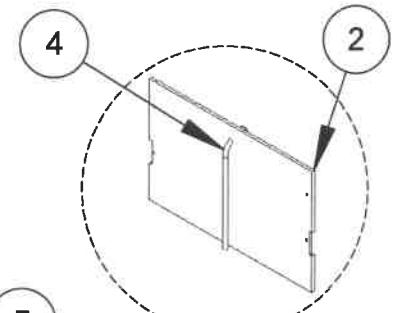
DETAIL A



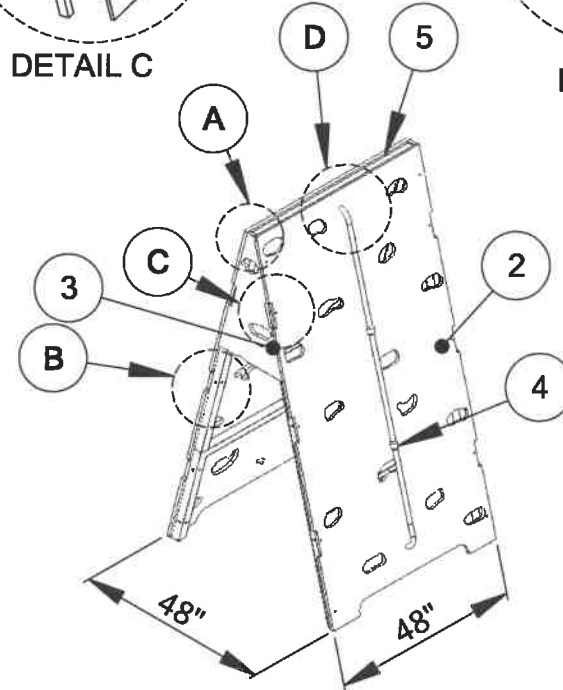
DETAIL B



DETAIL C



DETAIL D



2 SIDED CLIMBER CHALLENGE

902-884

IMPORTANT

PLEASE RETAIN THIS INSTRUCTION IN YOUR FILES. IT CONTAINS IMPORTANT REPLACEMENT PARTS INFORMATION. ALL EQUIPMENT SHOULD BE INSTALLED IN ACCORDANCE WITH THESE INSTRUCTIONS.

IT IS IMPORTANT TO USE AND MAINTAIN ALL PUBLIC PLAYGROUND EQUIPMENT PROPERLY. PLAYGROUND EQUIPMENT, WHICH IS IMPROPERLY MAINTAINED, CAN CAUSE SERIOUS INJURY. PERIODICAL INSPECTIONS, MAINTENANCE, REPAIR AND/OR REPLACEMENT OF DAMAGED PARTS IS NECESSARY FOR SAFE OPERATION OF EQUIPMENT AND SAFETY OF USERS. RESILIENT SURFACING SHOULD BE USED UNDER ALL PLAYGROUND EQUIPMENT. APPROPRIATE PUBLICATION, AVAILABLE AT NO CHARGE, FROM THE CONSUMER PRODUCTS SAFETY COMMISSION, INCLUDE "A HANDBOOK FOR PUBLIC PLAYGROUND SAFETY." YOU CAN RECEIVE YOUR FREE COPY BY CALLING 1-301-504-7908

GENERAL ASSEMBLY INSTRUCTIONS:

Check all the parts and hardware with the packing list to be sure you have received everything needed to assemble this product.

CONTACT YOUR LOCAL DISTRIBUTOR WITH NOTIFICATION OF ANY MISSING OR DAMAGED PARTS. Contact must be made

within 10 days of receipt of your order.

Only hand-tighten nuts and bolts on initial assembly. Final tightening should be done EVENLY after final assembly when unit has been plumbed and leveled.

GENERAL MAINTENANCE INSTRUCTIONS:

Check MONTHLY for loose bolts, damaged, or broken parts. Tighten and/or replace immediately.

SPECIFIC ASSEMBLY INSTRUCTIONS:

1. Locate front panel and attach to frame to using 5/16" x 3/4" buttonhead bolts, 5/16" x 1" buttonhead nuts, 5/16" washers and 3/8" washers as needed.
2. Attach the back panel to the frame using 5/16" x 3/4" and 5/16" x 1-1/4" buttonhead bolts, 5/16" x 1" buttonhead nuts, 5/16" flat washers, and 3/8" washers.
3. Tie Rope through 1" holes at top and bottom of each front & back panel. Make sure rope is snug enough you can't make a loop after it has been secured
4. Next Locate Triangle Side Panels and attach to frame using 5/16" x 3/4" buttonhead bolts, 5/16" x 1" buttonhead nuts, 5/16" washers, and 3/8" washers.
5. Locate the top pipe and install it using the 3/8" x 1-1/2" buttonhead bolts and 3/8" washers to the triangle side panels. (See Detail A).
6. Tighten all Bolts.
7. Using 3 or more people stand climber challenge up and place in footing holes.

SHEET 2 of 2