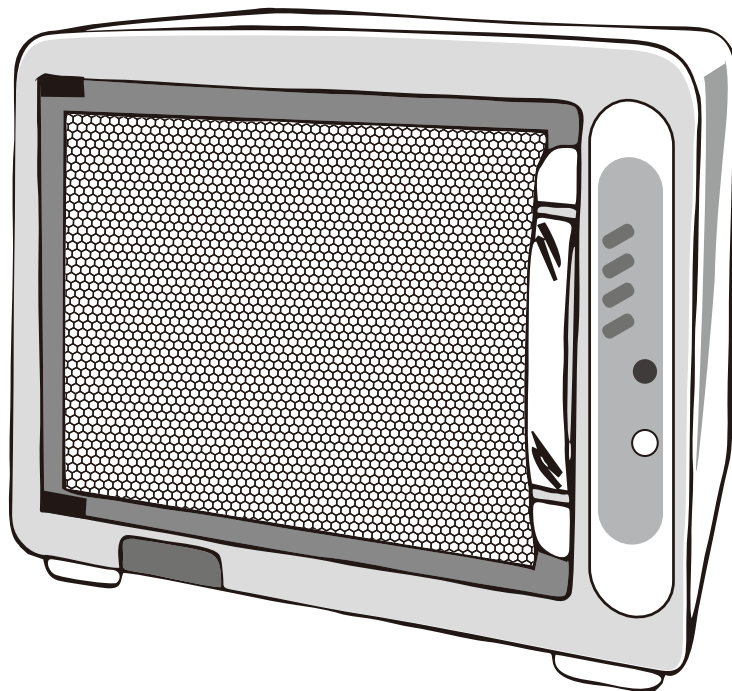




ELECTRIC DISH DRYER & SANITIZER
Model: SD-1533

INSTRUCTIONS MANUAL



THANK YOU FOR YOUR PURCHASE.
PLEASE READ THIS MANUAL THOROUGHLY BEFORE USE AND KEEP IN
A SAFE PLACE FOR FUTURE REFERENCES.

IMPORTANT SAFETY INSTRUCTIONS

READ AND SAVE THESE SAFETY INSTRUCTIONS BEFORE USE.

When using electrical appliances, basic precautions should always be followed to reduce the risk of fire, electric shock, and injury to persons, including the following:

1. Always place this appliance on a firm, flat and level surface.
2. Place this appliance in an area where it is not accessible to children. Do not cover it.
3. Do not place near any heat sources such as stoves, radiators, heaters or high moist, freezing areas .
4. Do not move the appliance while it is operating.
5. Do not over load or place too many heavy objects inside.
6. Do not place painted or non-heat resistant items into the appliance, which may discolor and/or deform.
7. Use only supplied racks. Do not use non-genuine layer rack for fear of deformation.
8. Do not block the heating outlet. This will damage the device itself.
9. Do not immerse any part of the appliance in water or other liquid. Do not pour water onto the unit.
10. Do not place items on top of the appliance.
11. Avoid opening the door too frequently during operation to maintain product life.
12. This appliance produces high heat (154°F). Do not place hand into the unit or touch inside surfaces during and immediately after use.
13. DO NOT touch the heating outlet. Heating can cause burns.
14. Please use dedicated socket with specified voltage. Before use, please check rating and confirm voltage.
15. This appliance is not intended for use by person (including children) without operation knowledge or control ability, unless they have been given supervision. The person who operates this appliance is responsible for its safety and usage.
16. Children should be supervised to ensure that they do not play with the appliance.
17. Never pull the plug by the cord.

BEFORE using the appliance, check the power cord for any signs of damage. If the cord is found to be damaged, DO NOT USE and contact Sunpentown.

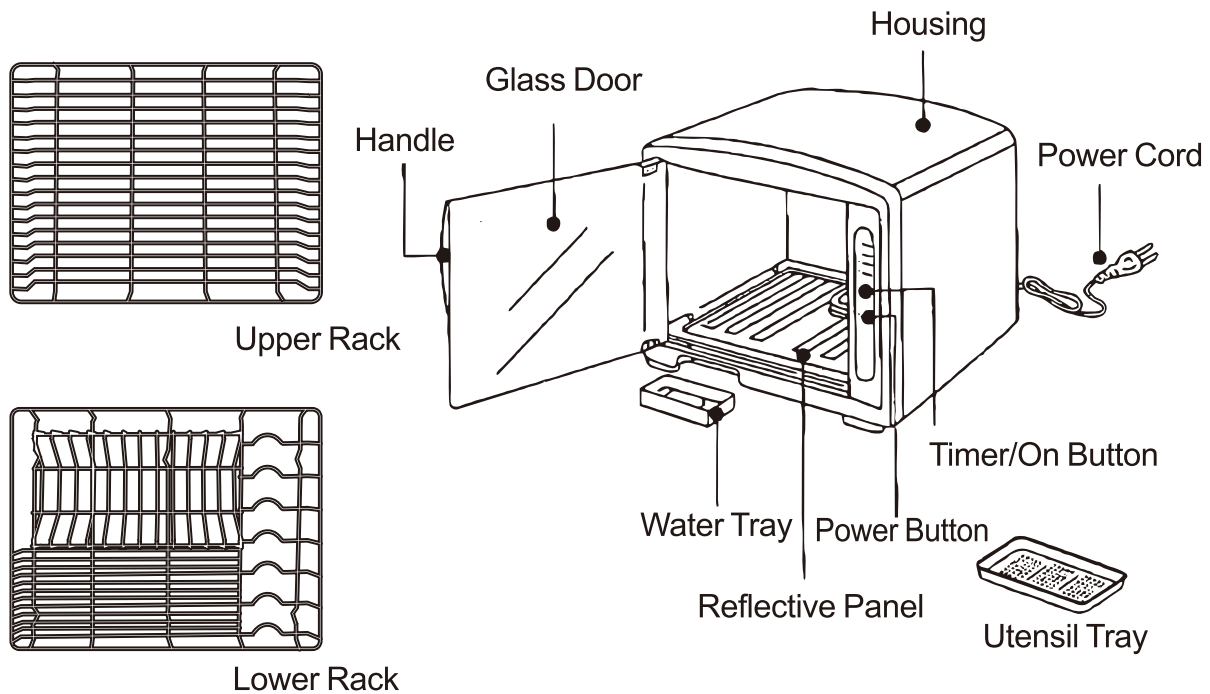
This appliance has a polarized plug (one blade is wider than the other). To reduce the risk of shock, this plug is intended to fit only one way in a polarized outlet. If the plug does not fit fully in the outlet, reverse the plug. If it still does not fit, contact a qualified electrician. DO NOT ATTEMPT TO DEFEAT THIS SAFETY FEATURE.

A loose fit between the AC outlet (receptacle) and plug may cause overheating and a distortion of the plug. Contact a qualified electrician to replace loose or worn outlet.

PRODUCT FEATURES

- MICROCOMPUTER TOUCH: 4-Step Timer (10 – 20 – 40 – 80 minutes)
- DUAL-TIER: Maximized storage capacity.
- HOT AIR AUXILIARY DRYING: Uses hot air as drying function and sterilization.
- TEMPERED GLASS DOOR: Heat resistant glass door, safe and secure.
- STAINLESS STEEL interior and racks.
- FAIL-SAFE DEVICE: during operation, power will automatically cut off when glass door is opened.
- HYGIENIC DESIGN: Air tight door seal keeps out insects and pests.

NAME OF PARTS



OPERATION

- Select a firm, level, and flat location - at least six inches (15 cm) from wall or cabinets for proper airflow.
- Plug the appliance into a polarized 120V outlet. **DO NOT FORCE THE POLARIZED PLUG INTO THE OUTLET;** it will fit one way only.

CAUTION: DO NOT plug with wet hands as electrical shock could occur.

- Please make sure the Water Tray is in place before use. Please empty the water tray after each use. (Fig. 1)

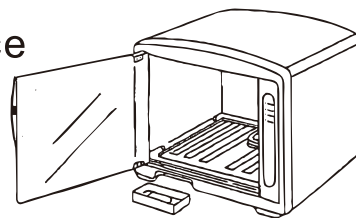


Fig. 1

- Place cleaned dinnerware onto the racks and utensils into the utensil tray. Be sure to dump out excess water and place bowls/glasses/cups with openings facing down. (Fig. 2)

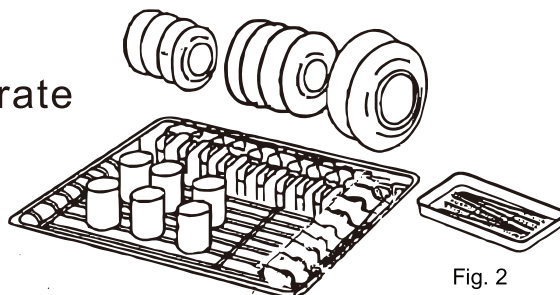


Fig. 2

- Close the door. Unit will not operate with door open.

TIMER/ON button

- Press to select 10, 20, 40 or 80 minutes operation.
- When the operating time has been reached, unit will automatically shut off.

POWER button

- During operation, press the Power button to turn unit off.

Note: Opening the door during operation will turn off power automatically to ensure user's safety. To resume operation, please turn unit on again and select desired time.

CLEANING / MAINTENANCE / STORAGE

Be sure unit is off and unplugged before cleaning. Wait at least 10 minutes for the unit to cool.

- After each use, wipe the inside, including the reflective panel, with a soft damp cloth.
- After long period of use, water impurities may accumulate on the inside surface and leave water marks or rust. Clean with wet cloth and neutral detergent. Wipe clean with dry clean cloth. Do not use scouring pad or other rough material for fear of scratch.
- Clean the glass door by wiping with soft cloth and neutral detergent. Wipe dry.
- Removable rack and tray can be washed with water and neutral detergent. Allow to dry before returning to unit.
- Water tray should be emptied after each use. Clean with water and neutral detergent.
- If unit is not to be used for a long time. Clean the unit as stated above. Be sure the interior is completely dry and keep in a cool, dry place.



If this product is found to be faulty as a result of faulty materials or workmanship within one year from date of purchase, it will be repaired free of charge.

This guarantee is subject to the following terms:

- Sunpentown must be notified of the fault.
- Proof of purchase must be presented to Sunpentown's nominated representative.
- The warranty will be void if the product is modified, misused or repaired by an unauthorized person.
- The warranty after repair will not be extended beyond the original one-year period.
- All replacement parts will be new or reconditioned.
- Parts, which are replaced, become the property of Sunpentown.
- The warranty applies for the use of the product in the USA only.

What is NOT COVERED:

- Warranty does not include freight charges.
- Damage due to installation error, product abuse and/or misuse.
- Incidental or consequential damage caused by possible defects with this product.
- Labor cost incurred for the installation and/or removal of a possible defective unit.
- Damage to product caused by improper power supply voltage, accident, fire, floods or acts of nature.
- Failure of product resulting from unauthorized modifications to the product.
- Improper installation or failure to perform the necessary maintenance.
- Normal wear and tear on parts or replacement of parts designed to be replaced.
- Damage to personal property from use of product.
- Replacement or repair of household fuses, circuit breakers, wiring or plumbing.

This GUARANTEE is in addition to your Statutory Rights

SUNPENTOWN INTERNATIONAL INC.
14625 Clark Ave. City of Industry, CA 91745
Tel: 800-330-0388
service@sunpentown.com
www.sunpentown.com