

125x170mm



Your Guarantee

If this product is found to be faulty as a result of faulty materials or workmanship within one year from date of purchase, it will be repaired free of charge.

This guarantee is subject to the following terms:

- Sunpentown must be notified of the fault.
- Proof of purchase must be presented to Sunpentown's nominated representative.
- The warranty will be void if the product is modified, misused or repaired by an unauthorized person.
- The warranty after repair will not be extended beyond the original one-year period.
- All replacement parts will be new or reconditioned.
- Parts, which are replaced, become the property of Sunpentown.
- The warranty applies for the use of the product in the USA only.

What is NOT COVERED:

- Warranty does not include freight charges.
- Damage due to installation error, product abuse and/or misuse.
- Incidental or consequential damage caused by possible defects with this product.
- Labor cost incurred for the installation and/or removal of a possible defective unit.
- Damage to product caused by improper power supply voltage, accident, fire, floods or acts of nature.
- Failure of product resulting from unauthorized modifications to the product.
- Improper installation or failure to perform the necessary maintenance.
- Normal wear and tear on parts or replacement of parts designed to be replaced.
- Damage to personal property from use of product.
- Replacement or repair of household fuses, circuit breakers, wiring or plumbing.

This GUARANTEE is in addition to your Statutory Rights

SUNPENTOWN INTERNATIONAL INC.
14625 Clark Ave. City of Industry, CA 91745
Tel: 800-330-0388
service@sunpentown.com
www.sunpentown.com

SD-300ML



MINI DEHUMIDIFIER



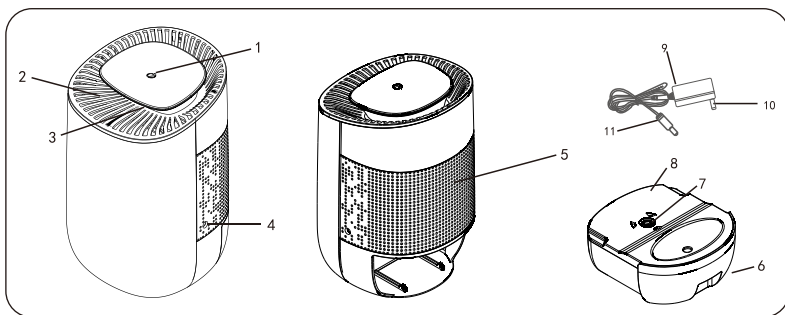
SD-300ML

INSTRUCTION MANUAL

Please read these instruction thoroughly and keep it in a safe place for future reference

FEATURES

This is a modern, light weight, and quiet dehumidifier that uses the Peltier effect to keep your space cool and comfortable. It is ideal for rooms with poor ventilation and dehumidifies at a rate of 300ml of water/day.



- | | | |
|----------------------|----------------------|--------------|
| ① ON/OFF Button | ② Air Outlet | ③ Indicator |
| ④ Power Socket | ⑤ Air Inlet | ⑥ Water Tank |
| ⑦ Hydraulic Cut-off | ⑧ Water Tank Cover | ⑨ Adaptor |
| ⑩ AC Power Connector | ⑪ DC Power Connector | |

SPECIFICATIONS

Model No.: SD-300ML
Size: 146*146*227mm
Input: DC9V 2.5A
Power: 23W
Volume: 600ml
Working Capacity: 300ml/D (30°C, RH80%)
Applicable Ambient Temperature: 5-50°C
Coverage Area: < 15m²

OPERATING INSTRUCTIONS

• **On/Off**

1. Connect the power source to the unit and plug into a wall socket.
2. Press the ON/OFF button to turn on the unit.
3. Press the ON/OFF button to turn off the unit.

• **Indicator Light (Water tank level)**

1. Hold ON/OFF button for 3 seconds to turn indicator on or off.

NOTE: The unit will automatically stop dehumidifying when frost is detected on the surface of the cooling plate and the defrost function will be activated. Once defrost is complete, the unit will resume dehumidifying automatically.

INDICATOR LIGHT

1. The water tank indicator light will turn RED when the 600ml capacity is reached. The unit has a daily working capacity of 300ml.
2. When the indicator light turns RED, the unit will automatically shut off.
3. Please POWER OFF the unit before attempting to empty the water tank. Be careful to not tilt the tank when it is full to avoid water spillage.
4. Slide the water tank cover off, empty the water, then slide the cover back on. Reinsert the water tank into the unit to operate as instructed.

CLEANING

1. Please POWER OFF the unit and unplug from the wall socket.
2. Clean the surfaces of the unit, air inlet, and water tank with a soft cloth.

WARNINGS

1. Please power down the unit when the unit is not in use.
2. DO NOT store the power source in a wet/damp area.
3. Always keep the unit in its upright position to avoid leaks
4. Check to make sure the air inlet/outlet are clear from blockage.